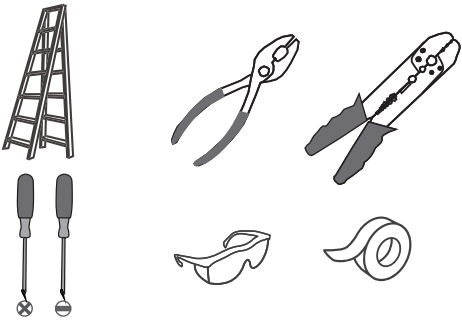
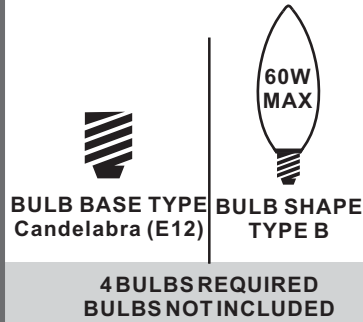


**Tools Required**



**Light Source**



**Warnings and Cautions**

Turn off the electricity at the circuit breaker before installation. Consult a licensed electrician if in doubt about installation.

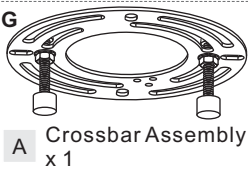
Turn off power to the fixture and allow the bulbs to cool before replacing.

**Package Contents**

**Preparation:** Identify and inspect all parts before beginning the installation.

Missing or damaged parts? Contact your original place of purchase.

**PARTS BAG**



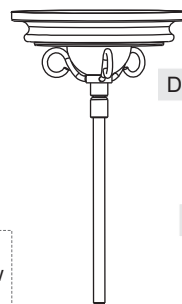
**A** Crossbar Assembly x 1



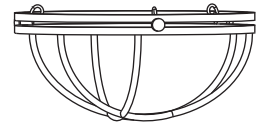
**B** Outlet Box Screw x 2



**C** Wire Connector x 3

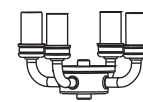


**D** Ceiling Canopy x 1



**F** Cage x 1

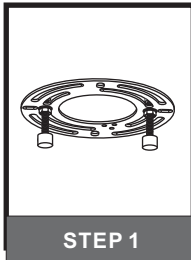
**E** Socket Assembly x 1



**G** Arm x 3

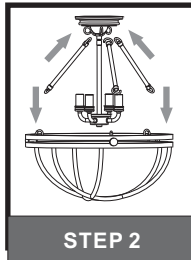
**Table of Contents**

**Crossbar Assembly**



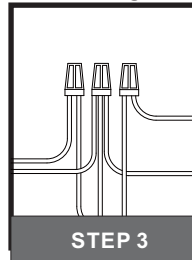
**STEP 1**

**Socket Assembly**



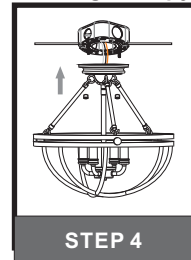
**STEP 2**

**Wiring**



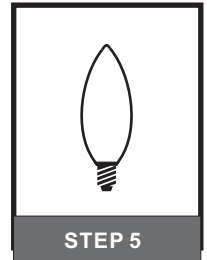
**STEP 3**

**Ceiling Canopy**



**STEP 4**

**Bulb**

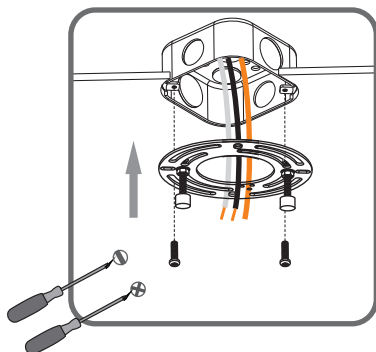


**STEP 5**

**STEP 1**

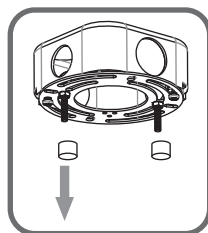
**1**

**Step 1**  
Install crossbar assembly

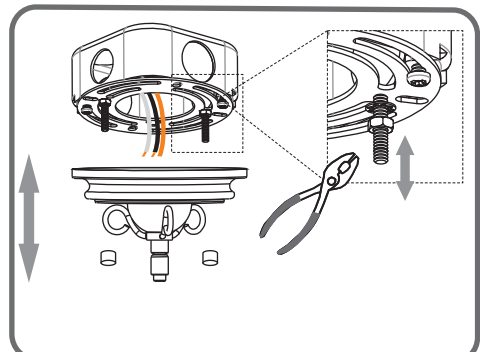


**2**

**Step 2 - 3**  
Test fitting ceiling canopy to mounting screws

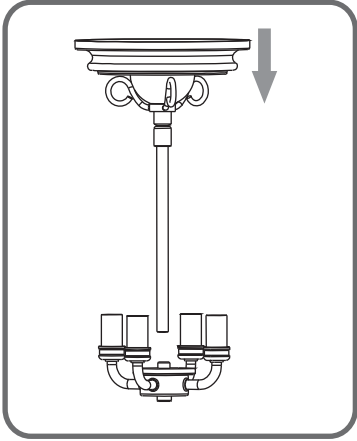


**3**

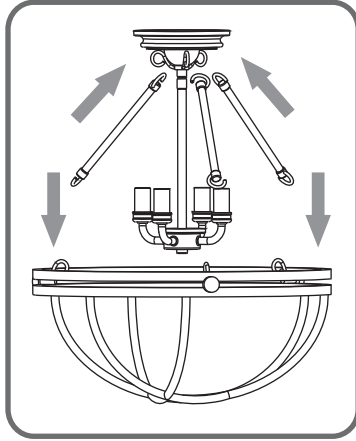


**STEP 2**

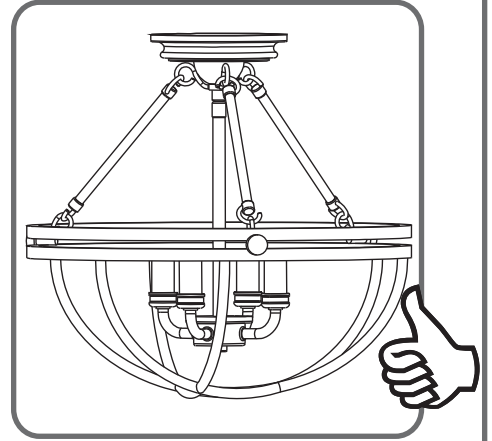
1



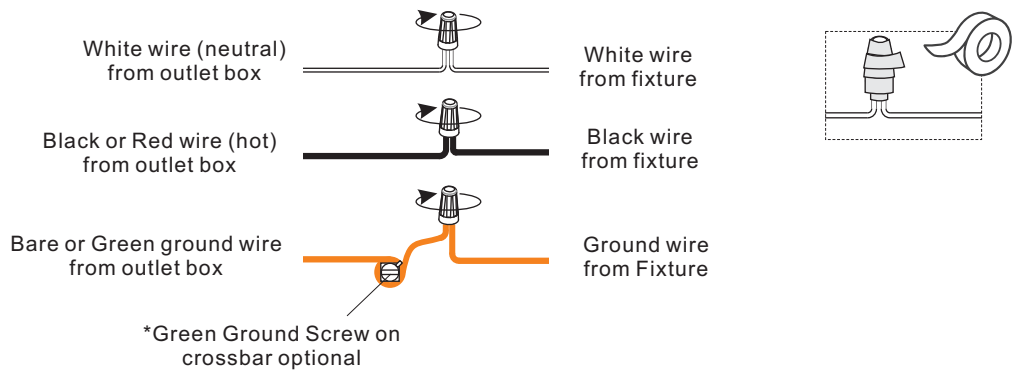
2



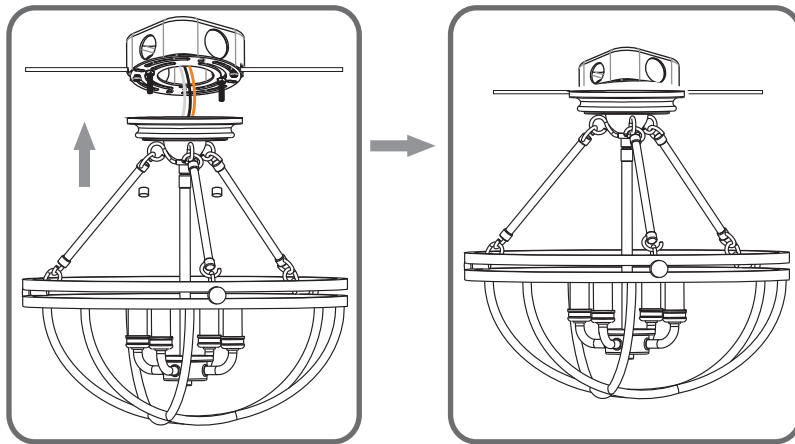
3



**STEP 3**



**STEP 4**



**STEP 5**

