

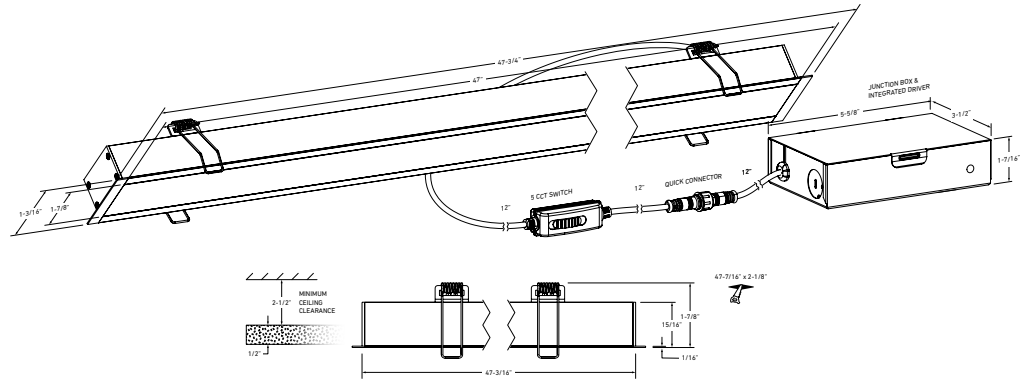
MODEL NAME **LNR48-CC BOULEVARD**

48" Architectural Recessed Light

The Boulevard series, an architectural recessed lighting channel that can be installed in a wide range of commercial and residential environments. Add depth to ceiling planes with a visible separation, or seamlessly daisy-chained to create dramatic effects.



PROJECT:	TYPE:
DATE:	QTY:
NOTES:	

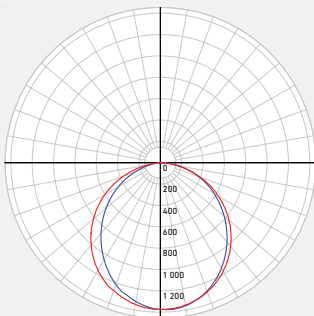


QUICK SPECS

SIZE	WATTS	DELIVERED LUMENS*	COLOR °T 5CCT	CRI	VOLTAGE	BEAM ANGLE	FINISH
48"	40W	3760lm	2700K 3000K 3500K 4000K 5000K	90	120V	108°	○ White

*Lumen output measured at 3000K

LIGHT DISTRIBUTION



CONSTRUCTION	Lens Frosted	Type of optics Flat lens	Type of LED SMD
	Lens material PC	Housing material Aluminum extrusion	Cut hole size 47-7/16" x 2-1/8"

RATINGS	Placement Indoor	Lifespan 50,000 hrs.	FT rating FT6
	Location Dry	Certifications ETL, FCC, ICES, ES, IC, ASTM E283-04, T20 T24	Operating temperature -20° to 40° C

WHAT'S IN THE BOX

- LED recessed fixture
- Junction box
- Push-in wire connectors
- Mounting hardware
- Instruction sheet

ACCESSORIES

- [RFP-LNR48](#)
Drilling Plate
- [LNACC-L16FT](#)
16-foot lens for Boulevard series pendants and recessed linears

ADAPTERS

- [REC-EXT108](#)
108" extension cord for recessed fixtures
- [REC-EXT230](#)
230" extension cord for recessed fixtures



ELECTRICAL DETAILS	Input voltage 108-132V	Output current 1000mA	Power factor 90%	Driver type Constant current
	Output voltage 40-44V	LED model # 2835	THD harmonic distortion <30%	Binning type 3 SDCM

FEATURES	Every fixture includes a junction box with an integrated driver	Superior LED performance and lifespan	Frosted lens Back-lit technology	Switch-selectable CCT: 2700K/ 3000 K/ 3500 K/ 4000 K/ 5000 K
	Can be daisy chained	Minimal heat emission		

WARRANTY	DALS offers a 5-year warranty from the date of purchase which covers repairs or replacement of defective parts of the housing, optics, and electronics. To contact DALS customer service call 1-877-430-1818 or send an e-mail to info@dals.com .
-----------------	--

RECOMMENDED DIMMER LIST*

BRAND	MODEL #	DIMMER SPECS	GRADE	DIMMING RANGE (%)		MAX LOAD
				MIN	MAX	
Dals	SM-DIMSW Smart Dimmer	Triac, 250W LED/CFL	Compatible	3	100	6
Lutron	DVCL-153PR-WH-C	Triac, 150 W Dimmable CFL/LED	Compatible	2	99	4
Lutron	STCL-153PH-WH-C	Triac, 150 W Dimmable CFL/LED	Compatible	0	100	4
Lutron	DVWCL-153PH-WHC	Triac, 150 W Dimmable CFL/LED	Compatible	2	100	4
Lutron	MACL-153MRHW-WHC	Triac, 150 W Dimmable CFL/LED	Compatible	0	100	4
Lutron	DVELV-300P-WH	300W electronic low voltage dimmer	Compatible	4	96	8
Lutron	Caseta PD-6WCL-WH-R-C	Triac, 300W Dimmable CFL/LED	Compatible	1	100	8
Lutron	Caseta PD-10NXD-WH	Triac, LED—up to 250 W	Compatible	0	100	6
Leviton	DSM10	Triac, 450W Dimmable CFL/LED	Compatible	14	100	11
Leviton	6674	Triac, 150 W Dimmable CFL/LED	Compatible	4	100	4
Leviton	IPL06-10Z	Triac, 150 W Dimmable CFL/LED	Compatible	7	100	4
Leviton	DSL06-752	Triac, 150 W Dimmable CFL/LED	Compatible	7	100	4
Leviton	D26HD-742-1RW	Triac, 300W LED/CFL	Compatible	6	100	8
Legrand	RHCL453PNICCV4	Triac, 450W Dimmable CFL/LED	Compatible	6	100	11
Legrand	ADTP703TUM4	Triac, 450W Dimmable CFL/LED	Compatible	6	99	11
Legrand	ADPD453LM2	Triac, 450W Dimmable CFL/LED	Compatible	22	100	11
Legrand	RHL373PW	Triac, 250W LED	Compatible	5	100	6
Control 4	C4-APD120-WH	ELV, 120W LED	Compatible	0	100	3
Control 4	C4-FPD120-WH	Triac, 200W LED	Compatible	0	100	5

* Minimal buzzing noise may occur with some dimmers