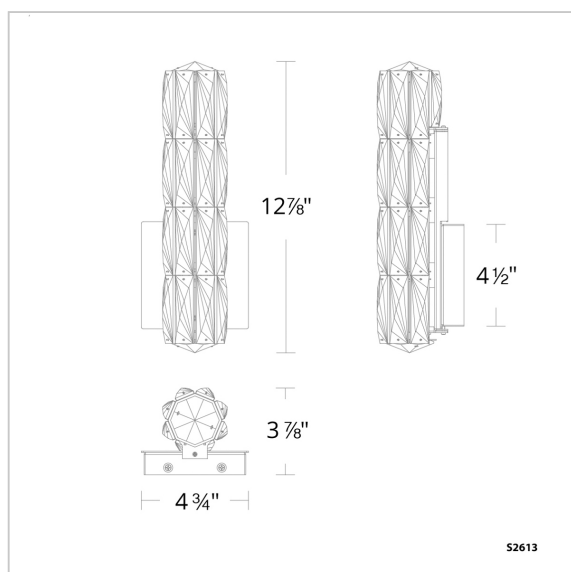


# Verve LED

S2613



## LINE DRAWING



## DESCRIPTION

A cylinder of Swarovski crystals with a resplendent backlit style presents VERVE with an energizing presence. This LED luminaire scatters bright starbursts of light, reimagining the contemporary with extraordinary design ingenuity.

## FEATURES

- Built in color temperature adjustability. Switch from 3000K/3500K/4000K. Switch may be installed in junction box.
- Can be mounted on wall in all orientations
- Driver concealed within the fixture

## CRYSTAL OPTIONS



Radiance  
Crystal  
(R)

## FINISH OPTIONS



Polished  
Stainless  
Steel  
(-401)

## SPECIFICATIONS

|                     |                    |
|---------------------|--------------------|
| <b>Light Source</b> | LED                |
| <b>CRI</b>          | 90                 |
| <b>Dimming</b>      | ELV,0-10V, Triac   |
| <b>Standards</b>    | ETL/cETL, Title 24 |

## REPLACEMENT PARTS

87/716/1SH - Sector Heritage Crystal

| Model | Finish | Crystal | Size | CCT                   | Weight | Voltage     | Wattage | LED Lumens | Delivered Lumens |
|-------|--------|---------|------|-----------------------|--------|-------------|---------|------------|------------------|
| S2613 | - 401  | R       | 13"  | 3000K/3500K/<br>4000K | 5.5lbs | 120-277 VAC | 11W     | 720        | Up To 504        |

Example: S2613-401R