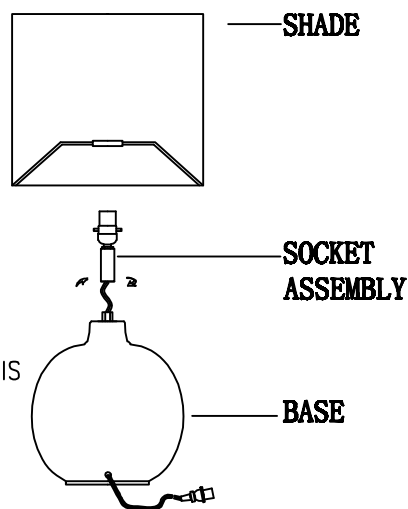


ASSEMBLY INSTRUCTION FOR L13168DS

- 1.FASTEN SOCKET ASSEMBLY ONTO BASE,BE CAREFUL NOT TO TWIST POWER CORD AND TIGHTEN SECURELY.
- 2.PLACE SHADE ONTO SOCKET
- 3.SCREW BULB INTO SOCKET,BULB MAX 60W (NOT INCLUDED).

IMPORTANT SAFETY INSTRUCTIONS

THIS PORTABLE LUMINAIRE HAS A POLARIZED PLUG (ONE BLADE IS WIDER THAN THE OTHER) AS A SAFETY FEATURE TO REDUCE THE RISK OF ELECTRIC SHOCK .THIS PLUG WILL FIT IN A POLARIZED OUTLET ONLY ONE WAY. IF IT DOES NOT FIT FULLY IN THE OUTLET,REVERSE THE PLUG .IF IT STILL DOES NOT FIT,CONTACT A QUALIFIED ELECTRICIAN.NEVER USE WITH AN EXTENSION CORD UNLESS THE PLUG CAN BE FULLY INSERTED.DO NOT ALTER THE PLUG.



ASSEMBLY INSTRUCTION FOR L13168DS

- 1.FASTEN SOCKET ASSEMBLY ONTO BASE,BE CAREFUL NOT TO TWIST POWER CORD AND TIGHTEN SECURELY.
- 2.PLACE SHADE ONTO SOCKET
- 3.SCREW BULB INTO SOCKET,BULB MAX 60W (NOT INCLUDED).

IMPORTANT SAFETY INSTRUCTIONS

THIS PORTABLE LUMINAIRE HAS A POLARIZED PLUG (ONE BLADE IS WIDER THAN THE OTHER) AS A SAFETY FEATURE TO REDUCE THE RISK OF ELECTRIC SHOCK .THIS PLUG WILL FIT IN A POLARIZED OUTLET ONLY ONE WAY. IF IT DOES NOT FIT FULLY IN THE OUTLET,REVERSE THE PLUG .IF IT STILL DOES NOT FIT,CONTACT A QUALIFIED ELECTRICIAN.NEVER USE WITH AN EXTENSION CORD UNLESS THE PLUG CAN BE FULLY INSERTED.DO NOT ALTER THE PLUG.

