

Please go to [www.quoizel.com](http://www.quoizel.com) for product cleaning tips. Go to the **Care + Maintenance** selection.

**Tools Required:** Flathead screwdriver, Phillips screwdriver, pliers, wire cutters, wire strippers, electrical tape, safety glasses.

**Light Source:** (1) A19 Medium Base Bulbs 100W Maximum, Medium Base T10 Vintage Bulbs are recommended, bulbs not included.

**Estimated Assembly Time:** 30-45 minutes

**Preparation:** Identify and inspect all parts before beginning installation. Check package content list and diagrams below to be sure all parts are present. If any parts are missing or damaged, do not attempt to assemble, install, or operate the fixture. Missing Parts? Contact your original place of purchase.

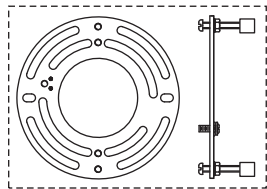
### **⚠ Warnings and Cautions**

Turn off electricity at circuit breaker or main fuse box before installation. Consult a licensed electrician if in doubt.

These instructions are provided for your safety. It is very important you read them completely before installing the fixture. We strongly recommend that a licensed, professional electrician perform the installation.

Disconnect fixture from power source before replacing bulbs. Make sure bulbs are given sufficient time to cool before removal.

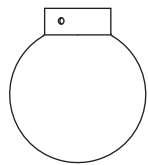
### **Package Contents**



**A** Crossbar Assembly x 1



**B** Lock Screw x 2



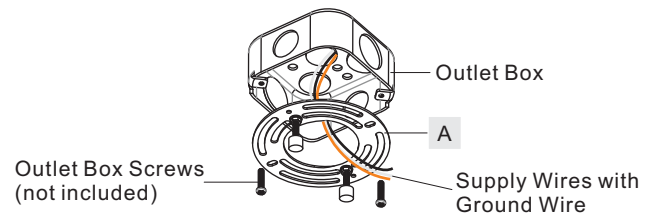
**C** Glass Shade x 1



**D** Fixture Body x 1

### **STEP 2 – Installing the Crossbar Assembly**

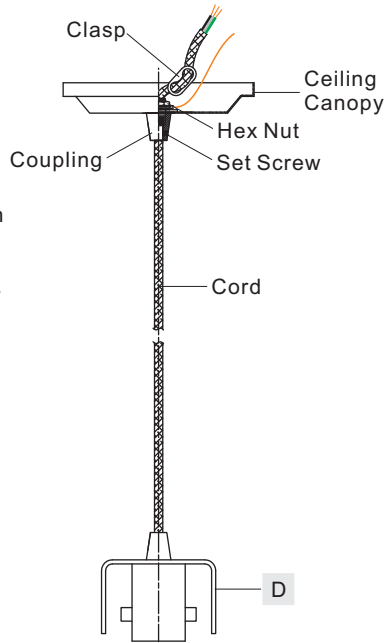
A. Pass the supply wires from outlet box through the Crossbar Assembly (A). Attach the Crossbar Assembly (A) to the Outlet Box with the head of the Green Ground Screw facing you. Secure the Crossbar Assembly (A) with Outlet Box Screws (not included). Tighten until snug.



**Figure 2**

### **STEP 1 - Adjust Fixture Height**

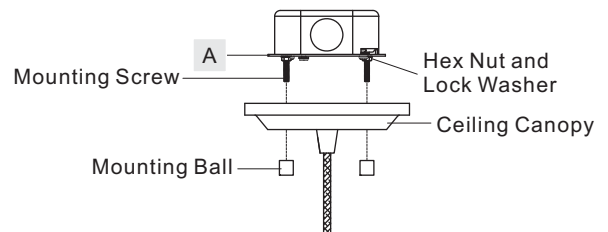
- Unscrew the set screw on the coupling underside of the ceiling canopy. Adjust the cord length in or out of the ceiling canopy according to your desired hanging height. Once your desired hanging height is achieved, tight the set screw on the coupling until snug.
- Move the clasp close to the hex nut inside of the ceiling canopy.



**Figure 1**

### **STEP 3 – Test Fitting Ceiling Canopy to Crossbar Assembly**

A. Remove mounting balls from the Crossbar Assembly (A). Fit the ceiling canopy and Fixture Body (D) to the Crossbar Assembly (A) and secure with mounting balls. Note: The ceiling canopy should be snug against the ceiling and the mounting balls. If not, adjust the length of the nipple on the Crossbar Assembly (A) by unscrewing the preassembled hex nut and lock washer and then screwing the mounting screws in or out of the crossbar until the correct length is achieved. Once the ceiling canopy and Fixture Body (D) is secure, remove the mounting ball and Fixture Body (D) and proceed to Step 4.



**Figure 3**

### STEP 4 – Make Wire Connections

- Use standard wire connectors (not included) to make all wire connections. Twist connectors until wires are tightly joined together. Wrap each connection with approved electrical tape and carefully stuff all the connected wires into the Outlet Box.
- If the electrical wire is going to be cut shorter than provided, strip back the clear wire covering the 3 fixture wires as far as you need to. This will expose each fixture wire individually. Strip each end of 3 fixture wires.

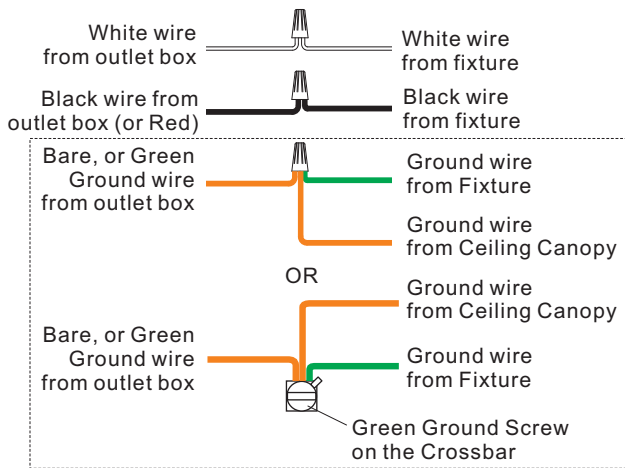


Figure 4

### STEP 5 – Install the Fixture

- Carefully tuck all wires into the outlet box and position the ceiling canopy and Fixture Body (D) over the outlet box. Align the holes in the ceiling canopy with the mounting screws, then attach the ceiling canopy and Fixture Body (D) using the previously removed mounting balls. Hand tighten until snug.

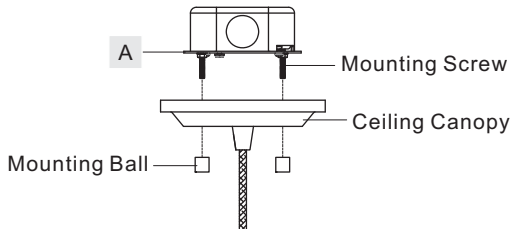


Figure 5

### STEP 6 – Install Bulbs and Shades

- Insert bulbs onto sockets and screw snugly into place.
- Place the Shade (C) over the socket. Pass Lock Screws (B) through the holes on the holder and the neck of the Shade (C). Thread Lock Screws (B) into the mounting holes on the side of the socket cup. Hand tighten until snug to secure the Shade (C).

Your fixture is now assembled and ready to use. Enjoy!

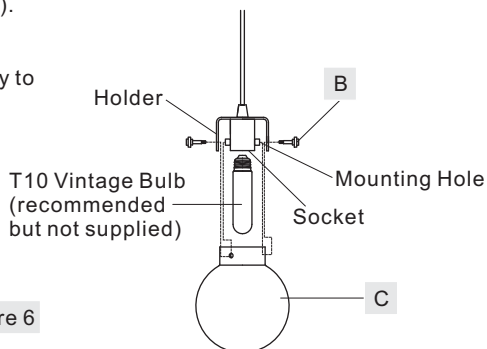
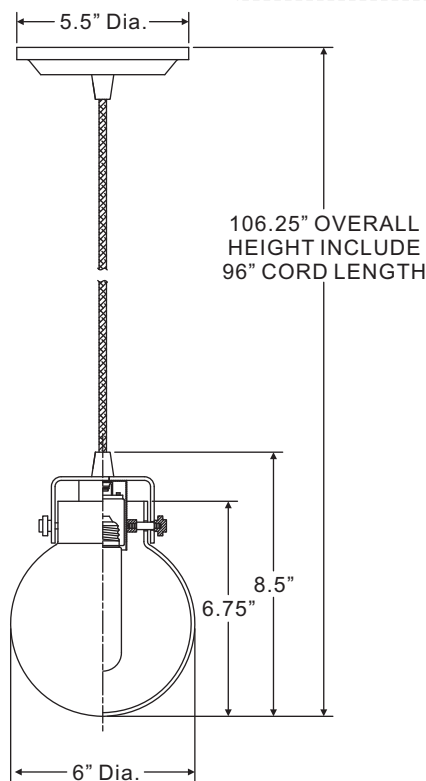
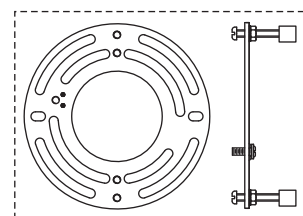


Figure 6

SDL1506WS

FINISH: WEATHERED BRASS



NOTE: ALL DIMENSIONS ARE ROUNDED UP TO THE NEAREST 1/4"