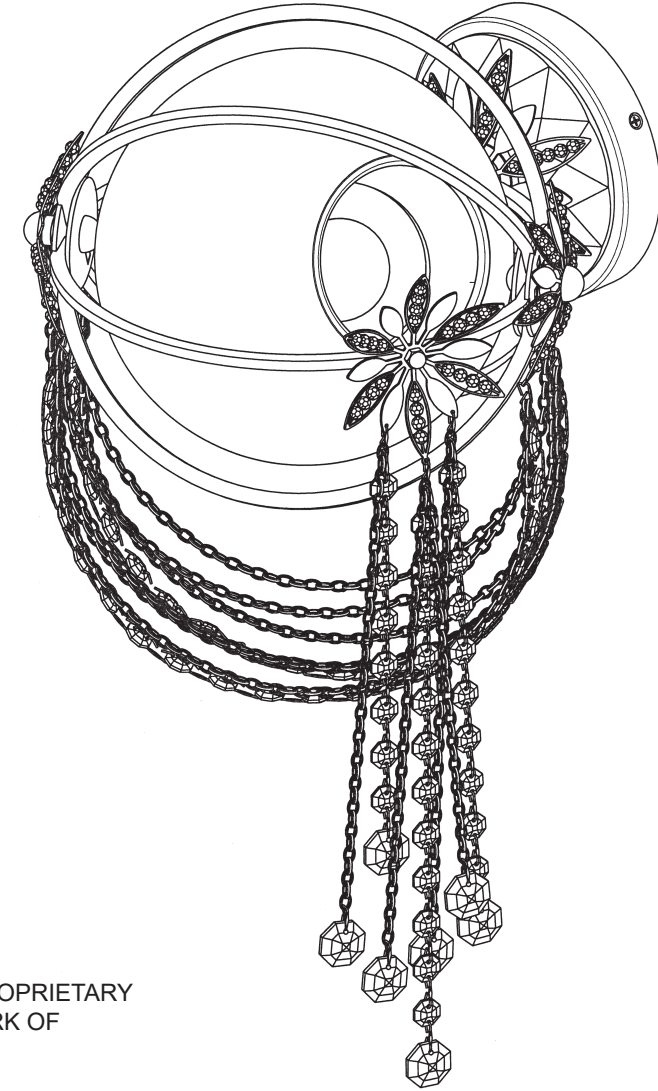


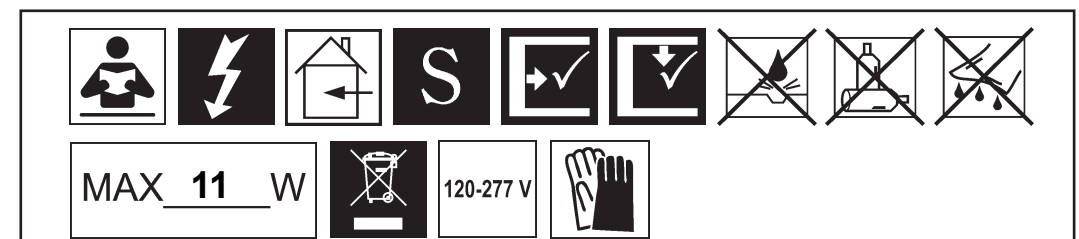
FOREVER  
SCHONBEK

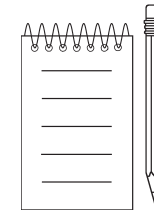
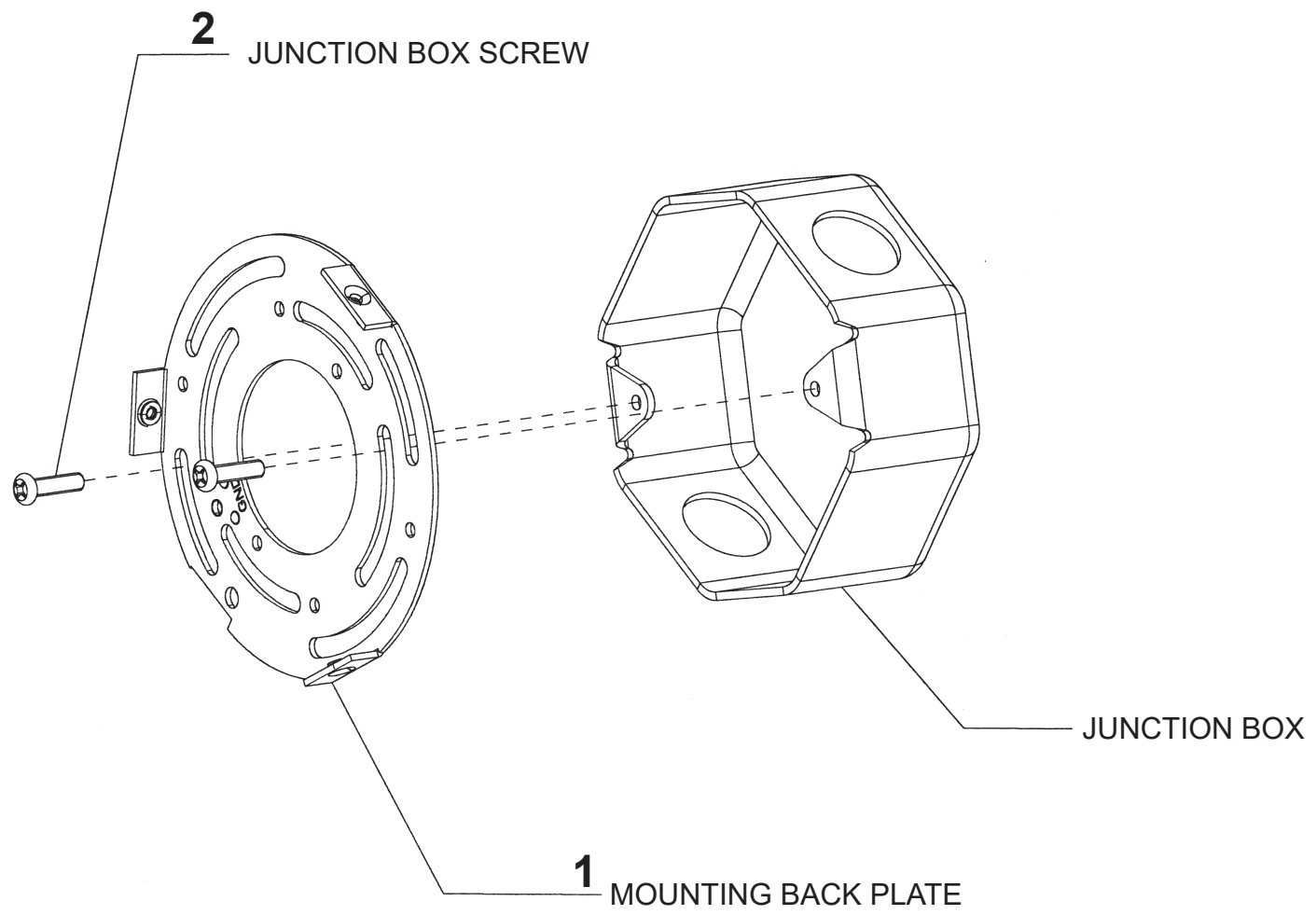
Revere  
SJ7912- \_\_ \_\_ R

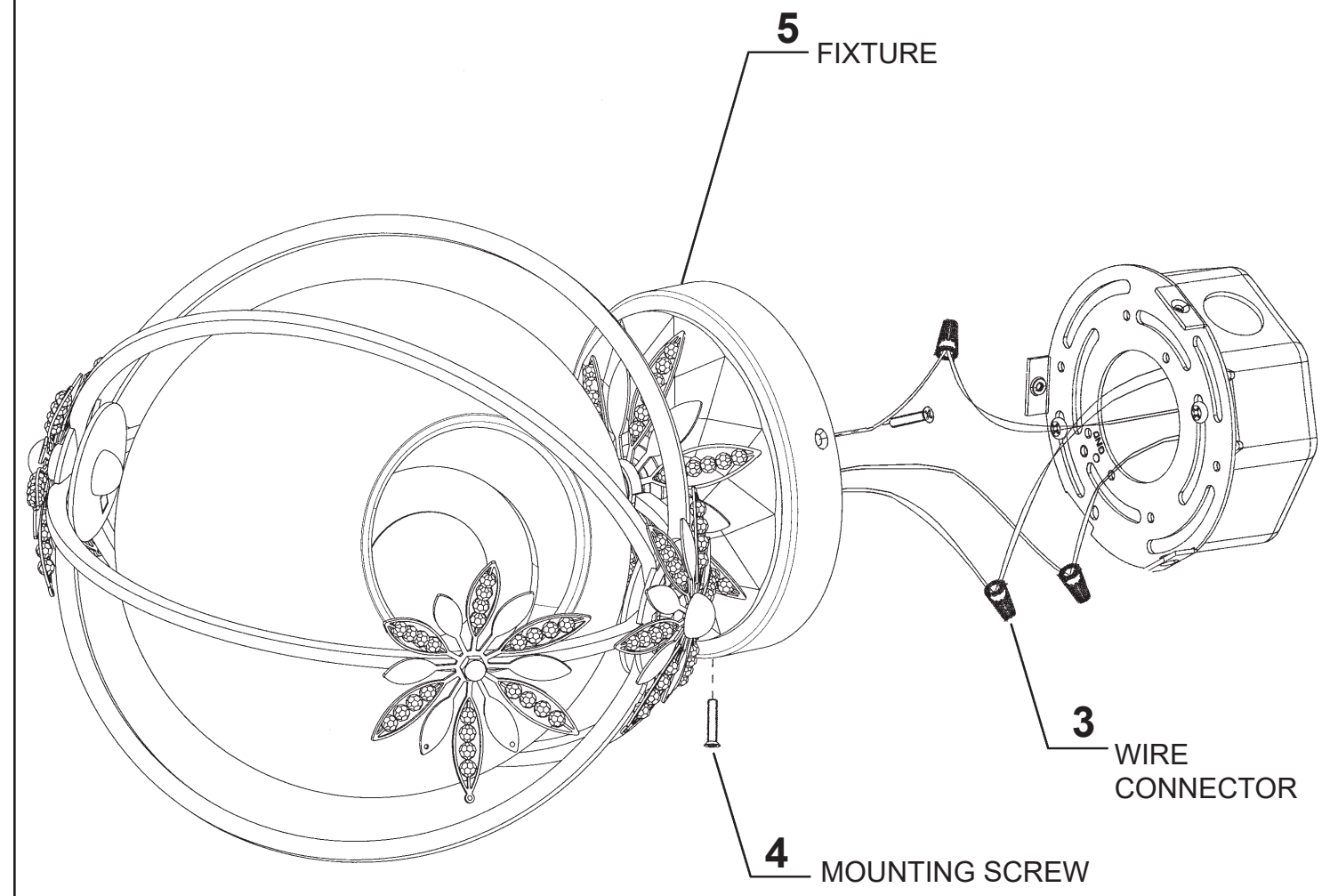
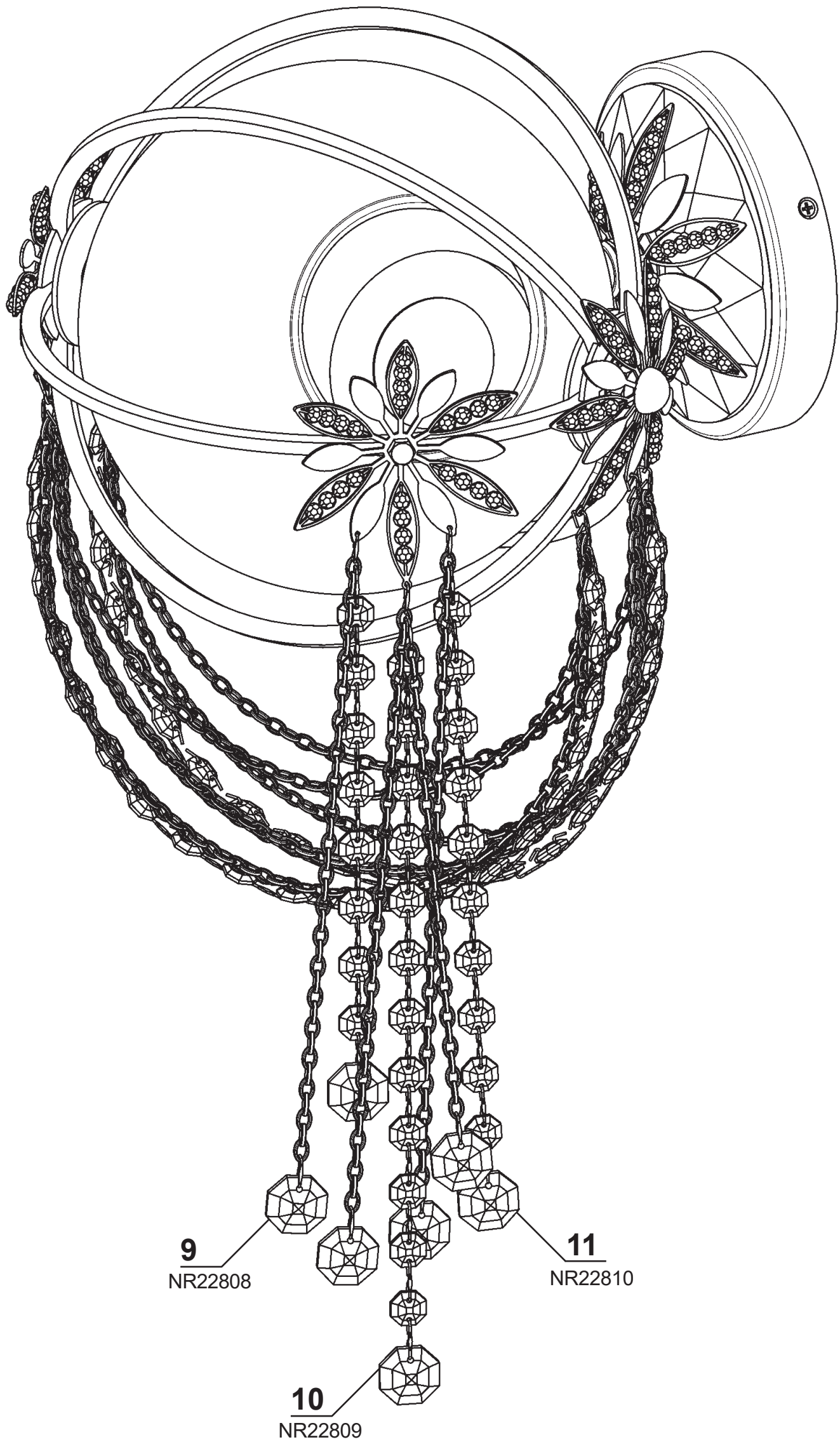


THIS DESIGN IS THE PROPRIETARY  
TRADE DRESS/TRADEMARK OF  
W SCHONBEK LLC.

FOREVER  
SCHONBEK







**\*\*IMPORTANT NOTE\*\***  
 IF MOUNTING FIXTURE ON A  
 CEILING, TURN THIS FLOWER  
 SO THAT THE TRIM HOLES ARE  
 FACING DOWNWARD.

