



CAL LIGHTING

3625 E. Philadelphia St. Ontario CA. 91761 • Tel: 909.947.5200 • Fax:
909.947.5673 • www.calighting.com • service@calighting.com •
Specifications subject to change without notice

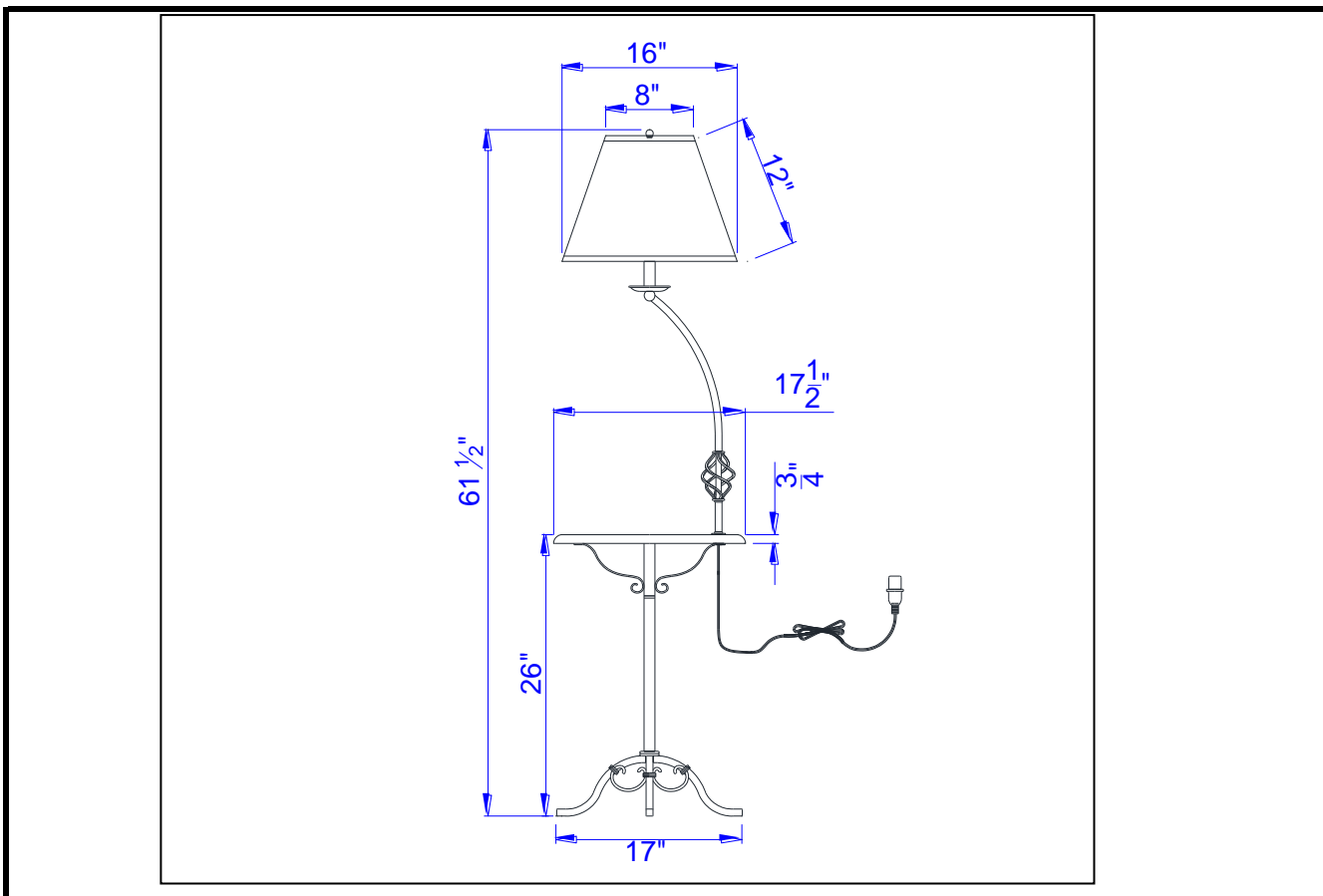
Type: _____

Project: _____

Catalog No.: _____

Lamp/Wattage: _____

Drawing:



Model No: BO-2095FL

Description: Wrought Iron Floor Lamp with Wood Tray

Material: Metal/Wood

Finish : Cherry

Height: 61 1/2"

Base Width: 17"

Wattage : 150W

Socket : Medium Base (E27)

Switch: 3-way

Bulb: Incandescent, CFL

Wire Length: 6'

Wire Color: Brown

Shade No: SH-1270

Material: Fabric

Shade size: 8"X16"X12"

Certificate : 