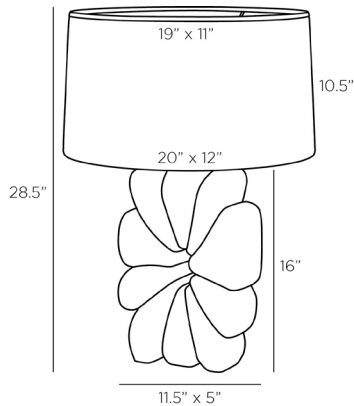


ARTERIOS

ASHLEY LAMP



PTC23-431
 H: 28.5 IN, W: 20 IN, D: 12 IN
 Ivory, Glass Stone
 Contract Suitable As Is

Petals of ivory glass stone composite gather and converge to form a floral shape reminiscent of a freshly picked daisy. The Ashley's free-form sculptural shape is left hollow in the center to intrigue the eye. The whimsical silhouette is accented with antique brass finished hardware and an oval drum shade of ivory microfiber lined in cotton. Taupe cloth cord and three-way rotary switch. Finish will vary.

APPEARANCE

Material	Cotton, Glass Stone, Microfiber, Steel
Finish	Antique Brass, Ivory, Off-White
Finish Will Vary	true
Top Coat/Sealant	true
Finial Description	Antique Brass Sphere
Finial Dimension	1" Sphere

DIMENSIONS

Shade	Top: 11 IN, Top: 19 IN, D: 12 IN, W: 20 IN, Side: 10.5 IN
Body	H: 16 IN, W: 11.5 IN, D: 5 IN
Neck	H: 2 IN
Foot Print	W: 8.5 IN, D: 5 IN
Harp	9" Antique Brass IN

WIRING

Rating	Indoor Only
Tilt Test	10 Degrees - AU
Cord	10 FT, Back of Lamp Base, Taupe Fabric
Socket	1, Antique Brass, Type A - E26
Switch	3-Way Rotary, At Socket
Maximum Watt	150
Voltage	110-120 V

CERTIFICATIONS

Certifications	Mexico Australia, United Arab Emirates, United Kingdom, United States, Canada
----------------	--

COMPLIANCY

UL/ETL	Yes
CB	Yes
RoHS	true

SHIPPING

Product Weight	44.8 LBS
Gross Weight 1	51 LBS
Shipping Box 1	H: 25.5 IN, L: 16.5 IN, W: 9 IN
Shipping Box 2	H: 34 IN, L: 21.5 IN, W: 13.5 IN

ADDITIONAL INFO

Shade Shape	Oval
Shade Trim	Rolled Edges
Shade Type	Hardback

CONTRACT

Contract Suitable	true
-------------------	------