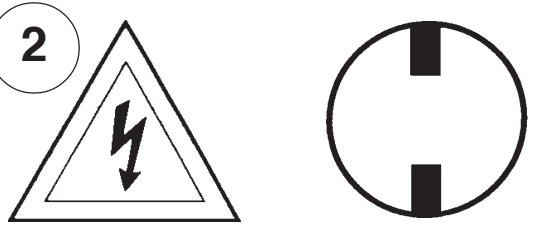


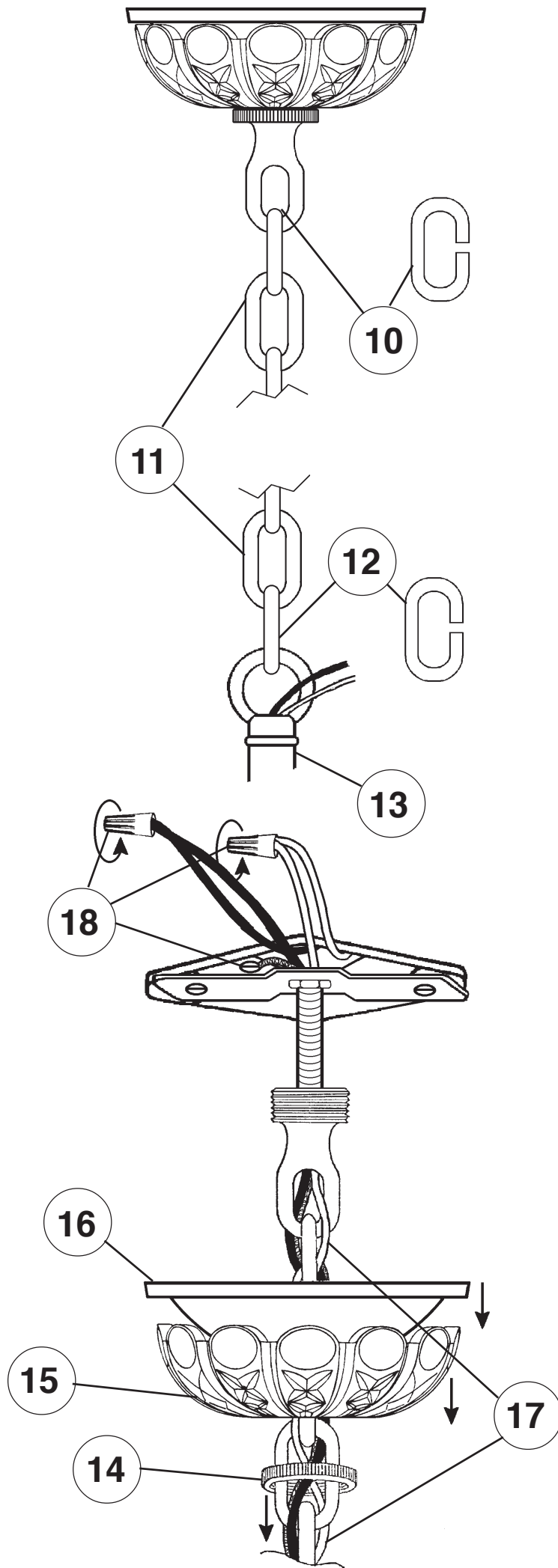
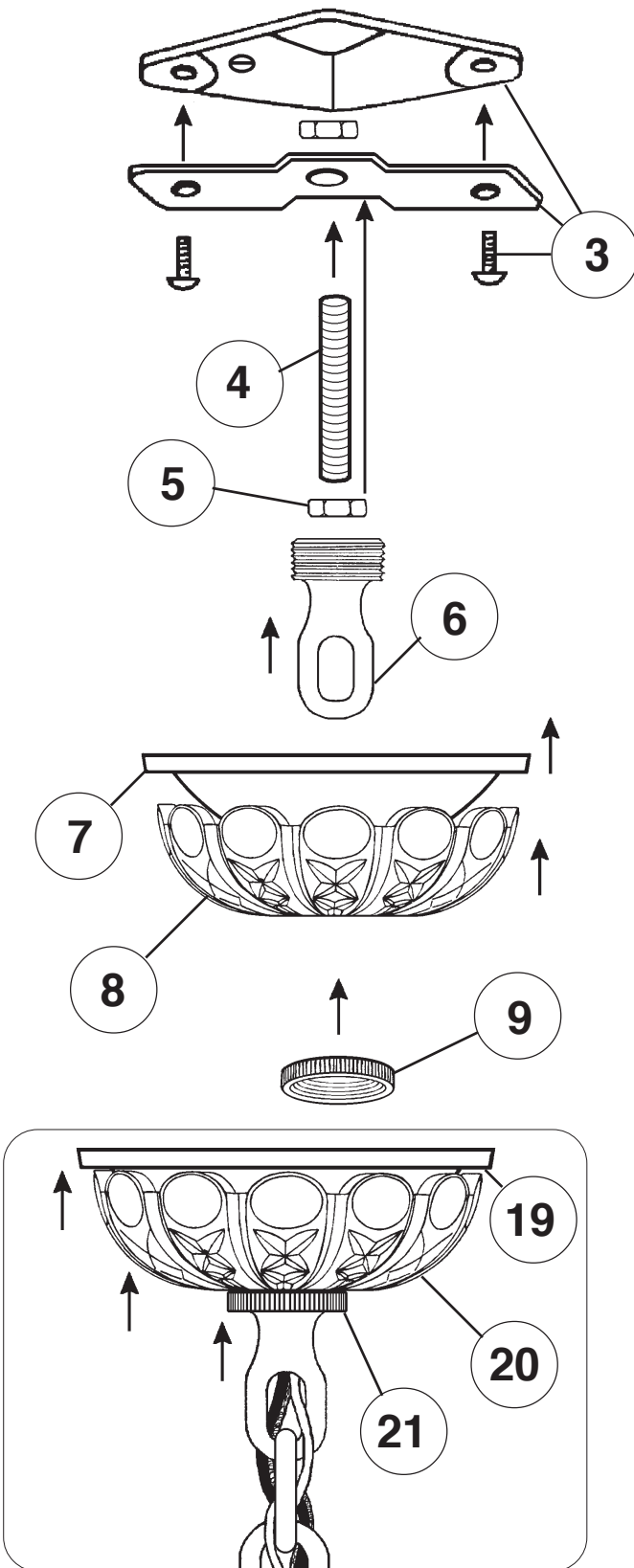
Instructions for electrician  
STEPS 2 - 21

**WARNING:**

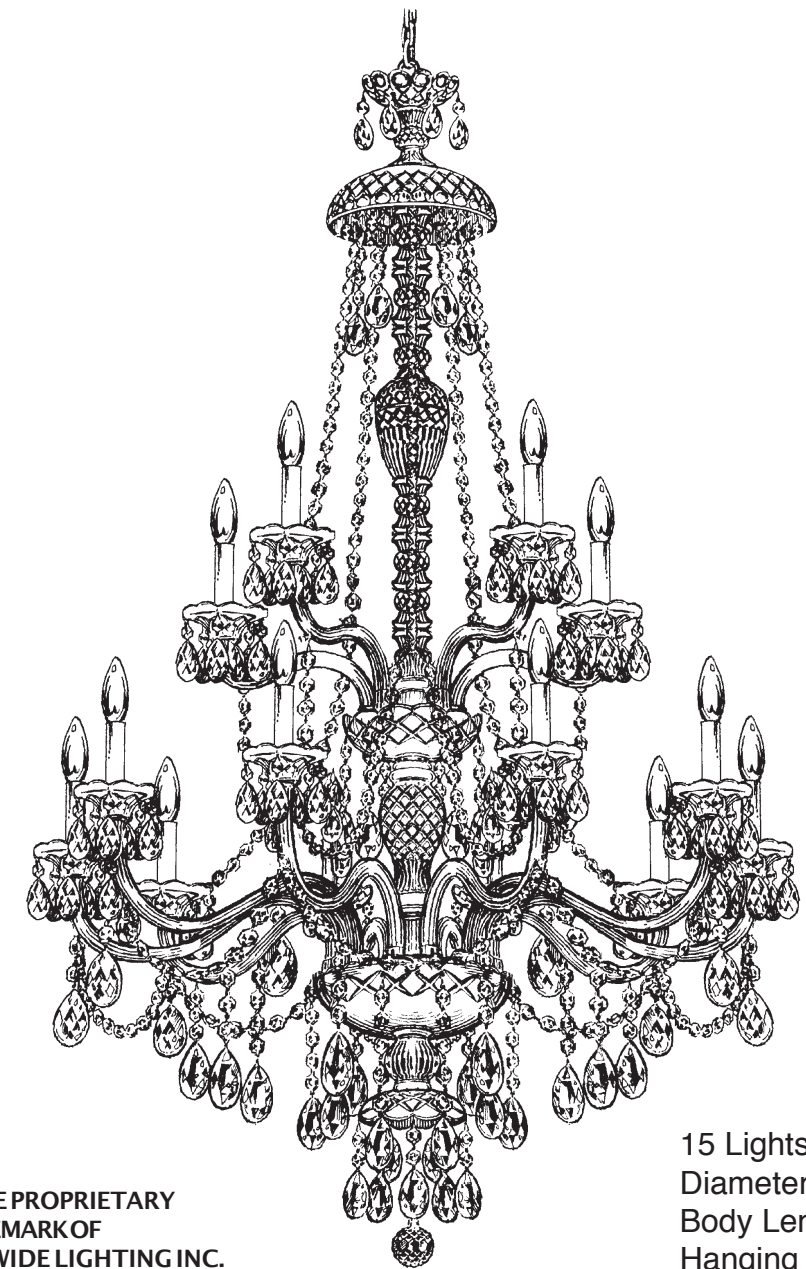
2 

Electrical Danger Turn Power Off

All electrical components must be installed by a licensed electrician in accordance with the National Electric Code and the appropriate local electrical codes.



CHANDELIER 3608-\_\_\_\_S TRIM DIAGRAM  
(Finish Option)



15 Lights  
Diameter: 32"  
Body Length: 47"  
Hanging Weight: 40 pounds

THIS DESIGN IS THE PROPRIETARY TRADE DRESS/TRADE MARK OF SCHONBEK WORLDWIDE LIGHTING INC.

**SCHONBEK®**

See diagram on back page  
Follow steps in exact order  
Save this trim diagram for future reference

**1** **IMPORTANT**  
Person who opens carton should record the following information for future service.

|          |       |   |
|----------|-------|---|
| CODE #   | _____ | Four-digit number on outside of carton. |
| PACKER # | _____ | See crystal package label.              |
| ORDER #  | _____ | See crystal package label.              |

SCHONBEK IS A WORLD LEADER IN CHANDELIER DESIGN. PATENTS INCLUDE:  
#D5,404,285, #D5,460,269, #D5,873,652, #D336,537, #D338,278 & #D339,879

# Instructions for crystal trimming

## STEPS 22 - 36

**23**

You will need 15 - C10  
25 Watts Recommended  
60 Watts Max

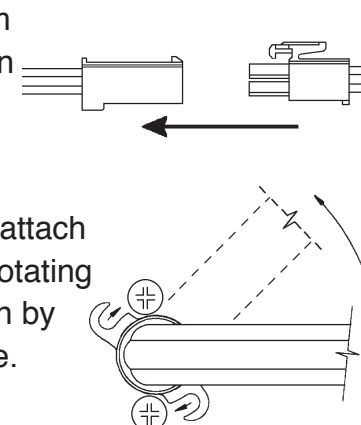
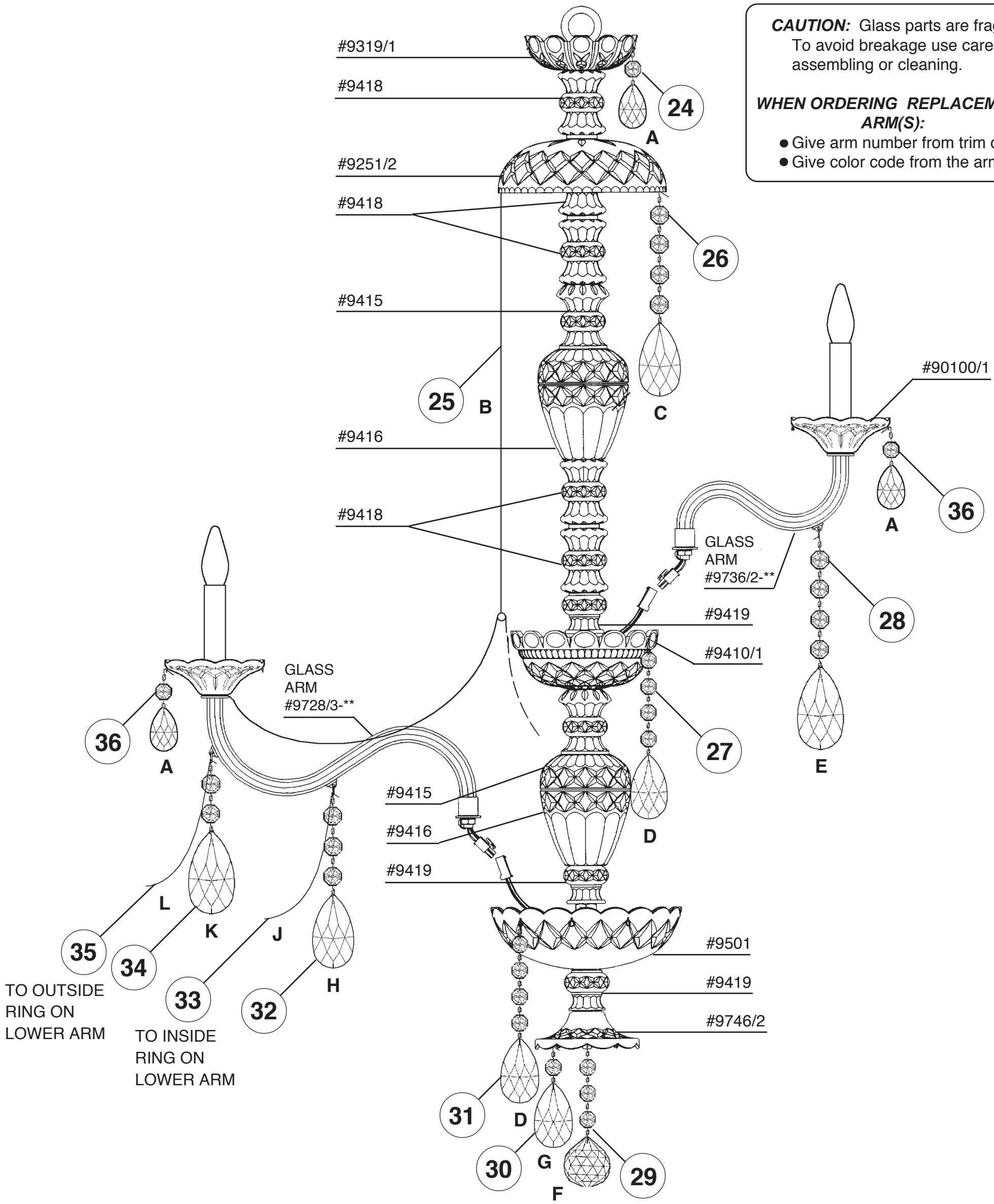
**Install bulbs and be  
sure to test fixture  
BEFORE trimming.**

**22** Connect upper arm wires to the center column using plug-in connectors. See detailed illustration.

Push wires into hole and attach arm to upper washer by rotating arm into place. Lock down by tightening screws into flange. See detailed illustration.

Repeat steps above for lower arms.

Install bobeches, bulbs, connect power and test the fixture before trimming. If any of the bulbs do NOT light - DISCONNECT POWER. Double check the wire connections.

**CAUTION:** Glass parts are fragile. To avoid breakage use care when assembling or cleaning.

**WHEN ORDERING REPLACEMENT ARM(S):**

- Give arm number from trim diagram
- Give color code from the arm itself

COLOR →

