



# CAL LIGHTING

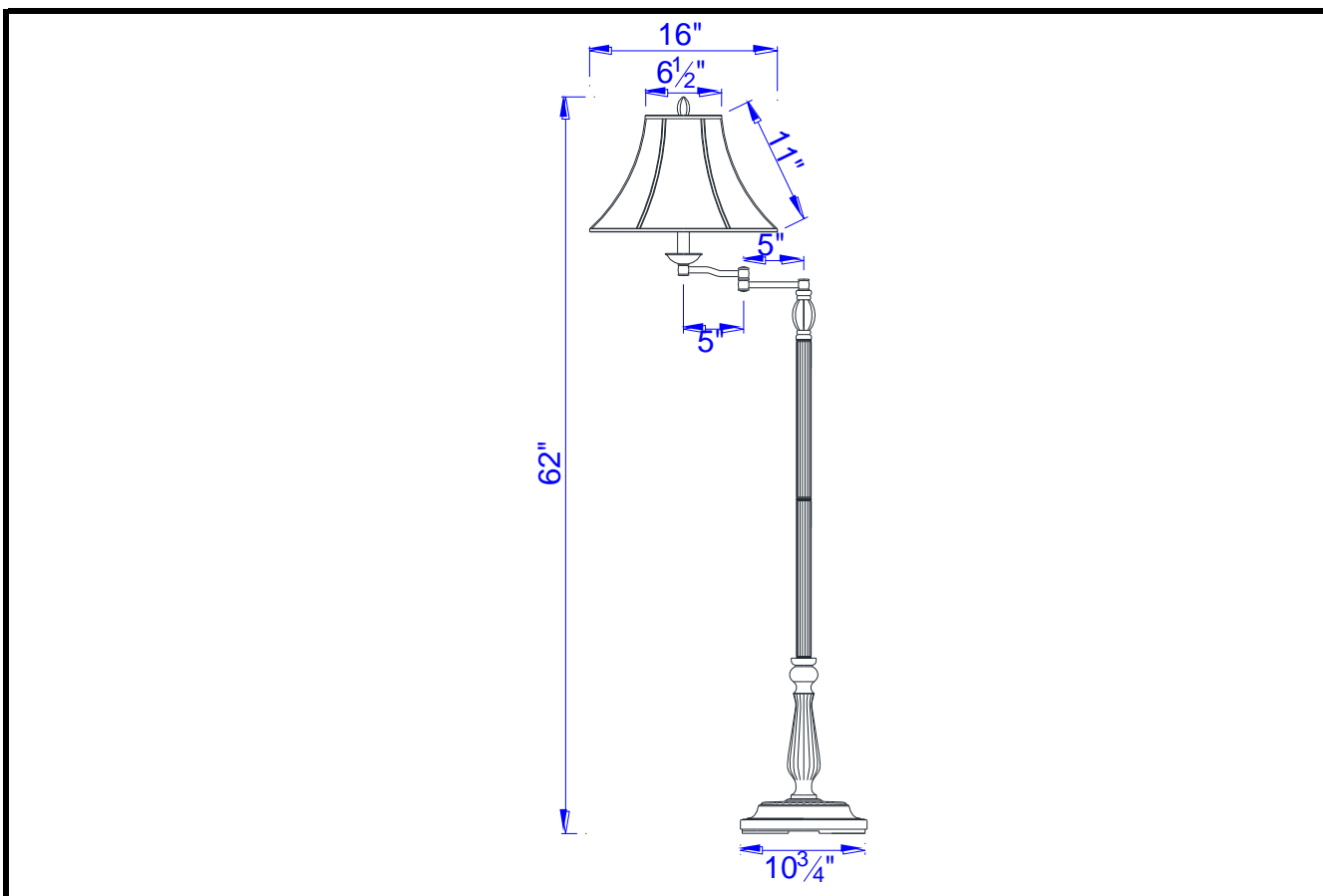
3625 E. Philadelphia St. Ontario CA. 91761 • Tel: 909.947.5200 • Fax:  
909.947.5673 • www.calighting.com • service@calighting.com •  
Specifications subject to change without notice

Type: \_\_\_\_\_

Project: \_\_\_\_\_

Catalog No.: \_\_\_\_\_

Lamp/Wattage: \_\_\_\_\_



**Model No:** BO-581SWFL  
**Description:** Swing Arm Floor Lamp  
**Material:** Resin/Metal  
**Finish :** Antique Rust  
**Height:** 62"  
**Base Width:** Dia. 10 3/4"  
**Wattage :** 150W  
**Socket :** Medium Base (E27)  
**Switch:** 3-way  
**Bulb:** Incandescent, CFL  
**Wire Length:** 6'  
**Wire Color:** Brown  
**Shade No:** SH-7137  
**Material:** Fabric  
**Shade size:** 6 1/2"x16"x11"

**Certificate :**  US