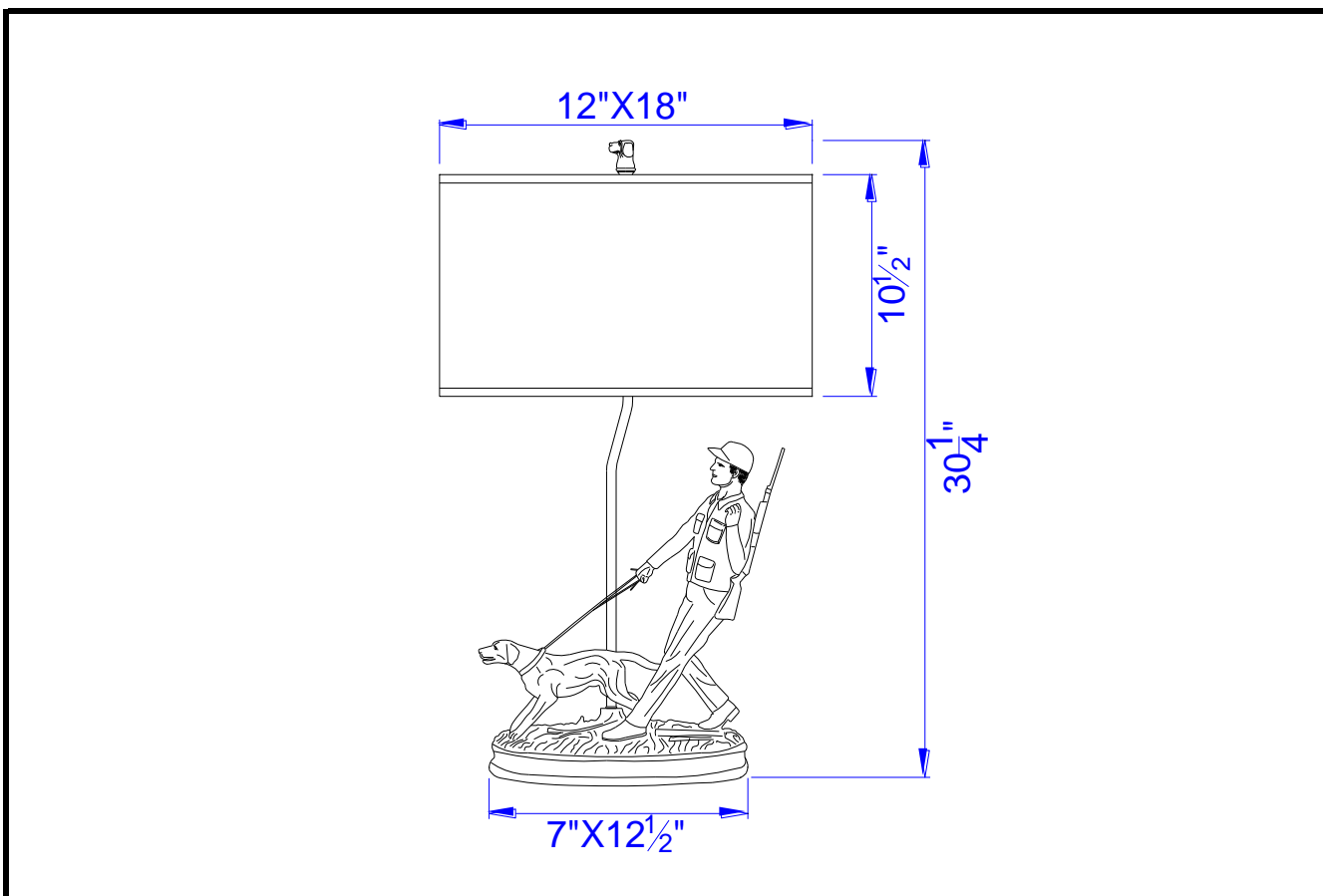




# CAL LIGHTING

3625 E. Philadelphia St. Ontario CA. 91761 • Tel: 909.947.5200 • Fax:  
909.947.5673 • www.calighting.com • service@calighting.com •  
Specifications subject to change without notice

Type: \_\_\_\_\_  
Project: \_\_\_\_\_  
Catalog No.: \_\_\_\_\_  
Lamp/Wattage: \_\_\_\_\_



- Model No:** BO-2660TB
- Description:** 150W 3 way Hunter resin table lamp with hand painted shade
- Material:** Resin
- Finish :** Cast Bronze
- Height:** 30 1/4"
- Base Width:** 7"X 12 1/2"
- Wattage :** 150W
- Socket :** Medium Base (E26)
- Switch:** 3-way
- Bulb:** Incandescent, CFL
- Wire Length:** 6'
- Wire Color:** Brown
- Shade No:**
- Material:** Kraft
- Shade size:** (12"X18")X(12"X18")X10 1/2"
- Certificate :** 