



CAL LIGHTING

3625 E. Philadelphia St. Ontario CA. 91761 • Tel: 909.947.5200 • Fax:
909.947.5673 • www.calighting.com • service@calighting.com •
Specifications subject to change without notice

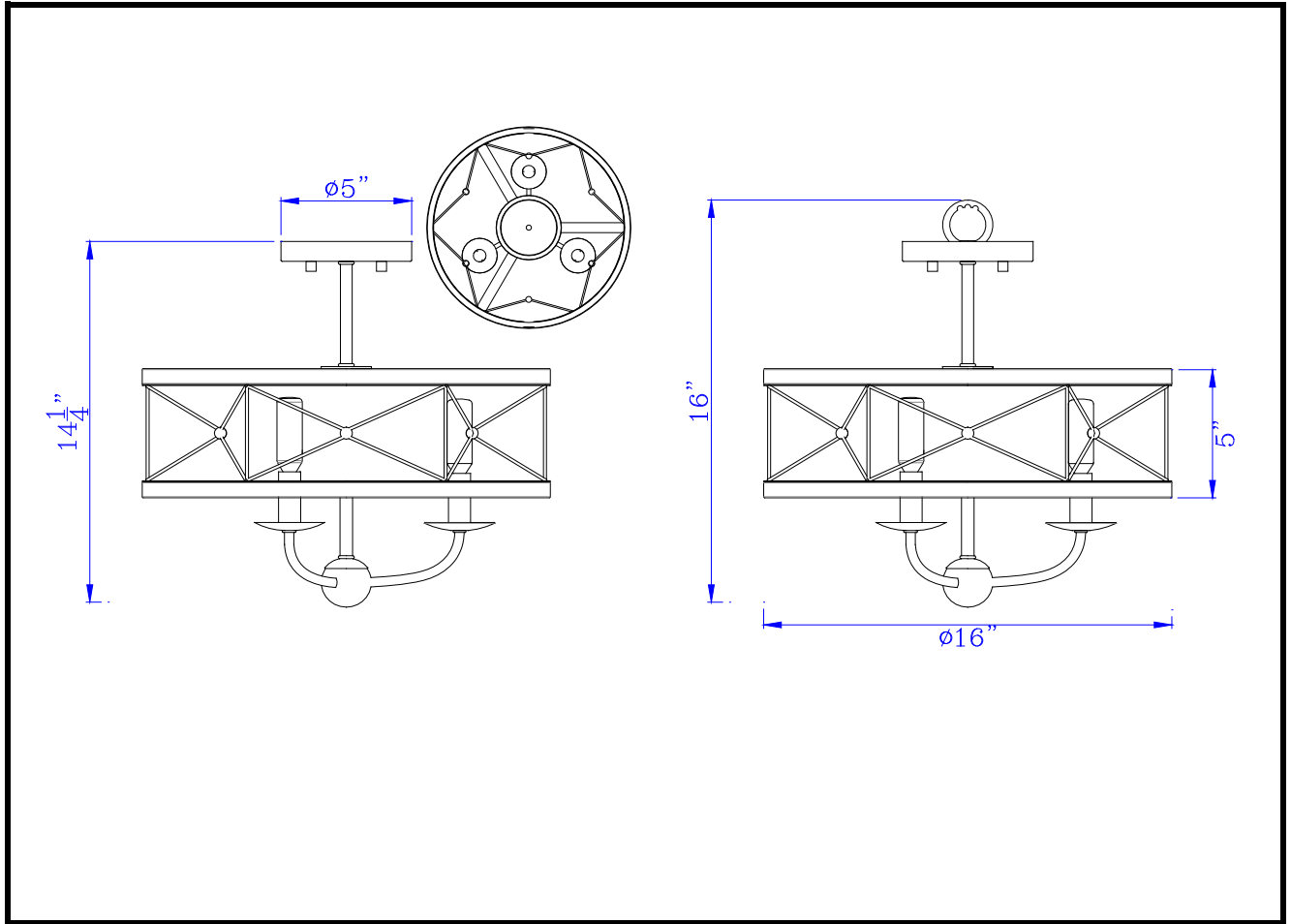
Type: _____

Project: _____

Catalog No.: _____

Lamp/Wattage: _____

Drawing:



Model No: FX-3685-3
Description: 40W x 3 Modica metal pendant fixture
Material: Metal
Finish : Distress Ivory/Iron
Height: 16"
Width: Dia. 16"
Wattage : 40Wx3
Socket : Candelabra Base (E12)
Bulb: Incandescent
Chain Length: 6'
Wire Length: 10'
Wire Color: Black
Shade No: None
Material: None
Shade size: None

Certificate : 