

HAMPTON

903056FHB-LID

HAMPTON 56" LED FAN

DETAILS	
FAN FINISH:	Heritage Brass
GLASS:	Etched Acrylic Lens
BLADE COUNT:	5
SLOPE DEGREE:	20

DIMENSIONS	
WIDTH:	56"
HEIGHT:	17"

LIGHT SOURCE	
VOLTAGE:	120v

MOUNTING	
CANOPY:	6" Dia.
LEAD WIRE:	1 x 76"

SHIPPING	
CARTON LENGTH:	28.1
CARTON WIDTH:	17.2
CARTON HEIGHT:	10.5



Hampton is a modern transitional design, offering the ultimate in urban sophistication. The minimal, rectangular frame, paired with a decorative acrylic etched bottom lens and sleek blades is softened by a contemporary off-white linen drum shade. Available in Metallic Matte Bronze with Walnut or Metallic Matte Bronze blades, Brushed Nickel with Walnut or Silver blades, Heritage Brass with Birch or Matte White blades, Hampton is perfect for any interior decor.

PRODUCT DETAILS:

- This item includes a 6" down rod. Other various lengths of down rods are available and sold separately to customize the installation height.
- Suitable for use in dry (indoor) locations as defined by NEC and CEC. Meets United States UL Underwriters Laboratories & CSA Canadian Standards Association Product Safety Standards.
- This item may be hung on a sloped ceiling
- For more information on how to control your ceiling fan via the Hinkley Home Automation App, [click here](#).
- Reversible blades included
- WiFi compatible with included fan control
- Fan Control included, HIRO Control - 6 Speed Reversing
- LED components carry a 5-year limited warranty

HINKLEY

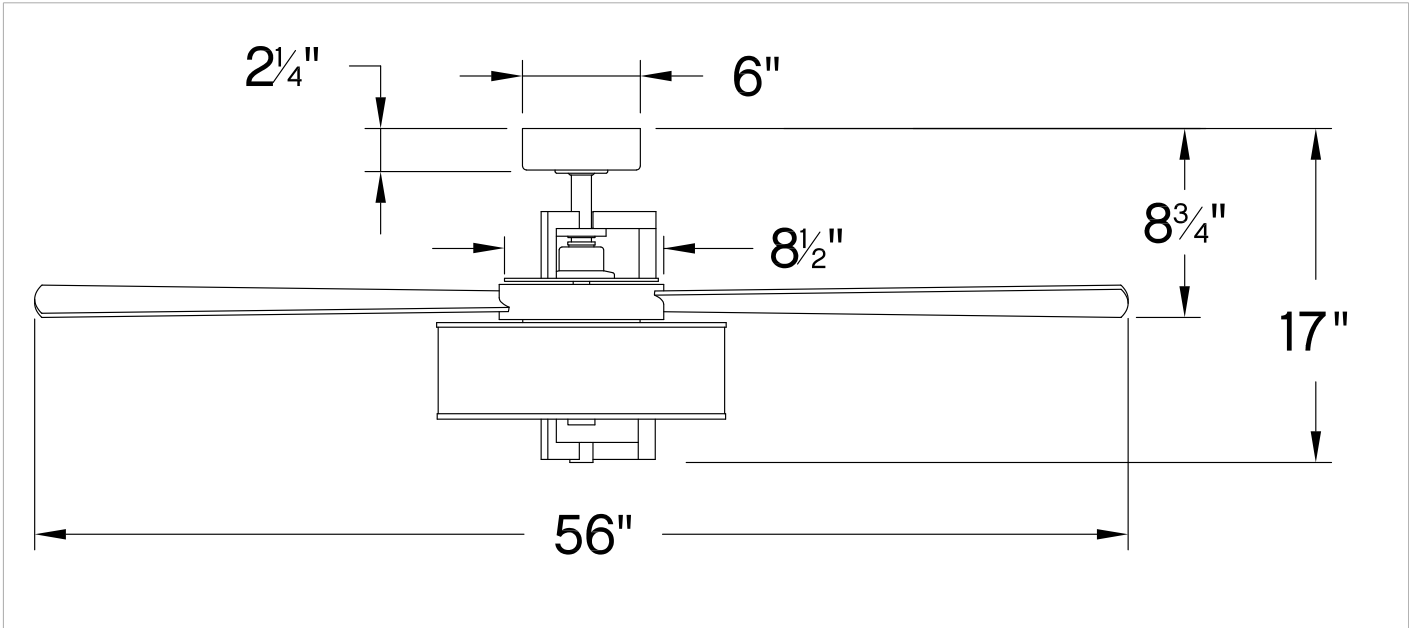
HINKLEY
33000 Pin Oak Parkway
Avon Lake, OH 44012

PHONE: (440) 653-5500
Toll Free: 1 (800) 446-5539

hinkley.com

HAMPTON 56" LED FAN

903056FHB-LID



PERFORMANCE SPECIFICATIONS	STANDARD	
	HIGH SPEED	AVERAGE SPEED
Airflow	5233	3722
EnergyUse	30.1	18
EnergyCost	8	5
Efficiency	174	202
AMPS	0.41	0.23
RPMS	123	84

AVERAGE PERFORMANCE AND ENERGY INFORMATION

ENERGYGUIDE

Estimated
Yearly Energy Cost
\$5

\$3 | | | \$34

Cost Range of Similar Models (19" – 84")

- Based on 12 cents per kWh and 6.4 hours use per day
- Your cost depends on rates and use
- Energy Use: 18 Watts

All estimates based on typical use, excluding lights

Airflow
3,722
Cubic Feet Per Minute

- The higher the airflow, the more air the fan will move
- Airflow Efficiency: 207 Cubic Feet Per Minute Per Watt

ftc.gov/energy

Airflow Shown is a Weighted Average of High and Low Cubic Feet per Minute Based on Downrod