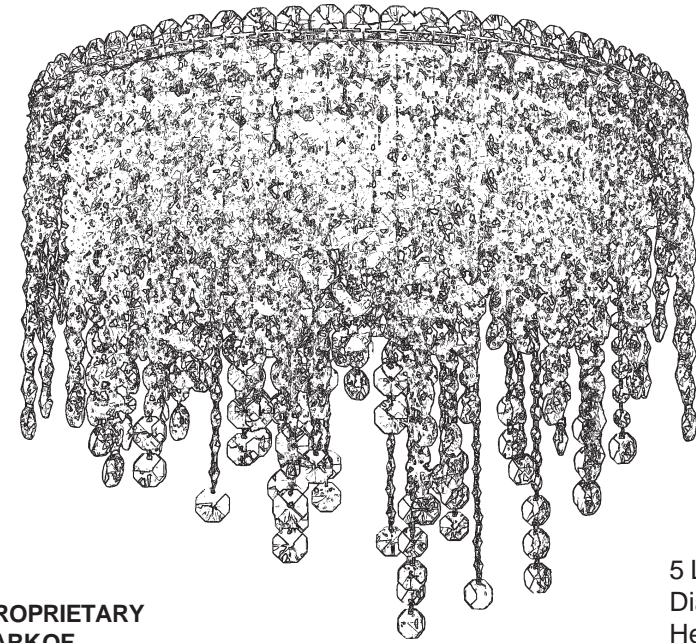




SCHONBEK®

CHANTANT
CH1801N- __ __ H



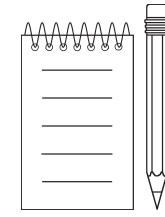
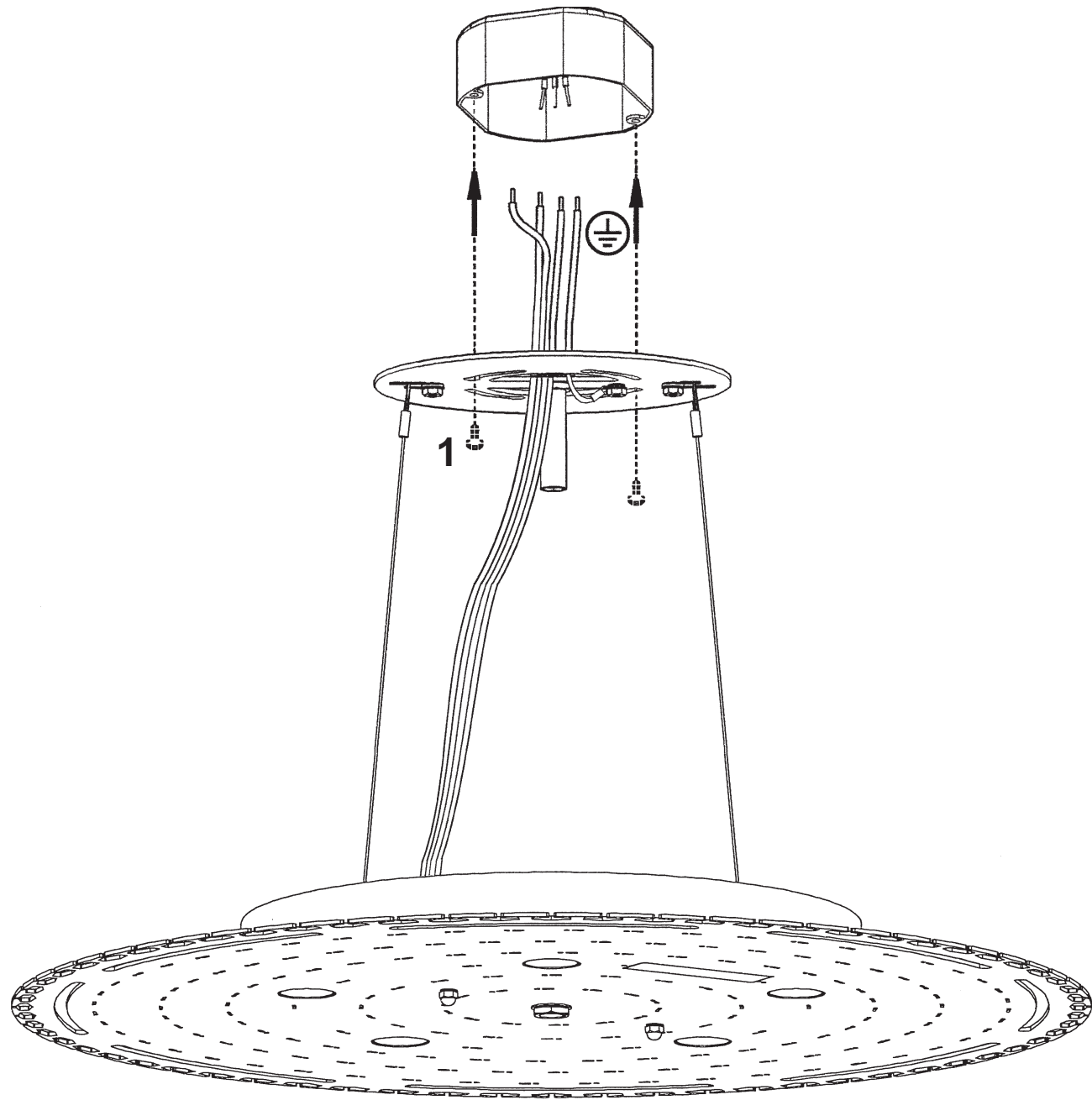
THIS DESIGN IS THE PROPRIETARY
TRADE DRESS/TRADE MARK OF
SWAROVSKI LIGHTING, LTD.

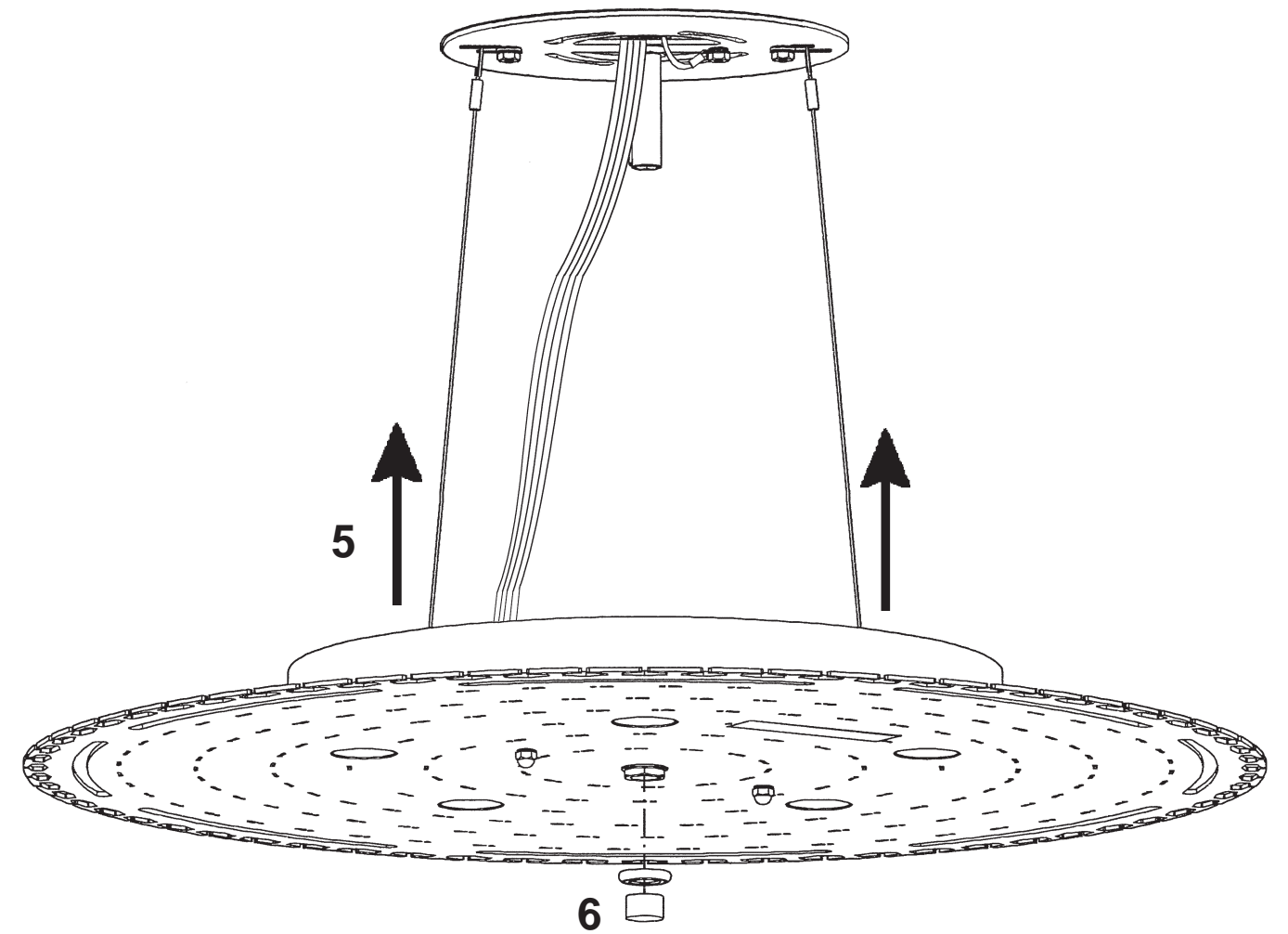
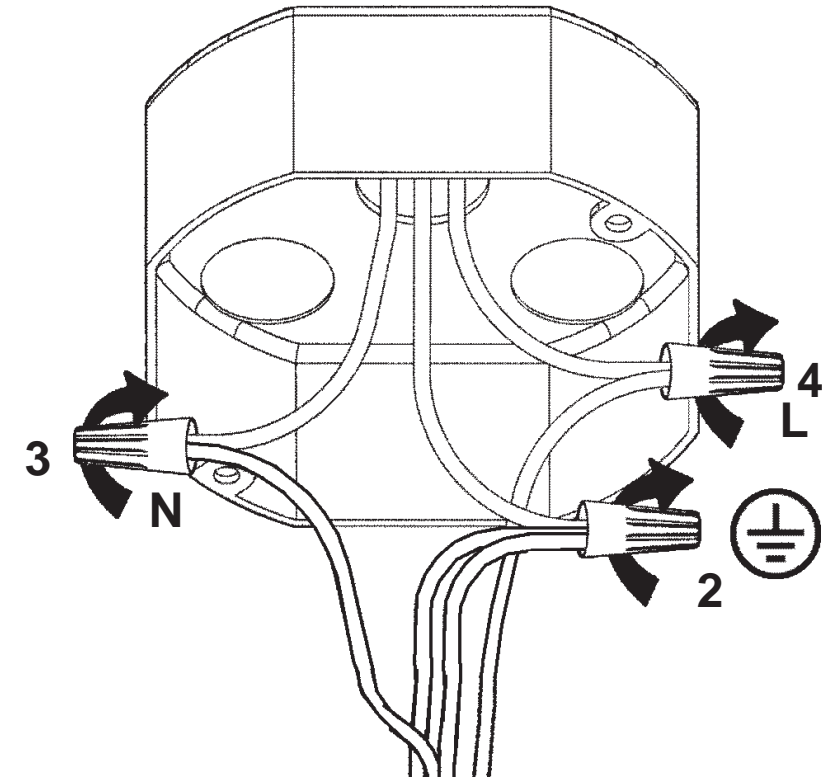
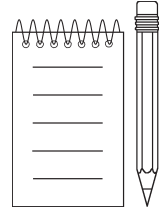
5 Lights
Diameter: 21"
Height: 17"
Hanging Weight: 26lbs.

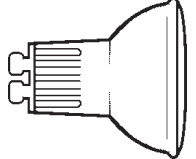



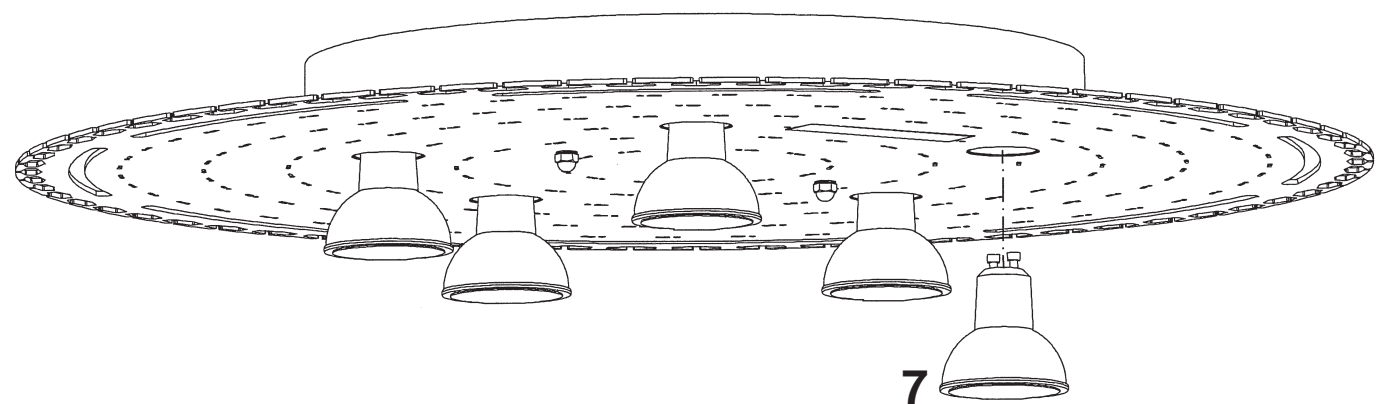
SCHONBEK®

MAX <u>35</u> W	110-120 V						

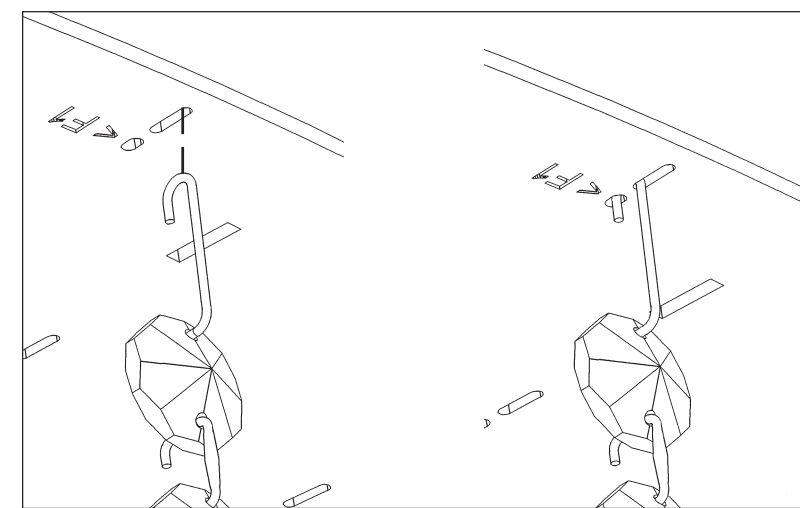
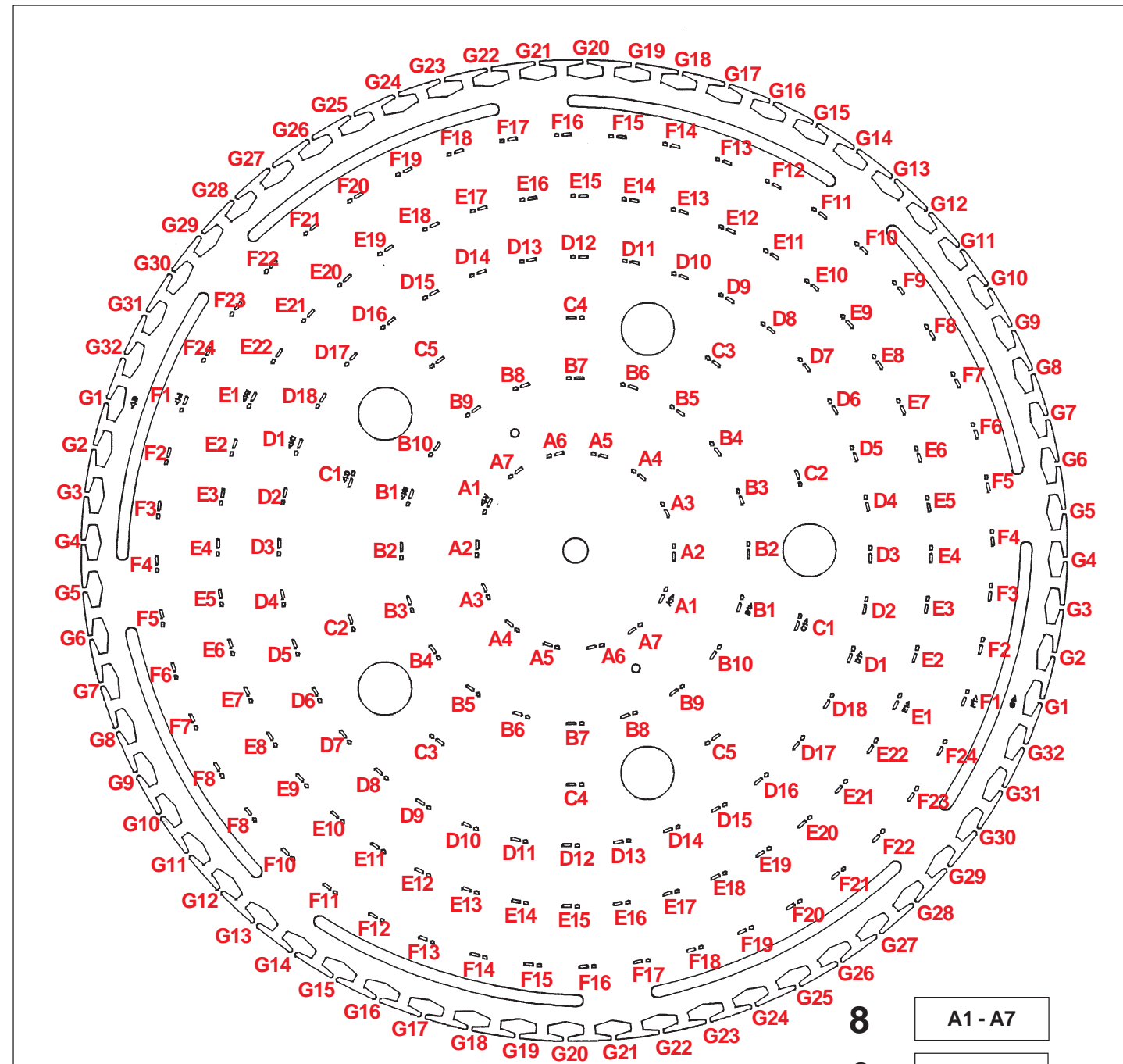




5 X  : GU10 35W MAX 



7



- 8 A1 - A7
- 9 B1 - B10
- 10 C1 - C5
- 11 D1 - D18
- 12 E1 - E22
- 13 F1 - F24
- 14 G1 - G32

After hanging all trim, remove labels from crystals. If residue remains, wipe off crystal with a soft, dry cloth.