

Please go to www. quozel. com for product cleaning tips. Go to the **Care + Maintenance** selection.

Tools Required: Flathead screwdriver, Phillips screwdriver, pliers, wire cutters, wire strippers, electrical tape, safety glasses.

Light Source: (4) A19 Medium Base Bulbs 100W Maximum

Estimated Assembly Time: 30-45 minutes

Preparation: Identify and inspect all parts before beginning installation. Check package content list and diagrams below to be sure all parts are present. If any parts are missing or damaged, do not attempt to assemble, install, or operate the fixture. Contact customer service for replacement parts.

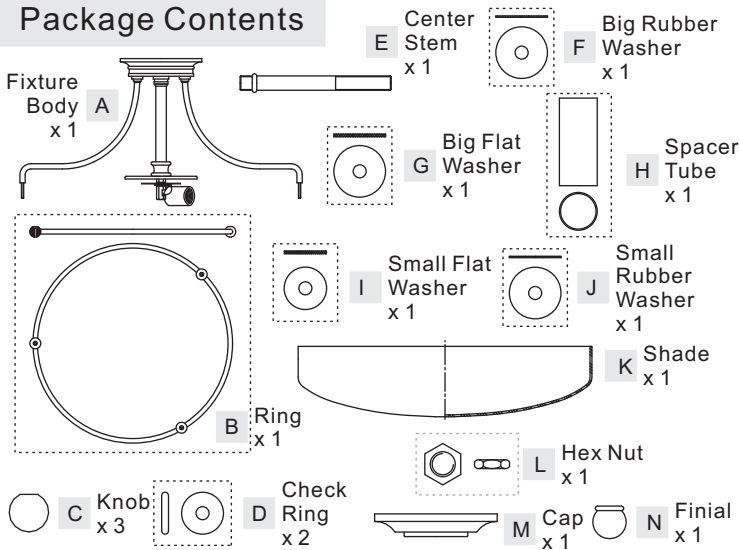
⚠ Warnings and Cautions

Turn off electricity at circuit breaker or main fuse box before installation. Consult a licensed electrician if in doubt.

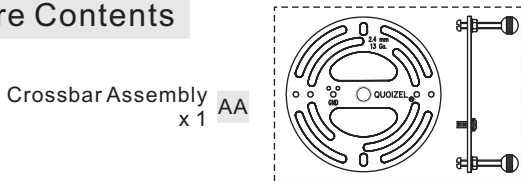
These instructions are provided for your safety. It is very important you read them completely before installing the fixture. We strongly recommend that a licensed, professional electrician perform the installation.

Disconnect fixture from power source before replacing bulbs. Make sure bulbs are given sufficient time to cool before removal.

Package Contents



Hardware Contents



STEP 1 – Attach Ring to Socket Assembly

- A. Unfold Side Arms at 120 degree locations as shown.
- B. Place the Holes on the Ring (B) over the Bolts on the ends of the Side Arms. Secure by threading Knobs (C) onto the Bolts. Hand tighten until snug.

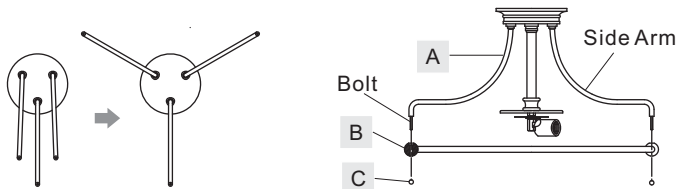


Figure 1

STEP 2 – Install Crossbar Assembly

- A. Pass the supply wires through the Crossbar Assembly (AA). Attach the Crossbar Assembly (AA) to the Outlet Box with the head of the Green Ground Screw facing you. Secure it with Outlet Box Screws (not included). Tighten until snug.

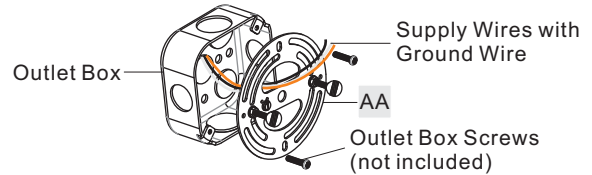


Figure 2

STEP 3 – Test Fit the Ceiling Canopy to the Crossbar Assembly

- A. Remove the mounting balls from the Crossbar Assembly (AA). Place the ceiling canopy and Fixture Body (A) onto the Crossbar Assembly (AA) and secure with mounting balls. Note: The ceiling canopy and Fixture Body (A) should be snug against the ceiling and held tight with the mounting balls. If it is not, adjust the length of the mounting screws on the Crossbar Assembly (AA) by unscrewing the preassembled hex nut and lock washer and then screwing the mounting screws in or out of the crossbar until the correct length is achieved. Once the ceiling canopy and Fixture Body (A) is secure, remove the mounting ball and Fixture Body (A) and proceed to Step 4.

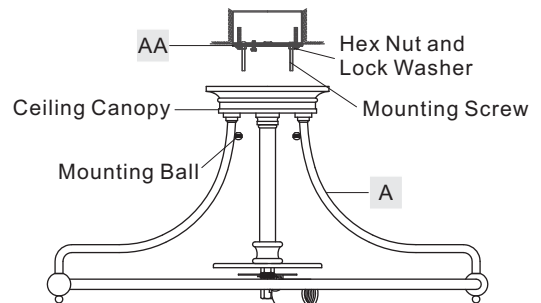
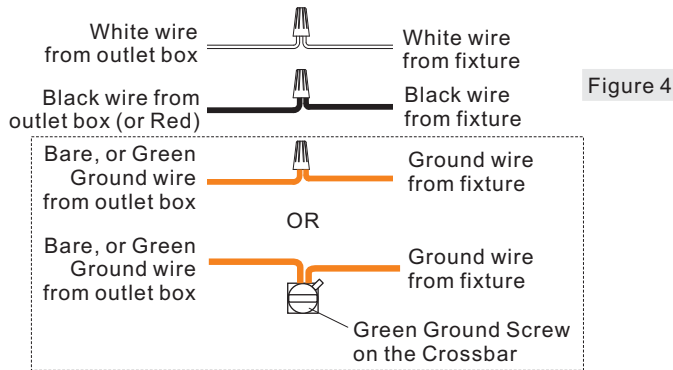


Figure 3

Thank you for purchasing a Quoizel product.
Need assistance with parts or assembly? Call Quoizel customer service at 1-631-273-2700
or visit us on-line at www. quozel. com

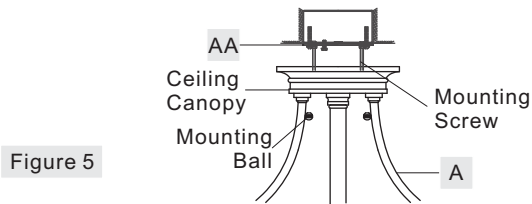
STEP 4 - Wire Connections

A. Use standard wire connectors (not included) to make all wire connections. Twist connectors until wires are tightly joined together. Wrap each connection with approved electrical tape and carefully stuff all the connected wires into the Outlet Box.



STEP 5 - Install the Fixture Body

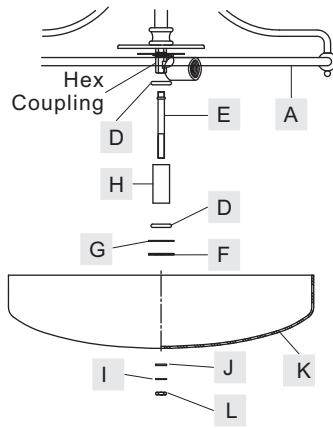
A. Position the ceiling canopy and Fixture Body (A) onto the Crossbar Assembly (AA). Place the holes in the ceiling canopy over the mounting screws. Secure the Fixture Body by using the mounting balls and hand tighten the mounting balls until snug.



STEP 6 - Install Shade

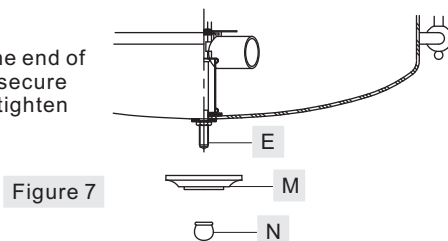
A. Place one Check Ring (D) over the beaded end of the Center Stem (E). And then thread the beaded end of the Center Stem (E) into the Hex Coupling underside of the Fixture Body (A). Hand tighten until snug.

B. Place the following components over the end of the Center Stem (E) as shown: Spacer Tube (H), Check Ring (D), Big Flat Washers (G), Big Rubber Washers (F), Small Flat Washers (I), Small Rubber Washers (J) and Shade (K). Secure by threading Hex Nut (L) onto the end of the Center Stem (E). Hand tighten until snug.



STEP 7 - Install Cap

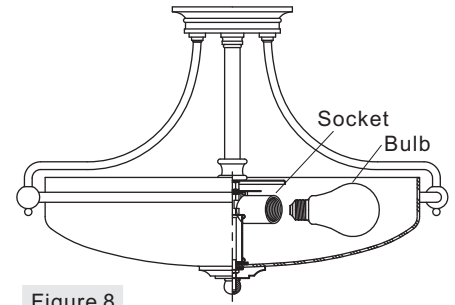
A. Place the Cap (M) over the end of the Center Stem (E) and secure with the Finial (N). Hand tighten until snug.



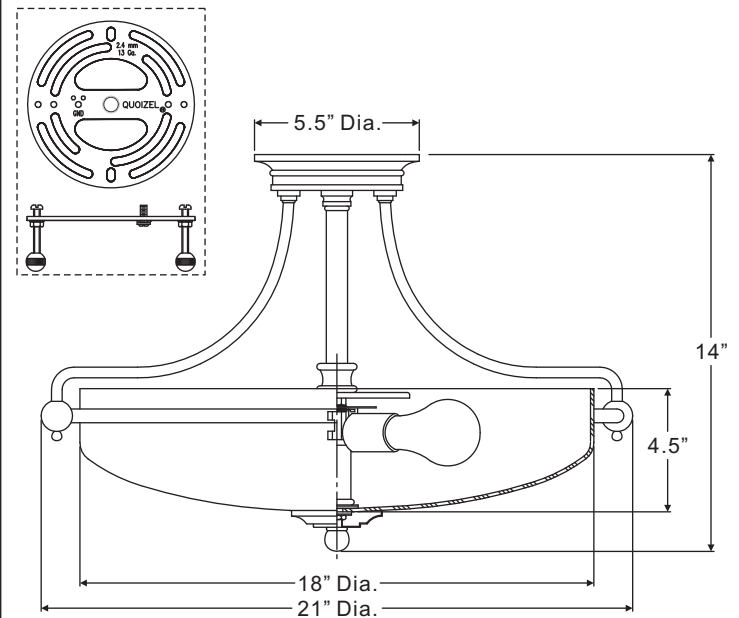
STEP 8 - Install Bulbs

A. Insert bulbs onto sockets and screw snugly into place.

Your fixture is now assembled and ready to use. Enjoy!



GF1721AN	GF1721PN
FINISH: ANTIQUE NICKEL	FINISH: PALLADIAN BRONZE
GF1721C	GF1721WS
FINISH: POLISHED CHROME	FINISH: WEATHERED BRASS



NOTE: ALL DIMENSIONS ARE ROUNDED UP TO THE NEAREST 1/4"

Thank you for purchasing a Quoizel product.
Need assistance with parts or assembly? Call Quoizel customer service at 1-631-273-2700
or visit us on-line at www.quoise.com