

# INSTALLATION INSTRUCTION

## Oculux Architectural 2" Multiples - New Construction Housing

MT-2115\*/2215\*/2315\*/2109\*/2209\*/2309\*

### SAFETY INSTRUCTION

IMPORTANT: NEVER attempt any work without shutting off the electricity.

- Read all instructions before installing.
- System is intended for installation by a qualified electrician in accordance with the National Electrical Code and local regulations.
- Go to the main fuse box, or circuit breaker. Place the main power switch in the "OFF" position and unscrew the fuse(s) or switch "OFF" the circuit breaker switch(es) that control the power to the fixture or room that you are working on.
- Place the wall switch in the "OFF" position.

### AVERTISSEMENT

IMPORTANT : Coupez l'électricité avant TOUTE manipulation.

- Lisez toutes les instructions avant d'installer.
- Système est destiné à être installé par un électricien qualifié en conformité avec le code national de l'électricité et les règlements locaux.
- Accédez au panneau central de disjoncteurs ou de fusibles de votre demeure et placez l'interrupteur principal en position d'arrêt (« OFF »).
- Placez l'interrupteur mural en position d'arrêt (« OFF »).

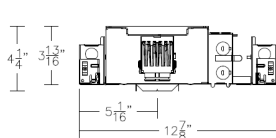
### CAUTION

All parts must be used as indicated in these instructions. Do not substitute any parts, leave parts, or use any parts that are worn out or broken. Failure to follow could invalidate the UL/cUL listing of this fixture.

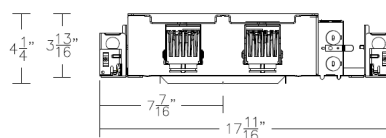
### OVERVIEW

Housing is new construction Airtight IC and Non IC (Refer to table below). Housing requires a trim for finished look. Refer to specification sheets for compatible trim options.

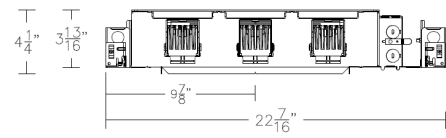
SPECIFICATION	
<b>Input:</b>	120-277V; 50/60 Hz
<b>Installation:</b>	IC for -15 model (15W 1 LIGHT/30W 2 LIGHT/45W 3 LIGHT) NON IC for -9 model (8.5W 1 LIGHT/17W 2 LIGHT/25.5W 3 LIGHT)
<b>Dimming:</b>	ELV/TRIAC (120V only) / 0-10V



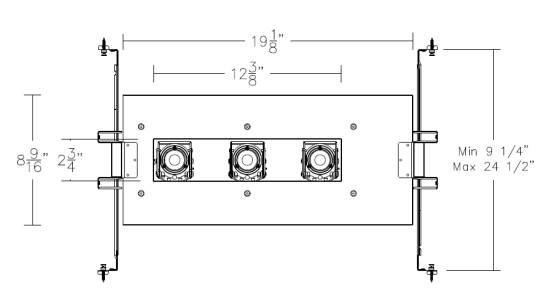
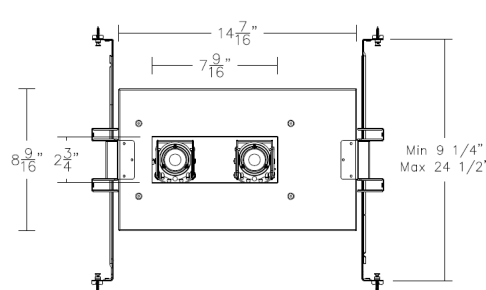
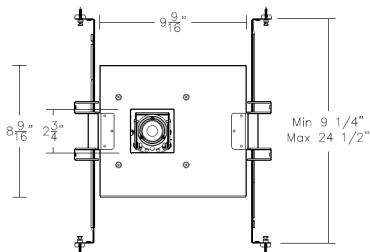
MT-2115,2109



MT-2215,2209



MT-2315,2309



# INSTALLATION INSTRUCTION

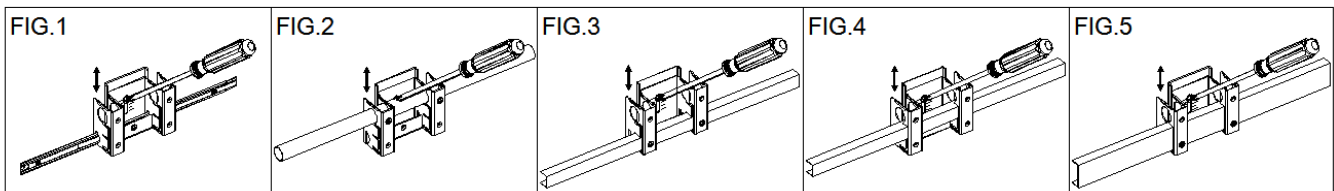
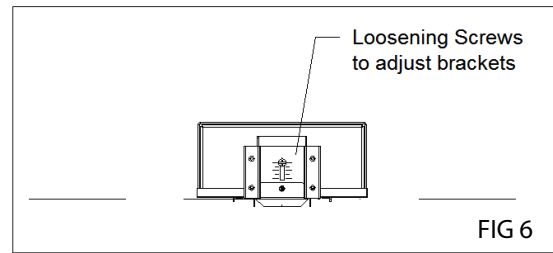
## Oculux Architectural 2" Multiples - New Construction Housing

# WAC LIGHTING

MT-2115\*/2215\*/2315\*/2109\*/2209\*/2309\*

### HOUSING INSTALLATION

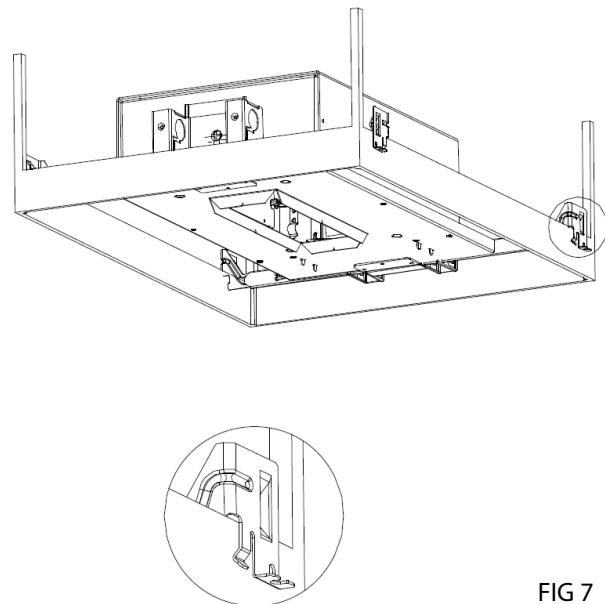
1. Housing features mounting brackets that can be used with hanger bars or various channel supports (See **FIG. 1-5**). Adjust the brackets to proper height by loosening the screws such that the bottom of housing is flush to top of finished ceiling plane (See **FIG. 6**). Retighten screws securely.



2. Slide the male and female hanger bars or other channel supports through the appropriate holes in the brackets.

### 3. A. For hanger bar installation on grid:

Hanger bars are notched on the ends to fit over "T" bars in the suspended ceilings supported with tie wires (by others) to upper ceiling structure (See **FIG. 7**).



wacighting.com  
Phone (800) 526.2588  
Fax (800) 526.2585

Headquarters/Eastern Distribution Center  
44 Harbor Park Drive  
Port Washington, NY 11050

Central Distribution Center  
1600 Distribution Ct  
Lithia Springs, GA 30122

Western Distribution Center  
1750 Archibald Avenue  
Ontario, CA 91760

# INSTALLATION INSTRUCTION

## Oculux Architectural 2" Multiples - New Construction Housing

MT-2115\*/2215\*/2315\*/2109\*/2209\*/2309\*

### B. For hanger bar installation on joists:

Install the hanger bar and housing assembly such that the lip of the hanger bar rests on the bottom surface of the joist. (See **FIG.A,B**). Use a screwdriver or hammer to secure the "screw-nail" into the wood (See **FIG.8**).

- Slide the housing along the hanger bars to the desired position (See Detail **FIG. C**). Tighten bottom locking screws to secure the housing in place.

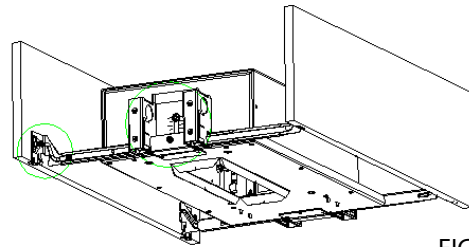
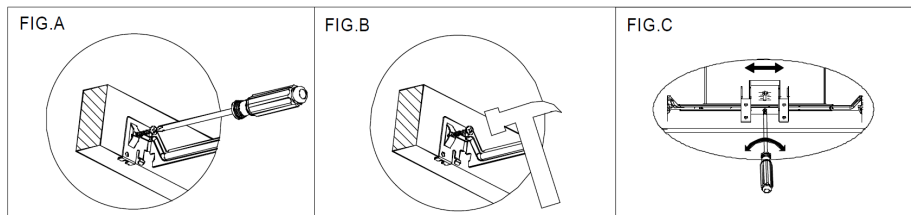


FIG 8



- Remove fixture junction box door and connect fixture wires to building wires: insert each supply wire into appropriate junction box connector. This fixture features electronic low voltage ELV, TRIAC, or 0-10V dimming capabilities (See **FIG 9**).

To utilize ELV or TRIAC, wire black (line hot), white (line neutral) and green (ground) in accordance to dimmer specifications.

To utilize 0-10V dimming, wire purple (dim+), gray (dim-), black (line hot), white (line neutral) and green (ground) in accordance to dimmer specifications.

When not using a dimmer, connect black fixture wire to hot, white fixture wire to neutral and green fixture wire to ground. Leave all other wires capped individually.

Fixture comes from factory with power and control wires connected in parallel so all light engines operate together. If desired, individual light engine control is possible by separating the parallel wiring in the junction box and wiring the desired "lamps" separately in accordance to NEC standards.

Place all wiring and connectors back in junction box and replace the junction box cover.

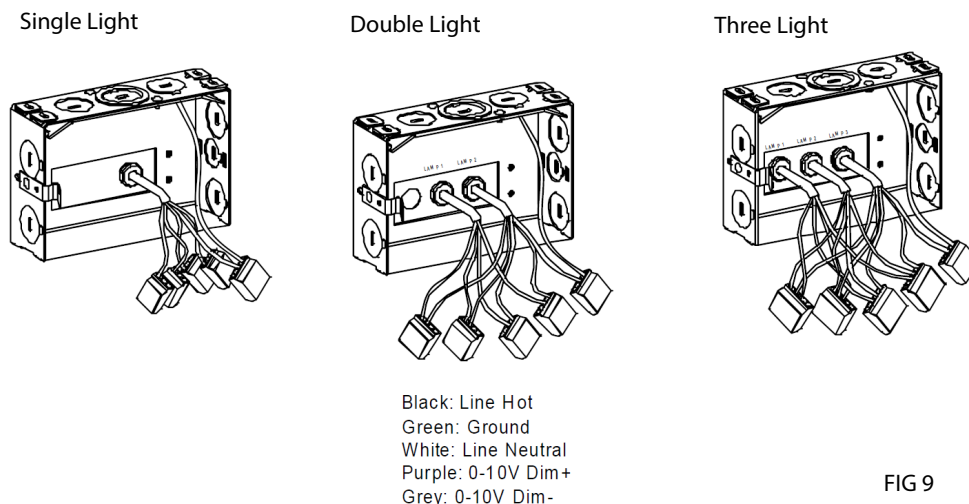


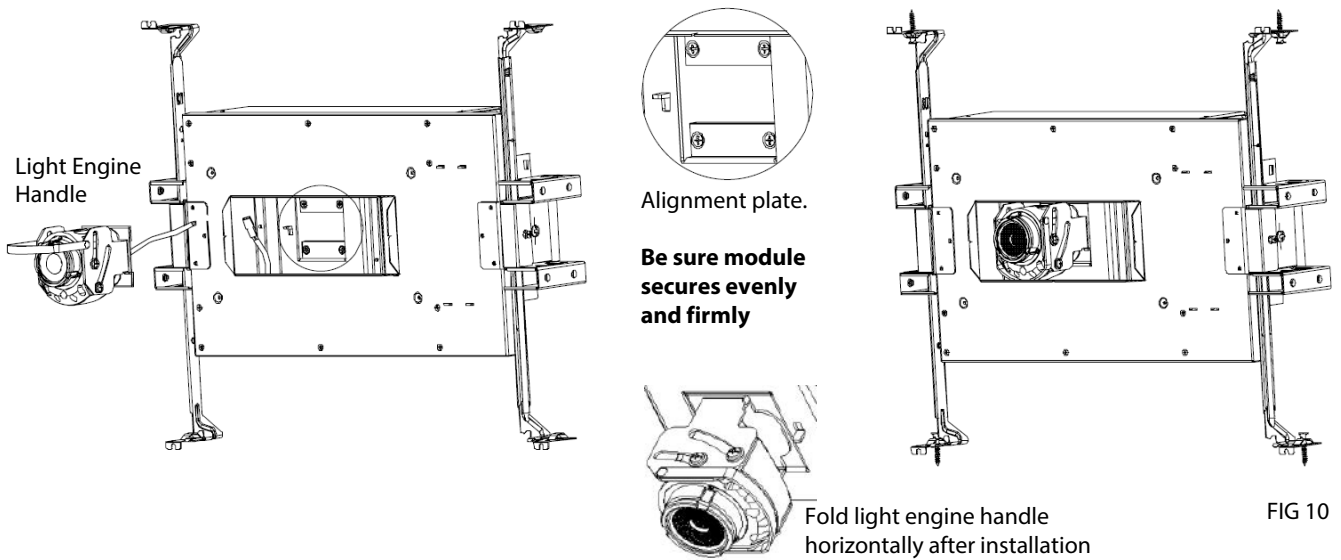
FIG 9

**Oculux Architectural 2" Multiples - New Construction Housing**

MT-2115\*/2215\*/2315\*/2109\*/2209\*/2309\*

**LIGHT ENGINE INSTALLATION** (See FIG. 10)

1. Adjust the handle on the light engine to hold it.
2. Align the light engine to the center of the square feature inside the housing, and firmly place it to ensure proper mating. Be sure magnetic attachment is even and secure with no wires pinched.
3. Fold light engine handle back horizontally
4. Connect the electrical quick connector of the appropriate light engine.



### AIMING ANGLE ADJUSTMENT

1. Horizontal (Rotational) Adjustment ( $\pm 360^\circ$ )

The trim assembly is capable of being horizontally rotated. (See **FIG. 11**).

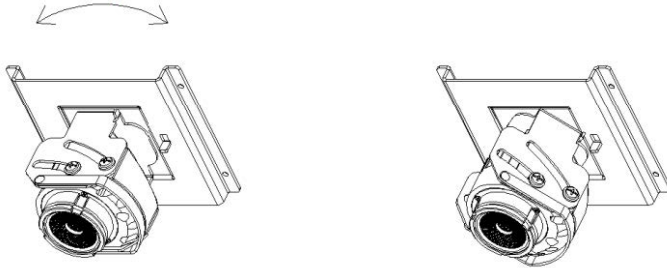


FIG 11

2. Vertical (Angular) Adjustment ( $0-40^\circ$ ):

The trim assembly is capable of being vertically adjusted between 0-40 degrees

a. Insert the screw driver into the light module guide hole. (See **FIG. 12**)

b. Gently push and angle to screw driver tilt light module to the desired angle. (See **FIG. 13**)

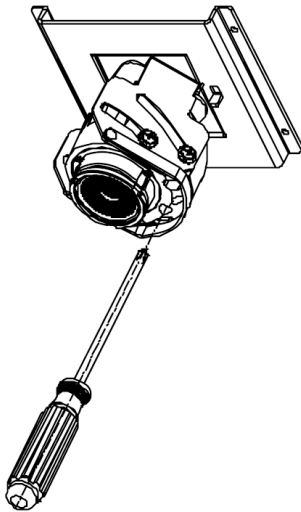


FIG 12

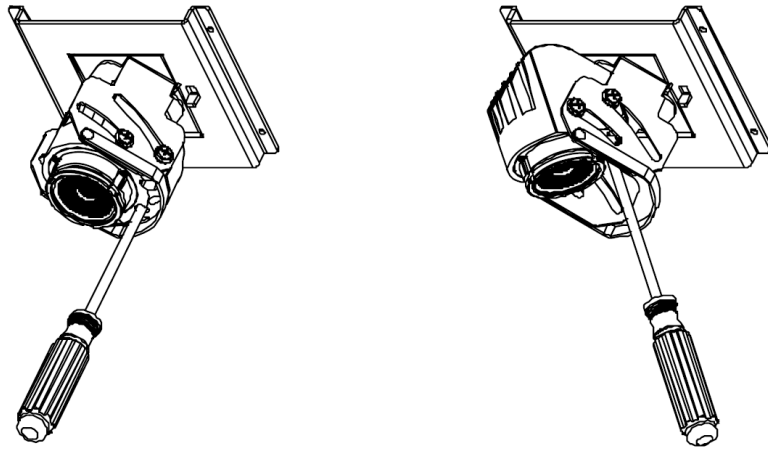


FIG 13

# INSTALLATION INSTRUCTION

## Oculux Architectural 2" Multiples - New Construction Housing

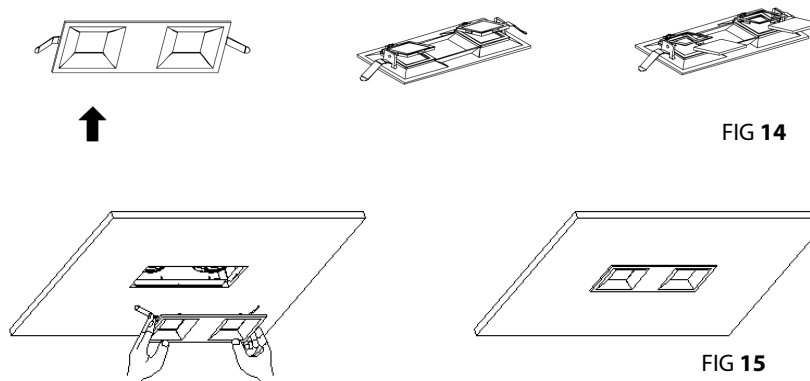
MT-2115\*/2215\*/2315\*/2109\*/2209\*/2309\*

Use template supplied to make appropriate cutout.

MODEL	CUTOUT	
	TRIM	TRIMLESS
MT-2115*/2109*	2 15/16" × 2 15/16"	3 3/16" × 3 3/16"
MT-2215*/2209*	7 11/16" × 2 15/16"	8" × 3 3/16"
MT-2315*/2309*	12 1/2" × 2 15/16"	12 13/16" × 3 3/16"

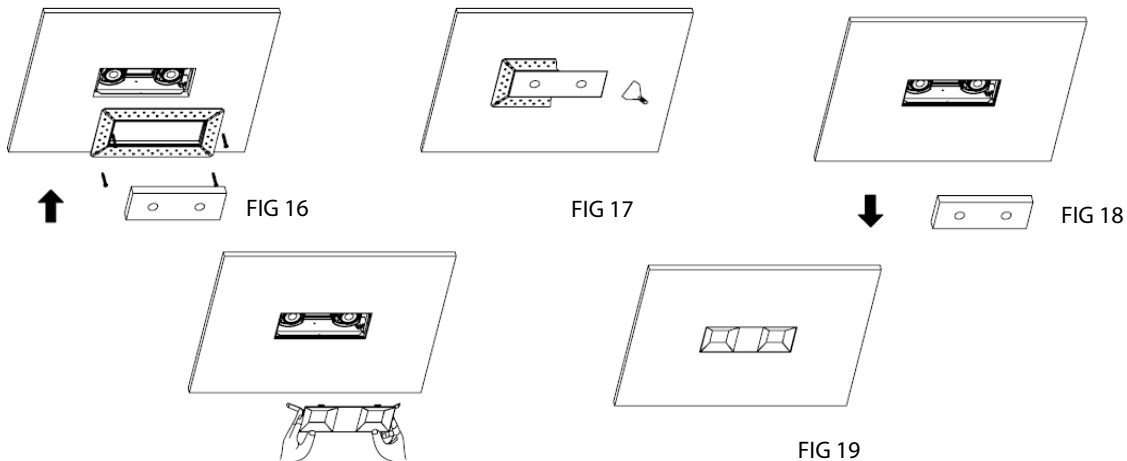
### TRIM INSTALLATION

1. Create appropriate cut out in the ceiling.
2. The trim lens is optional (keep for Wet location listing). To remove, slide lens out of lens holder (See **FIG. 14**)
3. Raise the trim to housing, depress trim spring clips and push the trim assembly up until the trim is flush to the ceiling. (See **FIG. 15**)



### TRIMLESS INSTALLATION

1. Create appropriate cut out in the ceiling
2. Raise the trimless frame aligning tab to slot, and secure to trim mounting plate by using the screws supplied. Put plaster shield inside trim opening. (See **FIG. 16**)
3. Apply plaster or spackle over trim frame and sand surface when dry for a finished look. (See **FIG. 17**)
4. Remove the plaster shield when finishing is complete. (See **FIG 18**)
5. The trim lens is optional (keep for Wet location listing). To remove, slide lens out of lens holder (See **FIG. 14**)
6. Raise the trim to housing, depress trim spring clips and push the trim assembly up flush. (See **FIG 19**)



wacighting.com  
Phone (800) 526.2588  
Fax (800) 526.2585

Headquarters/Eastern Distribution Center  
44 Harbor Park Drive  
Port Washington, NY 11050

Central Distribution Center  
1600 Distribution Ct  
Lithia Springs, GA 30122

Western Distribution Center  
1750 Archibald Avenue  
Ontario, CA 91760

# INSTALLATION INSTRUCTION

## Oculux Architectural 2" Multiples - New Construction Housing

MT-2115\*/2215\*/2315\*/2109\*/2209\*/2309\*

### REPLACING THE TIR LENS (See Fig 20)

1. Power off the fixture and let it cool down.
2. Remove and keep the screws used to secure the TIR holder to the light engine.
3. Remove the TIR lens and replace with new unit.
4. Reinstall the TIR holder using previously removed screws.

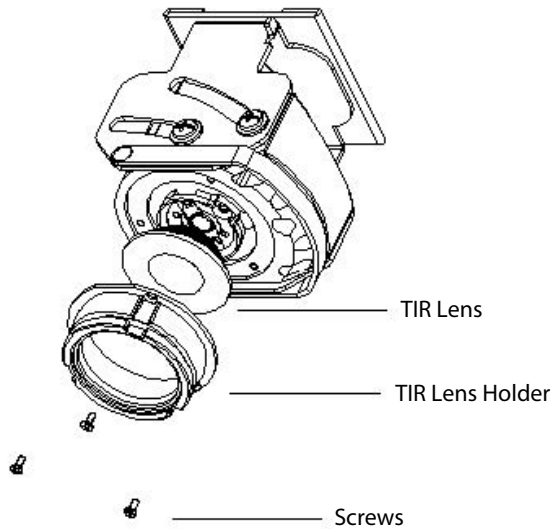


FIG 20

### REPLACING THE DRIVER ( 2 OR 3 LIGHT)

1. Remove power from fixture. Remove the trim from the housing.
2. Using the handle, carefully pull and loosen the light module from the housing.(See FIG 21)
3. Unplug the light module wire harness using the quick connector. (See FIG 21 )
4. Loosen and remove wing nuts from side of the housing, and then pull driver assembly panel out.(See FIG 22)
5. Unplug the quick connectors and remove the driver from the plate by temporarily removing its screws.
6. Install the replacement driver to the plate using previously removed screws.
7. Attach the driver quick connectors and the secure the driver assembly panel to the housing using wing nuts.

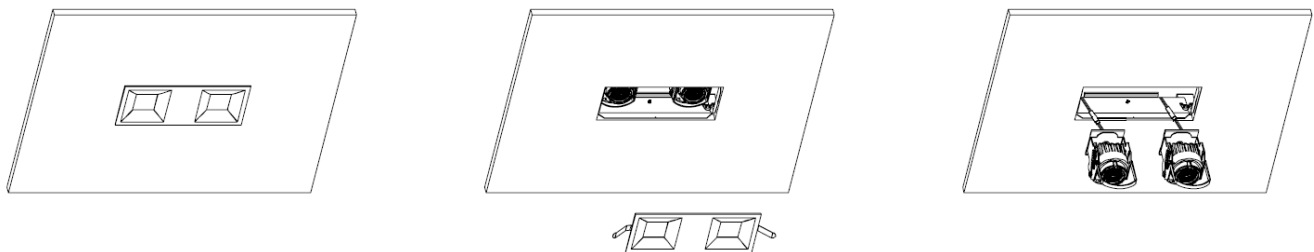


FIG 21

**Oculux Architectural 2" Multiples - New Construction Housing**

MT-2115\*/2215\*/2315\*/2109\*/2209\*/2309\*

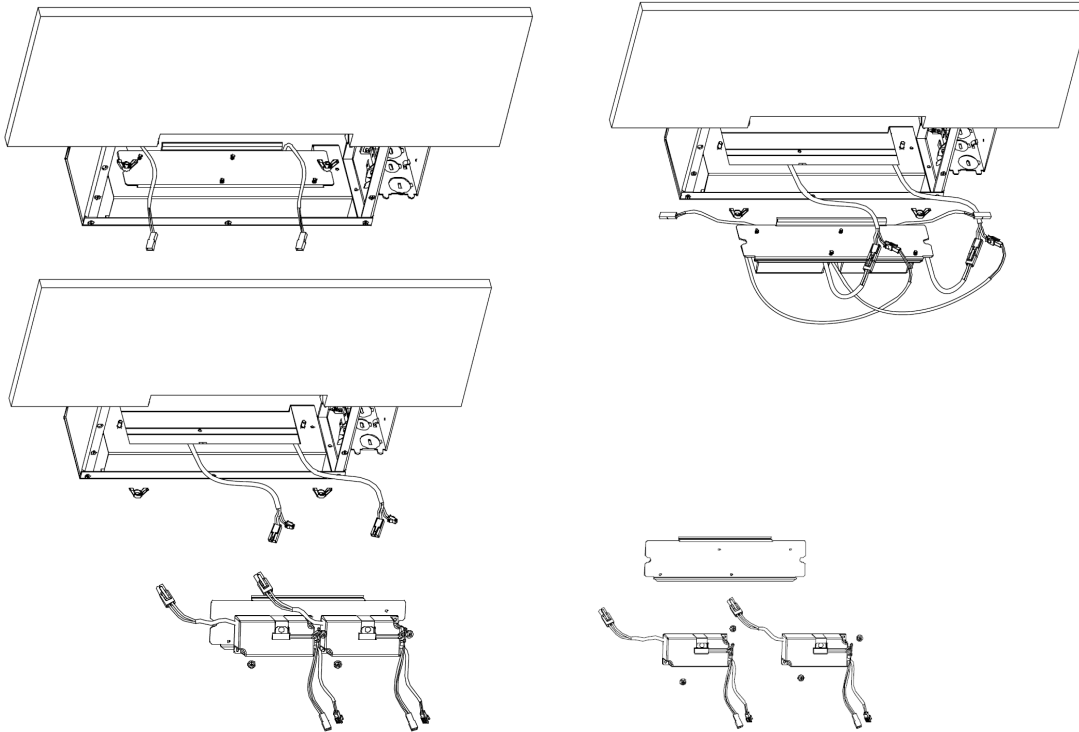


FIG 22

**REPLACING THE DRIVER (1 LIGHT)**

1. Remove power from fixture. Remove the trim from the housing
2. Using the handle, carefully pull and loosen the light module from the housing.
3. Unplug the light module wire harness using the quick connector.
4. Rotate driver door stop counterclockwise 90°, take driver assembly panel out (See **Fig 23**)
5. Unplug the quick connector and remove the driver by loosening the mounting screws.
6. Install the replacement driver and then reinstall the driver assembly panel into the housing.

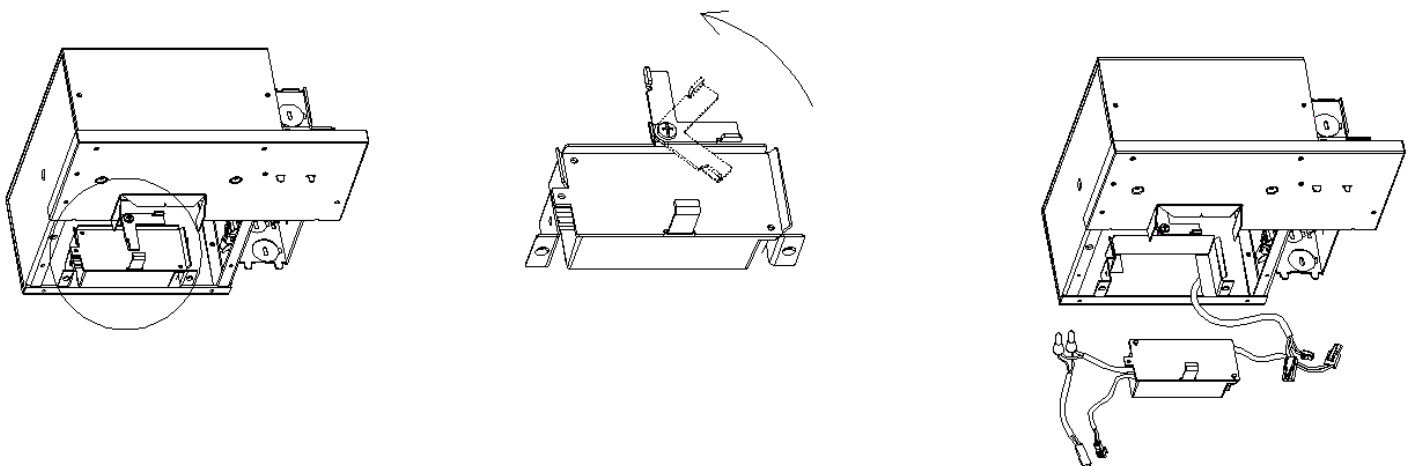


FIG 23



# INSTALLATION INSTRUCTION

## Oculux Architectural 2" Multiples - New Construction Housing

MT-2115\*/2215\*/2315\*/2109\*/2209\*/2309\*

### ACCESSORIES INSTALLATION

The fixture accommodates one glare control or one lens accessory.

Each accessory type may be used in addition to an accessory optical film.

Accessory Holder (LENS-11-HLD) is required to install ALL accessories. Sold seperately

1. Power off the fixture and let it cool down.
2. Remove the trim from the housing.
3. Adjust the light module to the vertical (straight down) position.
4. Install silicone ring from accessory holder package on to light engine. Prepare the accessory holder with appropriate accessory.
5. Carefully apply the lens holder with accessory to the light engine. Confirm it is installed by tension securely
6. Reconfigure the light engine to the desired position and reinstall the trim to the housing.

#### Accessory Optic Film Package (sold seperately)

Film **A** (one notch) = Small Beam Increase  
Film **B** (two notches) = Medium Beam Increase  
Film **C** (no notches) = Large Beam Increase

**GLOSS SIDE OUT**

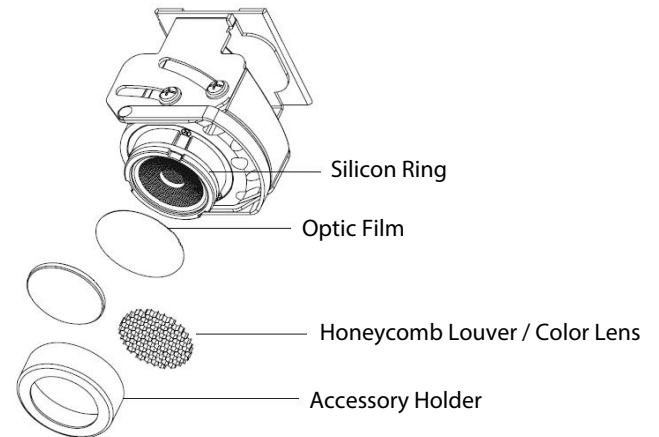
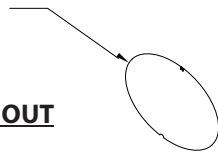


FIG 24