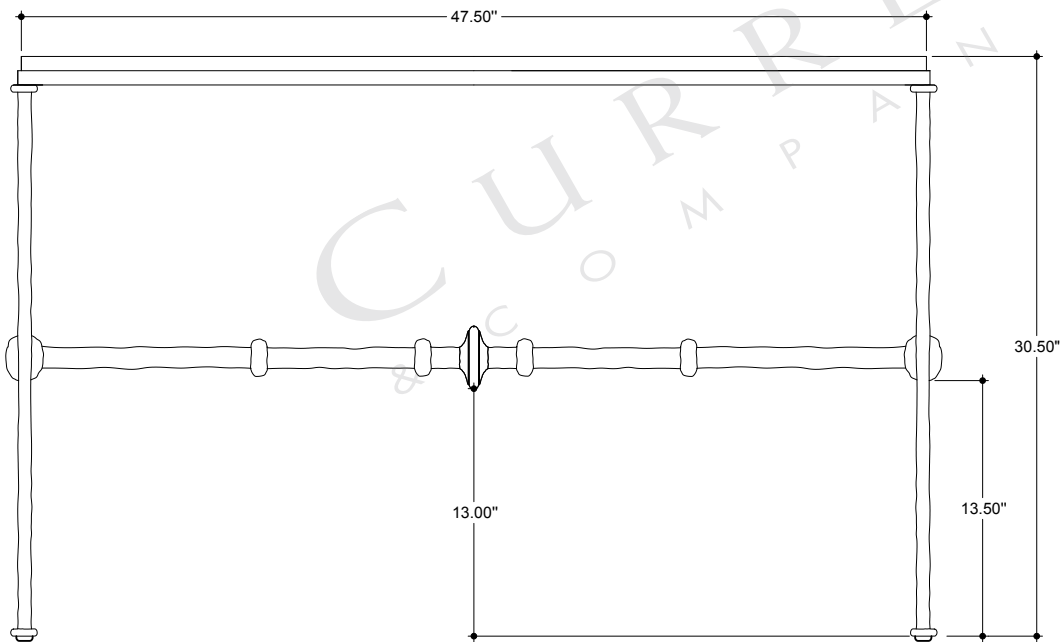
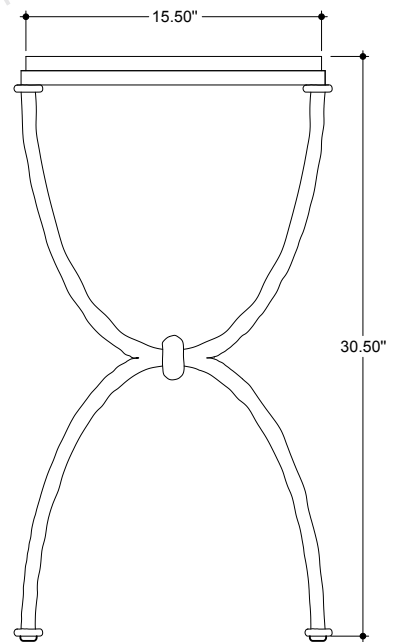


TOP VIEW



FRONT VIEW



SIDE VIEW

CURREY & COMPANY