



CAL LIGHTING

3625 E. Philadelphia St. Ontario CA. 91761 • Tel:
909.947.5200 • Fax:

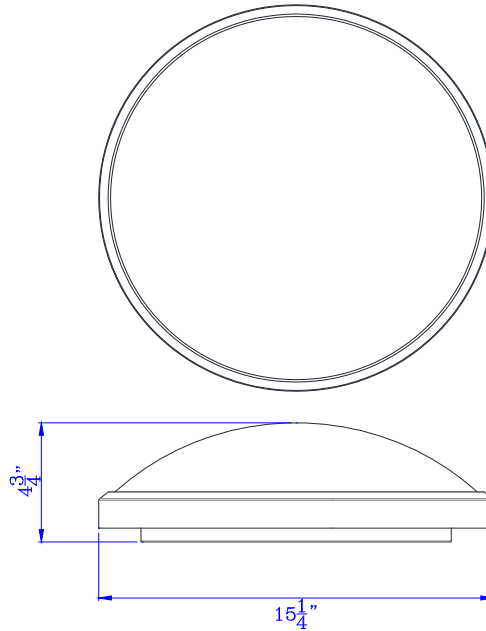
909.947.5673 • www.calighting.com • service@calighting.com •
Specifications subject to change without notice

Type: _____

Project: _____

Catalog No.: _____

Lamp/Wattage: _____



Model No. : LA-710

Description: Integrated LED 26W, 1800 lumen, 80 CRI, dimmable ceiling flush mount with glass diffuser

Material: Glass/Metal

Finish : Painted Steel

Length: Dia.15 1/4"

Width: Dia.15 1/4"

Reach: 4 3/4"

Voltage : 120V

Wattage : 26W

Dimming: Dimmable

CT: 3000K

Lumen : 1800Lumen

CRI : 80

Beam Angle: None

Rated Life : 30,000 hours

Warranty: Three Years

Certificate :

