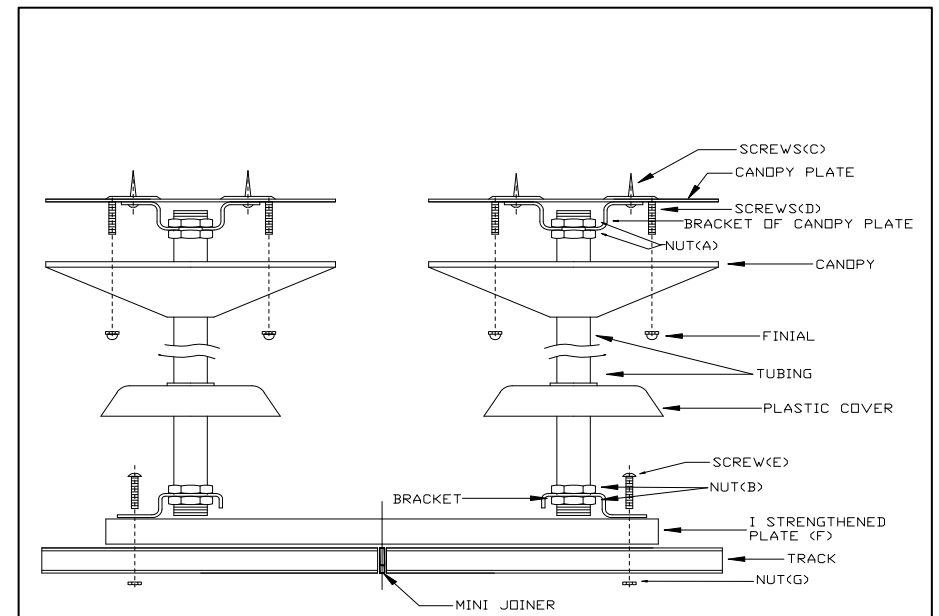
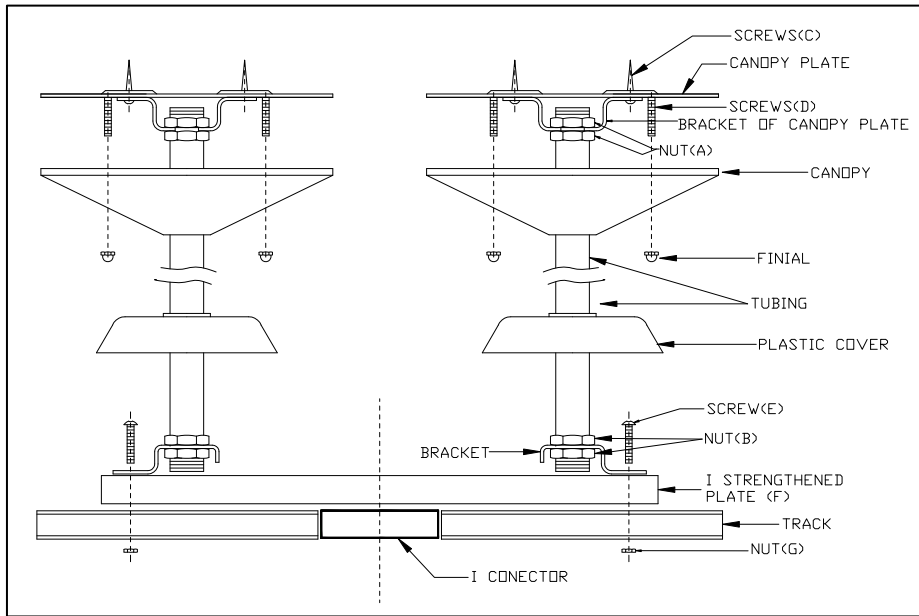


INSTALLATION INSTRUCTION OF PENDANT ASSEMBLY KIT AND I / L STRENGTHENED PLATE

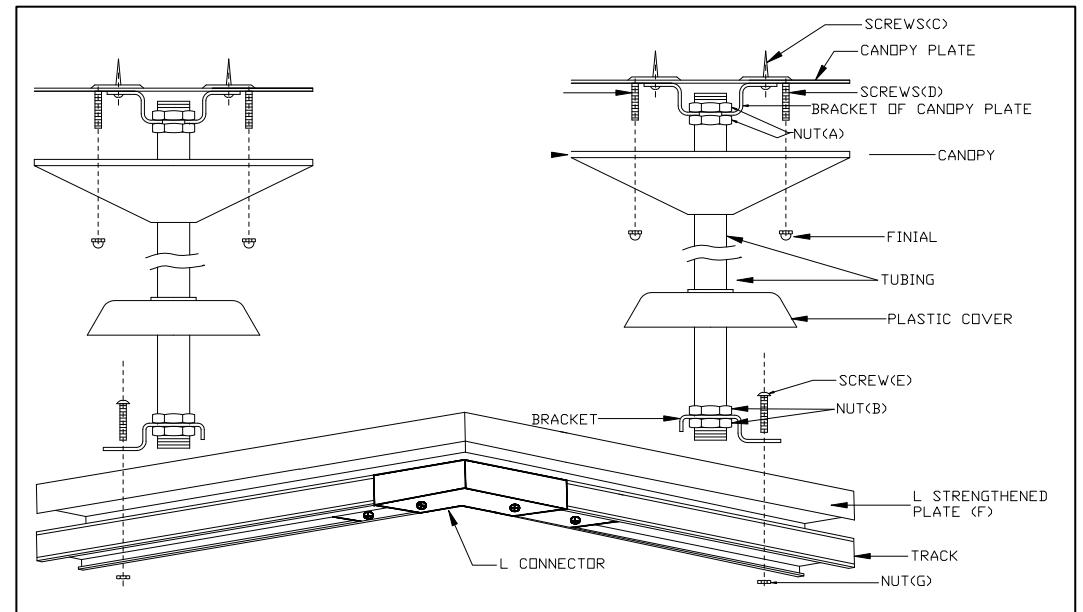


TO SUSPEND TRACK FROM CEILING ORDER AS FOLLOWS :

2 KITS FOR 4' TRACK;3 KITS FOR 6' TRACK;3 OR 4 KITS FOR 8' TRACK;5 KITS FOR 12' TRACK

WARNING : This Pendant Kit Assembly must be used with I/L Strengthened Plate,If track is connected and intended to be suspended from ceiling. Without using this I/L Strengthened Plate for Pendant Kit,there will be risk of fire.

1. Slide nuts (A) onto tubing. Put bracket between two nuts (A) and tighten them. Fix canopy plate to ceiling by screws (C) provided. Rotate screws(D) into canopy plate and fix canopy by rotating finial provided.
2. Slide plastic cover and canopy onto tubing (be careful of the location) and slide tow nuts (B) onto the tubing.
3. Put bracket between nuts and tightened them.
4. Fix the bracket with the nuts (B) provided.
5. Repeat the same steps on the other Pendant Assembly Kits.
6. Put the I (L) Strengthened Plate (F) on the back of connector and track,and fixt the I (L) Strengthened Plate (F) with screws (E) by rotating the nut (G) until it is tightened. Push the cover down till it was tightened



SAVE THESE INSTRUCTIONS