



CAL LIGHTING

3625 E. Philadelphia St. Ontario CA. 91761 • Tel: 909.947.5200 • Fax:
909.947.5673 • www.calighting.com • service@calighting.com •
Specifications subject to change without notice

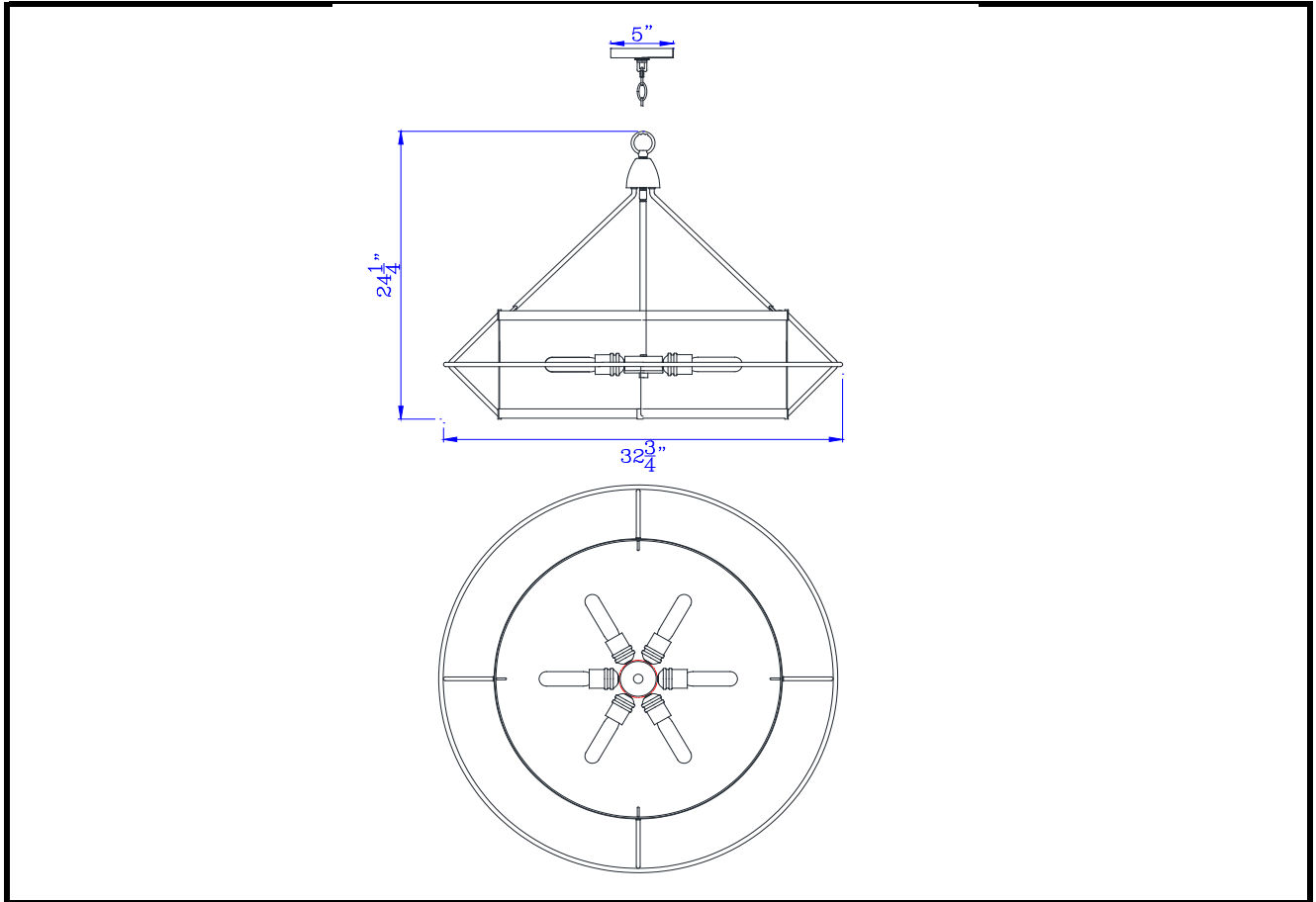
Type: _____

Project: _____

Catalog No.: _____

Lamp/Wattage: _____

Drawing:



- Model No:** FX-3696-6
Description: 60W x 6 Caserta Metal chandelier with mesh shade (Edison bulbs NOT included)
Material: METAL
Finish : Antique Brass/Black
Height: 24 1/4"
Width: 32 3/4"
Reach: 32 3/4"
Wattage : 60Wx6
Socket : Medium Base (E26)
Bulb: Incandescent or CFL
Chain Length: 6'
Wire Length: 10"
Wire Color: Black
Shade No:
Material:
Shade size:
Certificate :

