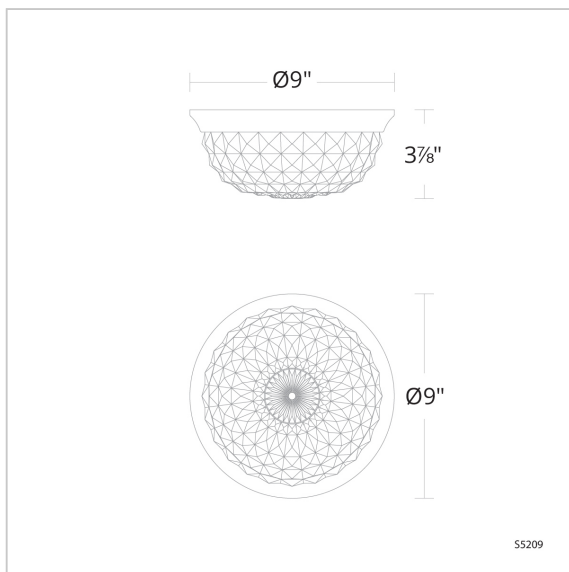


Genoa

S5209



LINE DRAWING



DESCRIPTION

Brilliantly impressive. Flutes and facets crafted from intricate pressed glass are illuminated by interior LEDs, stunning following the rhythm of light, drawing the eye into a glittering splendor of radiance, shadow and nuances of color.

FEATURES

- Built in color temperature adjustability. Switch from 3000K/3500K/4000K.
- Can be mounted on ceiling or wall in all orientations

CRYSTAL OPTIONS



Optic Crystal
(O)

FINISH OPTIONS



Aged Brass
(-700)



Polished
Chrome
(-702)

SPECIFICATIONS

Light Source	LED
CRI	90
Dimming	ELV, Triac
Standards	ETL/cETL, Title 24

REPLACEMENT PARTS

- RPL-GLA-5209-01 - Outer Glass Shade
- RPL-GLA-5209-02 - Inner Glass Shade

Model	Finish	Crystal	Size	CCT	Weight	Voltage	Wattage	LED Lumens	Delivered Lumens
S5209	- 700 - 702	O	9"	3000K/3500K/ 4000K	4.6lbs	120 VAC	12W	1383	Up To 1115

Example: S5209-7000