

# INSTALLATION INSTRUCTION

## Silo Multiples - New Construction Housing

### MT-4\*15, MT-4\*10

**WAC LIGHTING**  
Responsible Lighting®

#### IMPORTANT SAFETY INSTRUCTIONS

1. Read all instructions before installing.
2. System is intended for installation by a qualified electrician in accordance with the National Electrical Code and local regulations.
3. Go to the main fuse box, or circuit breaker. Place the main power switch in the "OFF" position and unscrew the fuse(s) or switch "OFF" the circuit breaker switch(es) that control the power to the fixture or room that you are working on.
4. Place the wall switch in the "OFF" position.

#### INSTRUCTIONS DE SÉCURITÉ IMPORTANTES

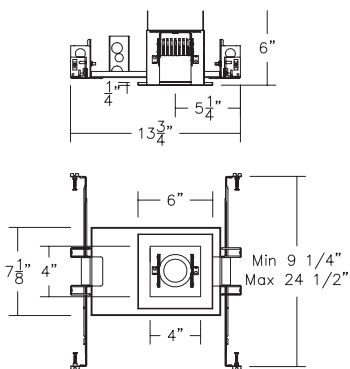
1. Lisez toutes les instructions avant d'installer.
2. Système est destiné à être installé par un électricien qualifié en conformité avec le code national de l'électricité et les règlements locaux.
3. Accédez au panneau central de disjoncteurs ou de fusibles de votre demeure et placez l'interrupteur principal en position d'arrêt («OFF »).
4. Placez l'interrupteur mural en position d'arrêt (« OFF »).

#### OVERVIEW:

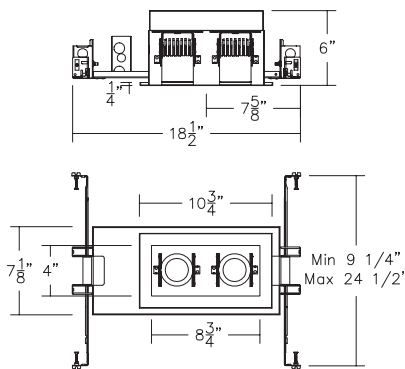
Housing is new construction Airtight IC and Non IC. (Refer to table below).

#### SPECIFICATION:

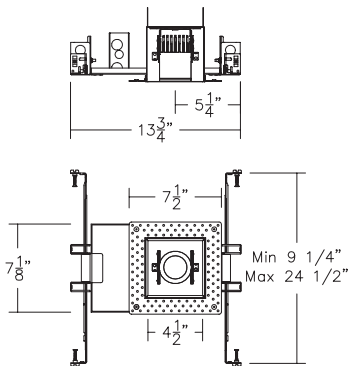
INPUT	INSTALLATION	DIMMING
120-277 VAC ; 50/60 Hz	IC for -10 model (10W)	TRIAC / ELV (120V only) / 0-10V
	NON IC for -15 model (15W)	



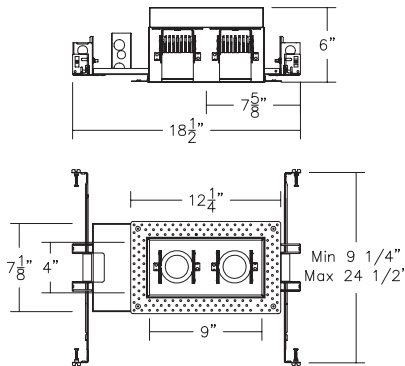
**SINGLE LIGHT - TRIMMED**



**DOUBLE LIGHT - TRIMMED**



**SINGLE LIGHT - TRIMLESS**



**DOUBLE LIGHT - TRIMLESS**

**FOR THREE AND FOUR LIGHT MODELS:  
CONTINUE TO NEXT PAGE**

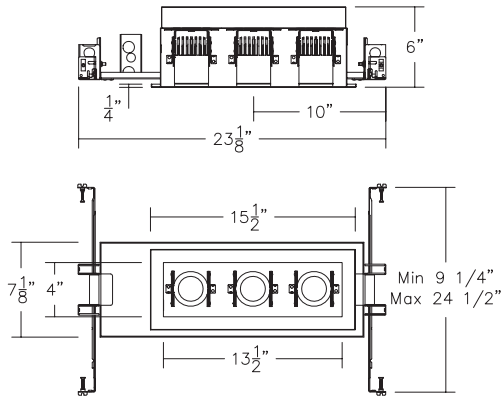
waclighting.com  
Phone (800) 526.2588  
Fax (800) 526.2585

Headquarters/Eastern Distribution Center  
44 Harbor Park Drive  
Port Washington, NY 11050

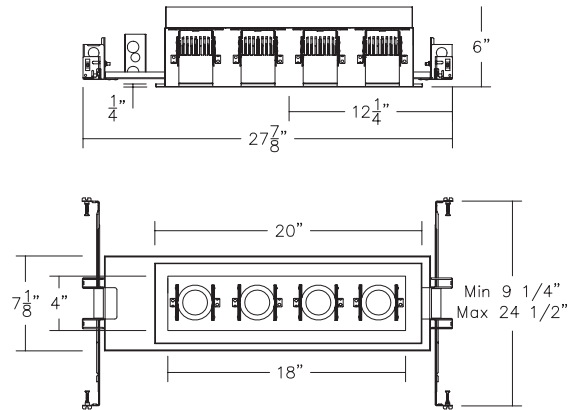
Central Distribution Center  
1600 Distribution Ct  
Lithia Springs, GA 30122

Western Distribution Center  
1750 Archibald Avenue  
Ontario, CA 91760

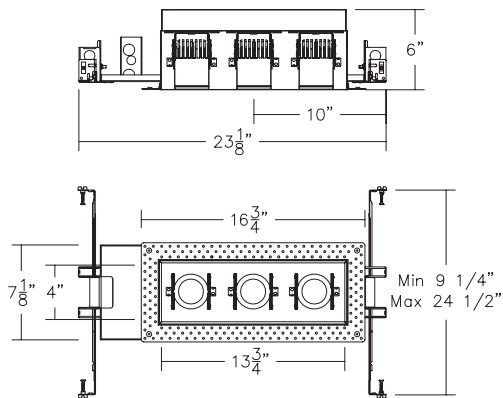
**INSTALLATION INSTRUCTION**  
**Silo Multiples - New Construction Housing**  
 MT-4\*15, MT-4\*10



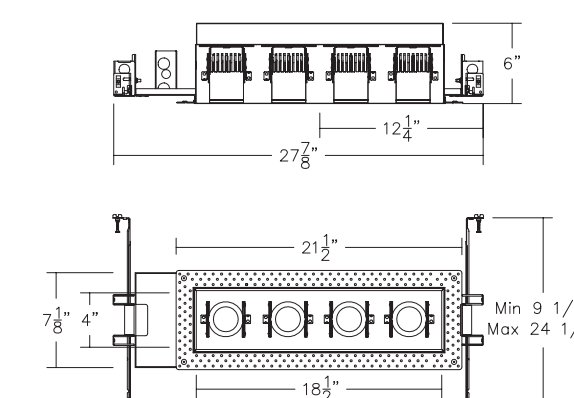
**TRIPLE LIGHT - TRIMMED**



**QUADRUPLE LIGHT - TRIMMED**



**TRIPLE LIGHT - TRIMLESS**



**QUADRUPLE LIGHT - TRIMLESS**

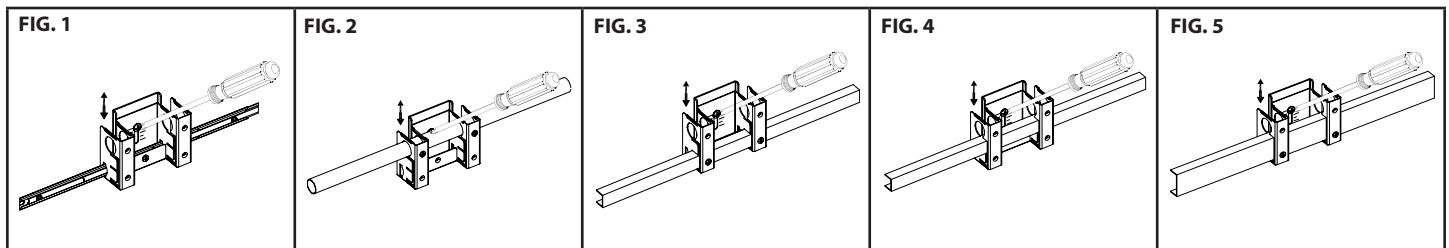
**HANGER BAR**

**ROUND CHANNEL**

**1/2" CHANNEL**

**3/4" CHANNEL**

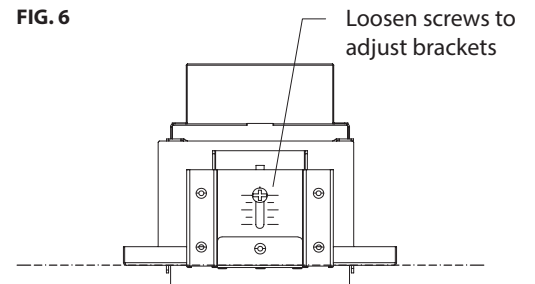
**1 1/2" CHANNEL**



**TRIM HOUSING INSTALLATION**

1. Housing features mounting brackets that can be used with hanger bars or various channel supports (See FIG. 1-5). Adjust the brackets to proper height by loosening the screws such that the bottom of housing is flush to top of finished ceiling plane (See FIG. 6). Retighten screws securely.
2. Slide the male and female hanger bars or other channel supports through the appropriate holes in the brackets.

**FIG. 6**



waclighting.com  
 Phone (800) 526.2588  
 Fax (800) 526.2585

Headquarters/Eastern Distribution Center  
 44 Harbor Park Drive  
 Port Washington, NY 11050

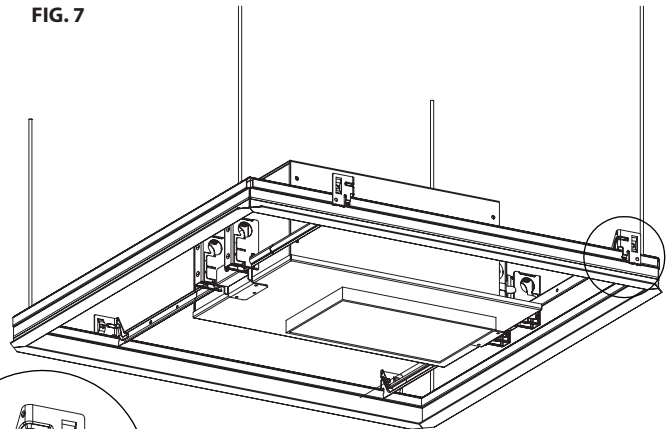
Central Distribution Center  
 1600 Distribution Ct  
 Lithia Springs, GA 30122

Western Distribution Center  
 1750 Archibald Avenue  
 Ontario, CA 91760

**INSTALLATION INSTRUCTION**  
**Silo Multiples - New Construction Housing**  
 MT-4\*15, MT-4\*10

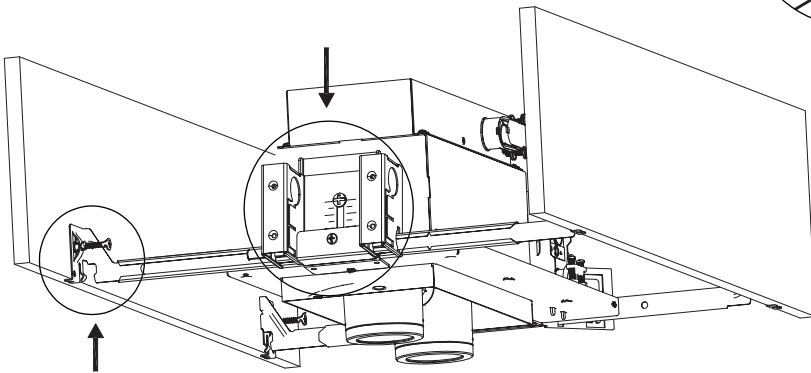
3. **A. For hanger bar installation on grid:**  
 Hanger bars are notched on the ends to fit over "T" bars in the suspended ceilings supported with tie wires (by others) to upper ceiling structure (See FIG. 7).

FIG. 7

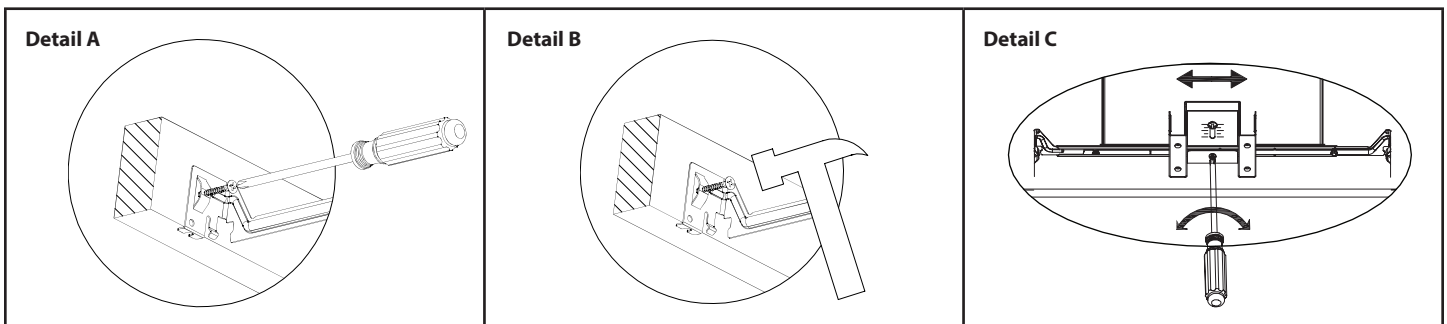


**B. For hanger bar installation on joists:**  
 Install the hanger bar and housing assembly such that the lip of the hanger bar rests on the bottom surface of the joist. Use a screw-driver or hammer to secure the "screw-nail" into the wood (See FIG.8).

FIG. 8



4. Slide the housing along the hanger bars to the desired position (See **Detail. C**).  
 Tighten bottom locking screws to secure the housing in place



# INSTALLATION INSTRUCTION

## Silo Multiples - New Construction Housing

### MT-4\*15, MT-4\*10

- Remove fixture junction box door and connect fixture wires to building wires: insert each supply wire into appropriate junction box connector. This fixture features electronic low voltage ELV, TRIAC, or 0-10V dimming capabilities (See **FIG 9**).

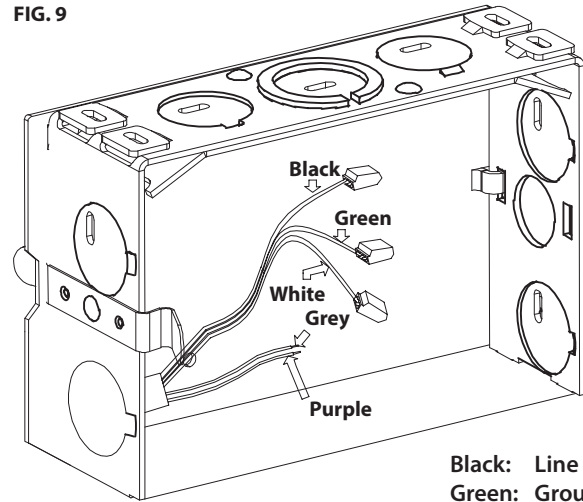
To utilize ELV or TRIAC, wire black (line hot), white (line neutral) and green (ground) in accordance to dimmer specifications.

To utilize 0-10V dimming, wire purple (dim+), gray (dim-), black (line hot), white (line neutral) and green (ground) in accordance to dimmer specifications.

When not using a dimmer, connect black fixture wire to hot, white fixture wire to neutral and green fixture wire to ground. Leave all other wires capped individually.

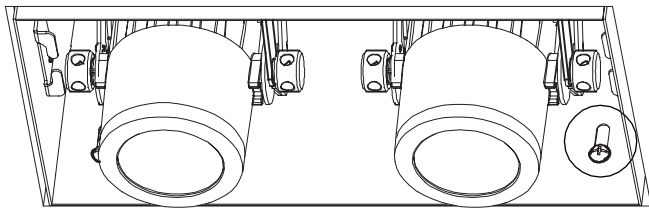
Place all wiring and connectors back in junction box and replace the junction box cover.

- When installing in drywall, cut a hole in the drywall (see the following cutout table). After finished, if necessary, adjust the fixture for ceiling thickness by loosening the housing screws. (See **FIG 10** and **FIG 11**).

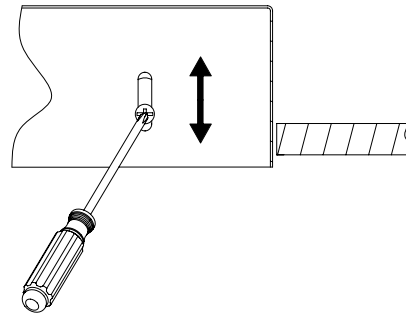


**Black:** Line Hot  
**Green:** Ground  
**White:** Line Neutral  
**Purple:** 0-10V Dim+  
**Grey:** 0-10V Dim-

**FIG. 10**



**FIG. 11**

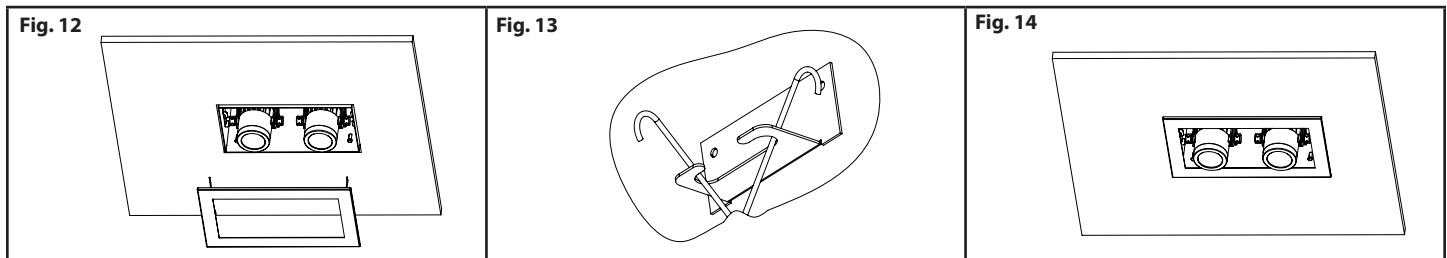


Use template supplied to make appropriate cutout.

TRIMMED	CUTOUT	TRIMLESS	CUTOUT
MT-4115T*/4110T*	5 1/8" X 5 1/8"	MT-4115L*4110L*	5 1/8" X 5 1/8"
MT-4215T*/4210T*	9 3/4" X 5 1/8"	MT-4215L*/4210L*	9 3/4" X 5 1/8"
MT-4315T*/4310T*	14 1/2" X 5 1/8"	MT-4315L*4310L*	14 1/2" X 5 1/8"
MT-4415T*/4410T*	19 1/8" X 5 1/8"	MT-4415L*/4410L*	19 1/8" X 5 1/8"

### TRIM INSTALLATION

- Raise the trim to the housing and attach two sides by securing the torsion spring in the anchor cleat (as **Fig.12**, **Fig.13**).
- Push the trim flush up against the ceiling (as **Fig.14**).



wacighting.com  
Phone (800) 526.2588  
Fax (800) 526.2585

Headquarters/Eastern Distribution Center  
44 Harbor Park Drive  
Port Washington, NY 11050

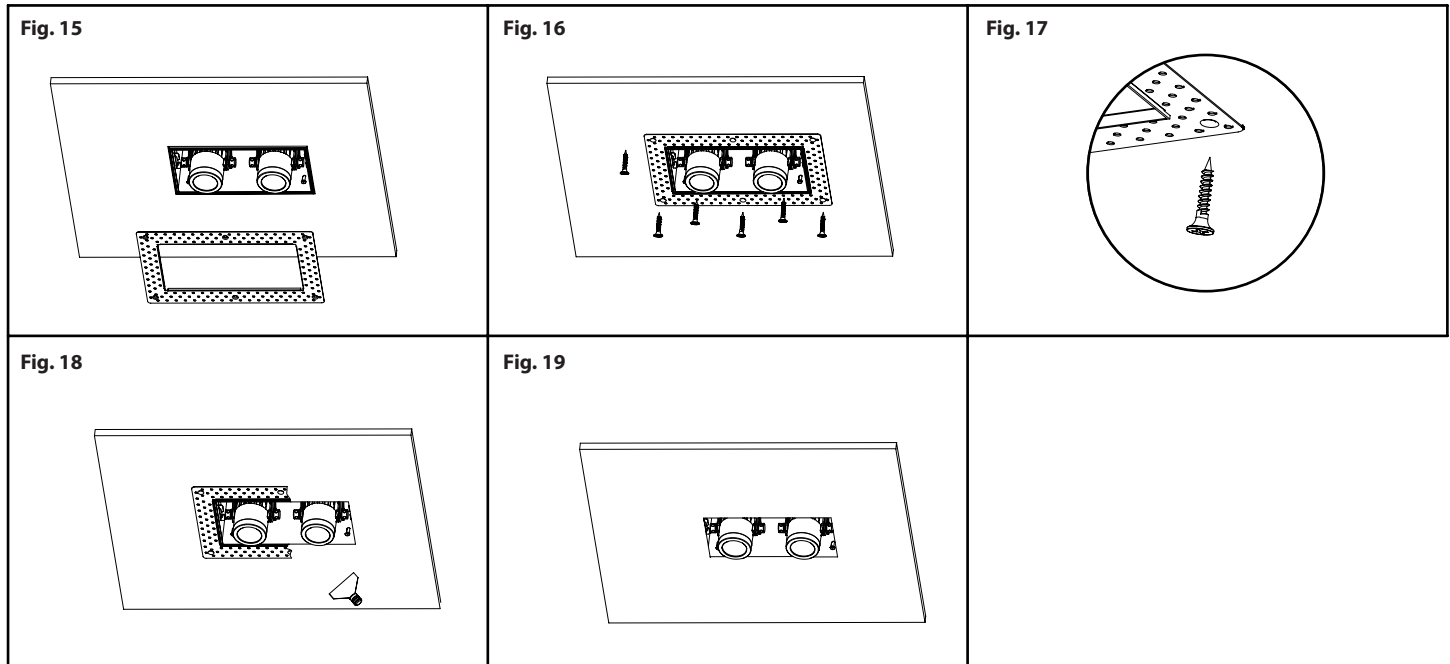
Central Distribution Center  
1600 Distribution Ct  
Lithia Springs, GA 30122

Western Distribution Center  
1750 Archibald Avenue  
Ontario, CA 91760

**INSTALLATION INSTRUCTION**  
**Silo Multiples - New Construction Housing**  
 MT-4\*15, MT-4\*10

**TRIMLESS INSTALLATION**

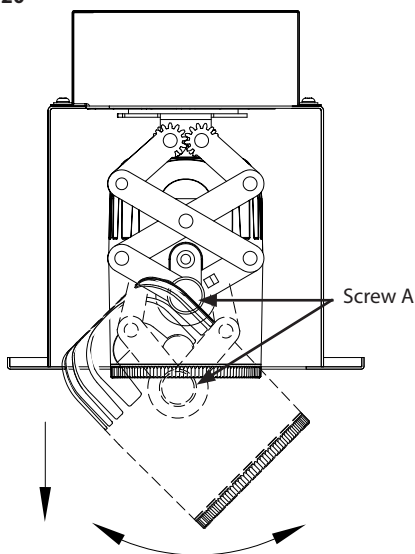
1. Raise the trimless spackle frame to ceiling opening and secure with screws supplied (as **Fig.15**, **Fig.16** and **Fig.17**).
2. Apply plaster or spackle over the trimless spackle frame and sand surface when dry for a finished look (as **Fig.18** and **Fig.19**).



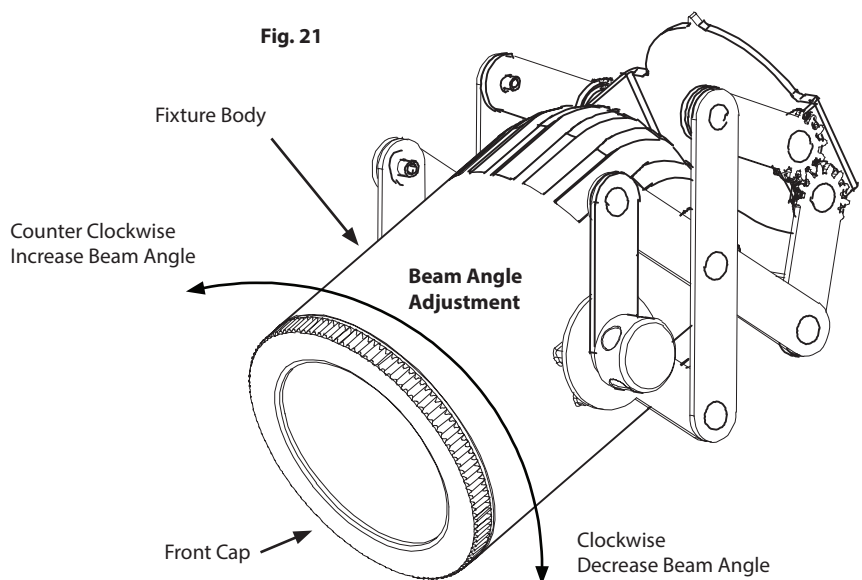
**FIXTURE AIMING AND BEAM ADJUSTMENT (BE SURE FIXTURE IS NOT HOT)**

1. Pull down, twist, or rotate fixture head to desired position. Tighten screw 'A' to lock position (**Fig. 20**)
2. Hold fixture body with one hand and front cap with another. (**Fig. 21**)
3. Grip the front cap with two fingers and rotate it gently clockwise or counter clockwise until desired beam angle is achieved. (**Fig. 21**)
4. Cease rotation when you feel resistance as beam angle is reaching its minimum or maximum. (**Fig. 21**)

**Fig. 20**



**Fig. 21**

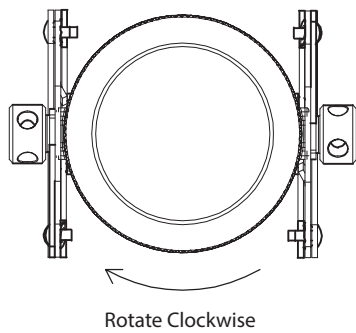


**INSTALLATION INSTRUCTION**  
**Silo Multiples - New Construction Housing**  
 MT-4\*15, MT-4\*10

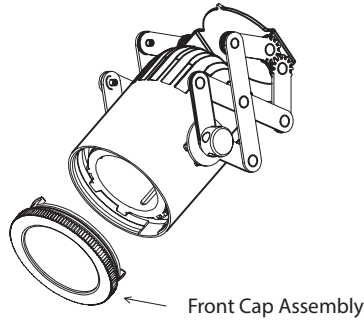
**ACCESSORIES**

1. With the fixture powered off and front cap facing you, rotate the front cap clockwise just passed the position until you feel a "click" (**Fig. 22**)
2. Gently, while holding the fixture body secure, rock the front cap assembly back and forth while pulling it away from the fixture body to remove front cap assembly. (**Fig. 23**)
3. Use a flat-tip-screwdriver to remove the accessory holder by rotating it counter clockwise. (**Fig. 24**)

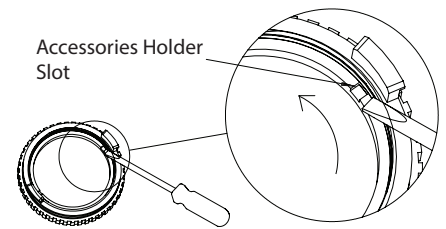
**Fig. 22**



**Fig. 23**

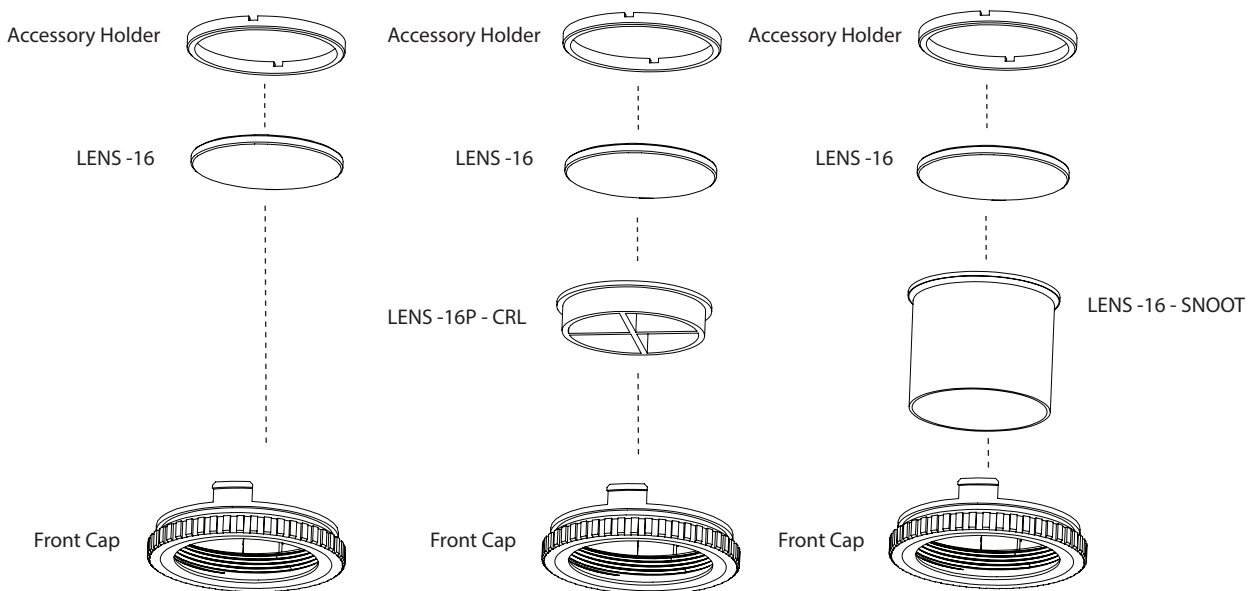


**Fig. 24**



4. Fixture accommodates one lens and one glare control accessory. (Refer to spec sheet for list of compatible accessories). Install accessories between the front cap and accessory holder. Tighten accessory holder after accessories are installed. (**Fig.25**)

**Fig. 25**



INSTALLATION INSTRUCTION  
**Silo Multiples - New Construction Housing**  
MT-4\*15, MT-4\*10

5. Ensure internal fixture lens is still at the top position, and lens holder slots align with fixture body slots. Align the front cap tabs with the fixture body slots and insert the front cap assembly back into the fixture. Once fully inserted, rotate the front cap assembly counter clockwise passed the "click" and to the desired beam angle. (**Fig. 26**)

**Fig. 26**

