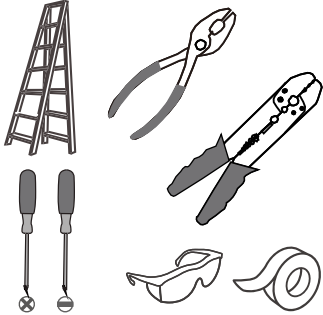
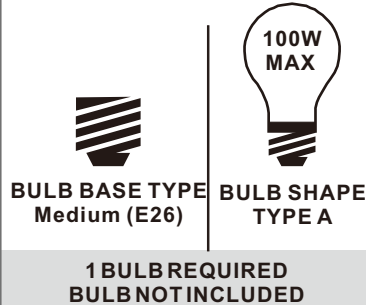


Tools Required



Light Source



Warnings and Cautions

Turn off the electricity at the circuit breaker before installation. Consult a licensed electrician if in doubt about installation.

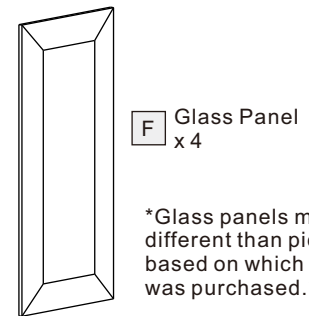
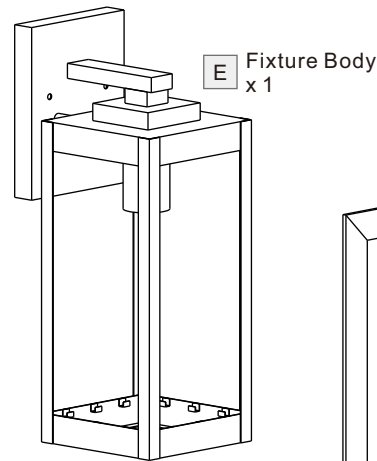
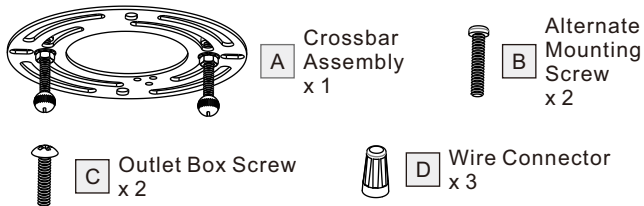
Turn off power to the fixture and allow the bulbs to cool before replacing.

Package Contents

Preparation: Identify and inspect all parts before beginning the installation.



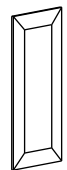
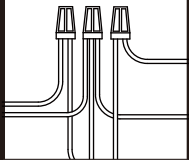
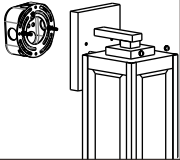

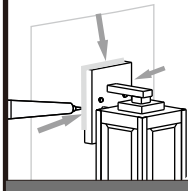
Missing or damaged parts? Contact your original place of purchase.

PARTS BAG



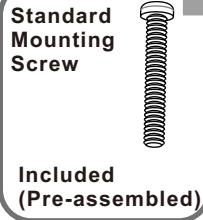
Glass panels may be different than pictured based on which item was purchased.

Table of Contents

Alternate Mounting Screw	Crossbar Assembly	Glass Panel	Wiring	Fixture Body	Bulb	Caulk
						
STEP 1	STEP 2	STEP 3	STEP 4	STEP 5	STEP 6	STEP 7

STEP 1

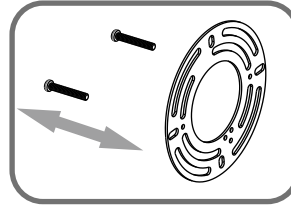
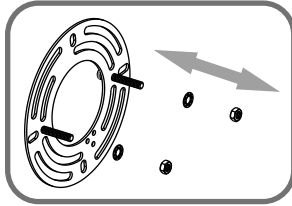
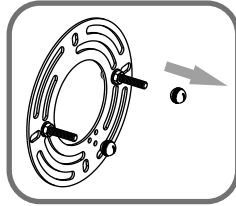
OPTION 1



skip to next page

1 2 3

Steps 1-3 to remove standard mounting screws



4

OPTION 2



Steps 4-6 to reassemble with alternate mounting screws

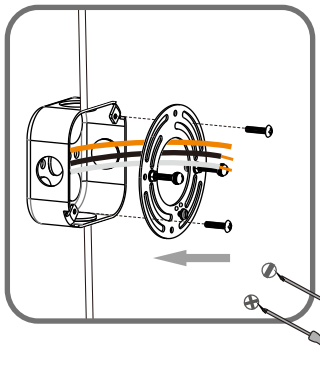
6

5

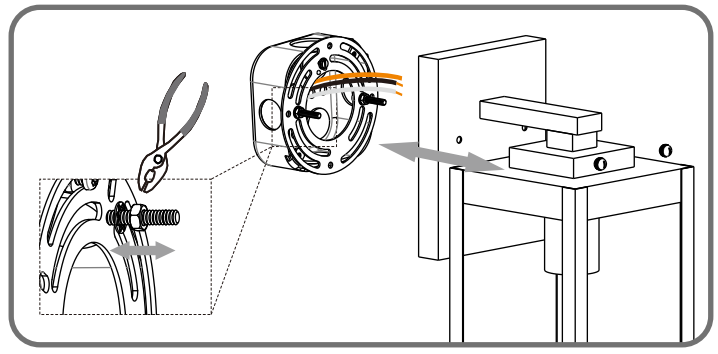
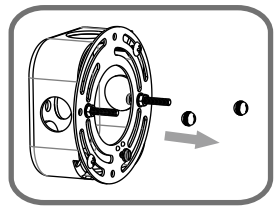
STEP 2

1 2 3

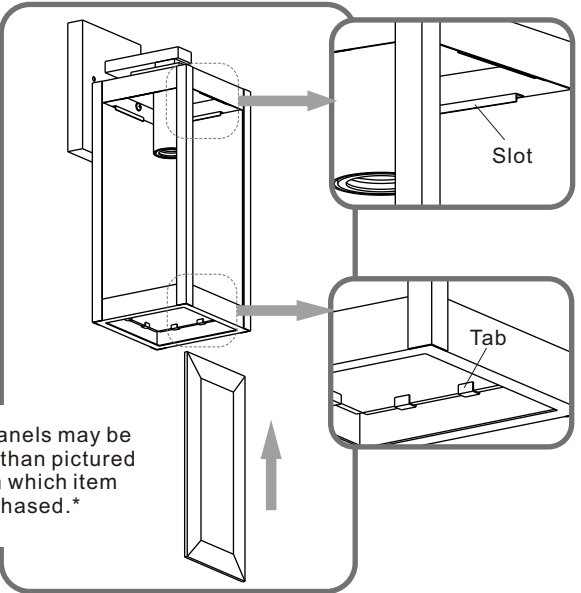
Step 1
Install crossbar assembly



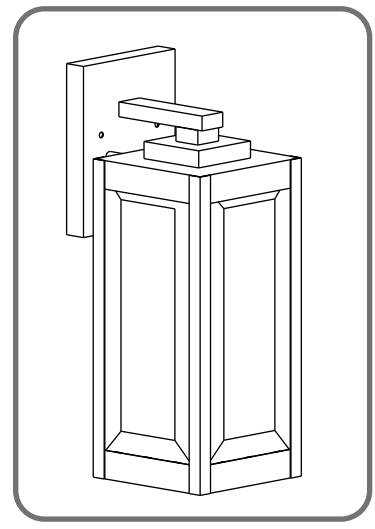
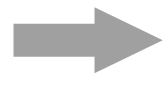
Step 2 - 3
Test fitting backplate to mounting screws



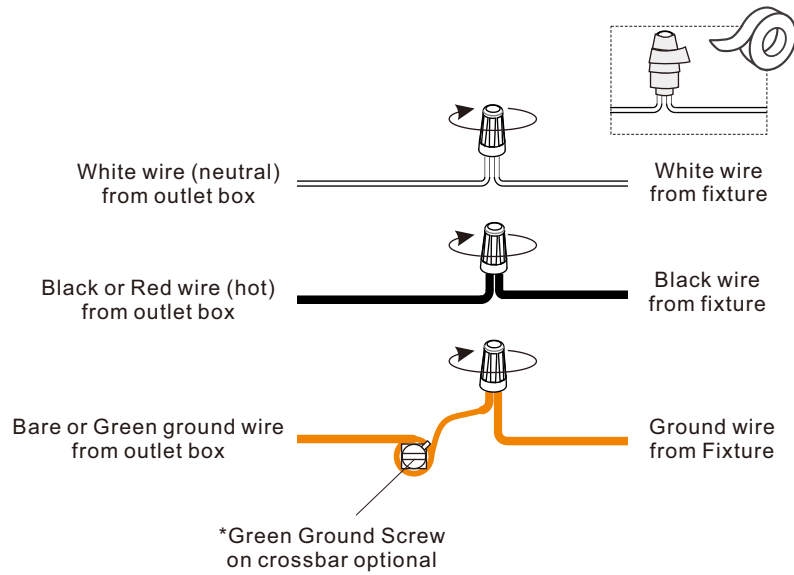
STEP 3



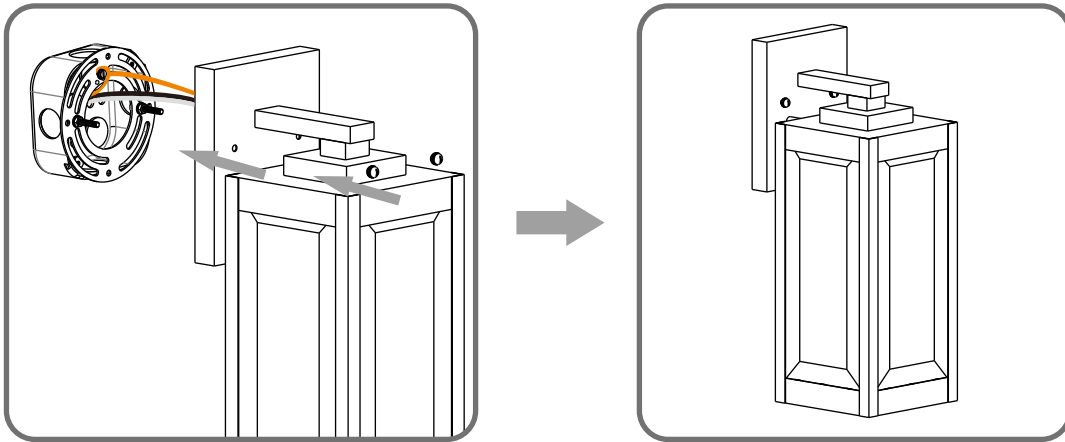
Glass panels may be different than pictured based on which item was purchased.



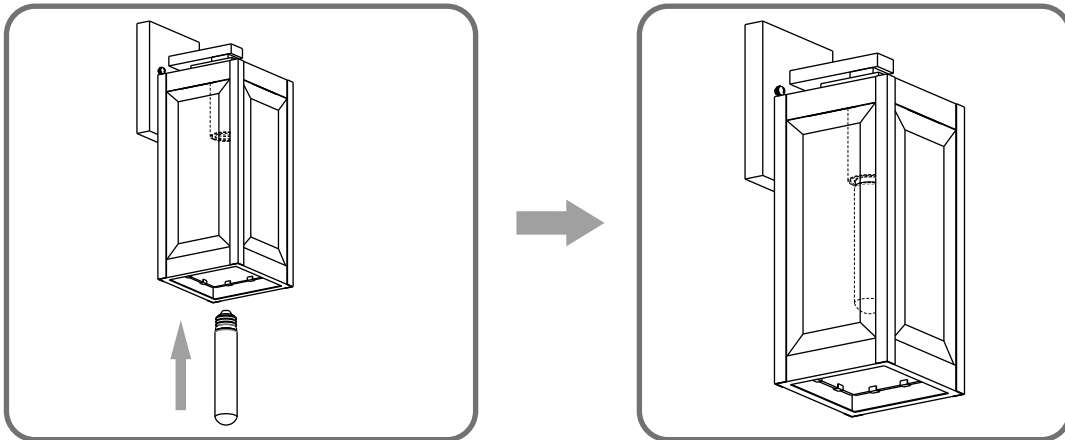
STEP 4



STEP 5



STEP 6



STEP 7

