

TT80010AB

INSTALLATION INSTRUCTIONS

Please read carefully and save these instructions, as you may need them at a later date.

CAUTION

WARNING: Risk of Fire. Consult a qualified electrician to ensure correct branch circuit conductor. Min 90°C supply conductors.

Turn off the main power at the circuit breaker before installing the fixture, in order to prevent possible shock.

GENERAL

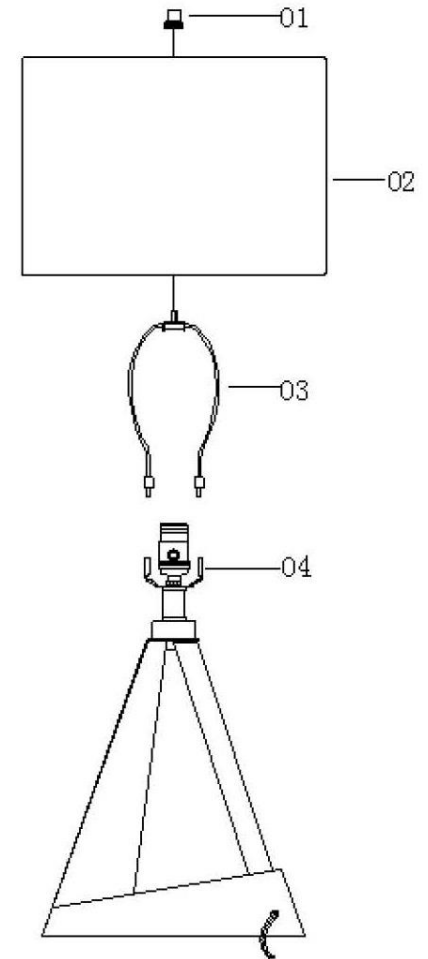
All electrical connections must be in accordance with local and National Electrical Code (N.E.C.) standards. If you are unfamiliar with proper electrical wiring connections obtain the services of a qualified electrician.

Remove the fixture and the mounting package from the box and make sure that no parts are missing by referencing the illustrations on the installation instructions.

ASSEMBLY AND INSTALLATION

1. Loosen the harp caps on harp (03) and insert the bottom ends of harp (03) into saddle (04).
2. Tighten the harp caps on harp (03) until they cover the two-pronged saddle (04).
3. Unscrew the finial (01) from the top of harp (03).
4. Place shade (02) over the harp (03) making sure the harp top extends through the top ring of shade (02), and secure shade (03) with finial (01).
5. Install bulb (not included).
DO NOT EXCEED THE SPECIFIED WATTAGE.

INSTALLATION IS NOW COMPLETE



01. FINIAL
02. SHADE
03. HARP
04. SADDLE