

INSTALLATION INSTRUCTION

LINE™ 2.0 LED With Remote Transformer

LN-LED06P/LED12P/LED18P/LED24P/LED30P

WAC LIGHTING
Responsible Lighting®

WARNING

IMPORTANT: NEVER attempt to do any work without shutting off the electricity.

1. Read all instructions before installing.
2. System is intended for installation by a qualified electrician in accordance with the National Electrical Code and local regulations.
3. Place the wall switch in the "OFF" position.
4. Go to the main fuse box, or circuit breaker. Unscrew the fuse(s) or switch "OFF" the circuit breaker switch(es) that control the power to the space that you are working on.

CAUTION

- All parts must be used as indicated in these instructions. Do not substitute any parts, leave parts out, or use any parts that are worn out or broken. Failure to follow this instruction may invalidate the ETL/cETL listing of this fixture.

AVERTISSEMENT

IMPORTANT : Coupez l'électricité avant TOUTE manipulation.

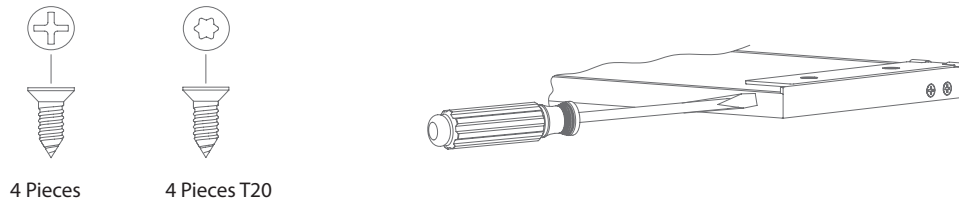
- Lisez toutes les instructions avant d'installer.
- Système est destiné à être installé par un électricien qualifié en conformité avec le code national de l'électricité et les règlements locaux.
- Placez l'interrupteur mural en position d'arrêt (« OFF »).
- Toujours mettre le fusible ou le disjoncteur en position arrêt dans la pièce ou des travaux électriques sont prévus

MISE EN GARDE

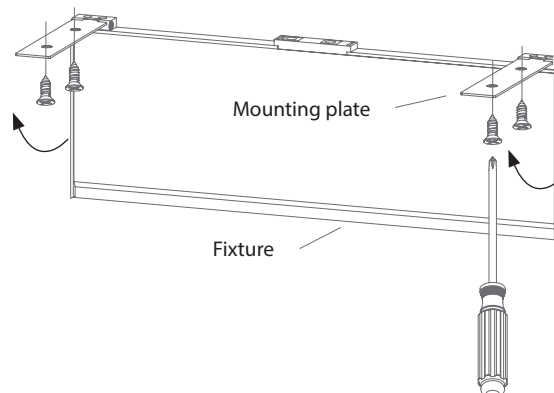
- Toutes les pièces doivent être utilisées tel qu'il est indiqué dans ces instructions. Ne remplacez pas les pièces, n'en laissez pas de côté et ne les utilisez pas si elles sont usées ou brisées. Le non-respect de ces instructions peut annuler l'homologation ETL/cETL du luminaire.

INSTALLATION:

1. Choose the desired mounting position for the LINE™ fixture, recommended either at the back or front of the cabinet.
2. Use a proper tool to separate the mounting plate from the LINE™ light panel.



3. Fasten the mounting plate to surface using the provided mounting screws.
4. Fold up the LINE™ light panel until the integrated magnets snap to the mounting plate.



WAC Lighting
www.waclighting.com
Phone (800) 526.2588 • Fax (800) 526.2585

Headquarters/Eastern Distribution Center
44 Harbor Park Drive • Port Washington, NY 11050
Phone (516) 515.5000 • Fax (516) 515.5050

Western Distribution Center
1750 Archibald Ave • Ontario, CA 91761
Phone (800) 526.2588 • Fax (800) 526.2585



INSTALLATION INSTRUCTION

LINE™ 2.0 LED With Remote Transformer

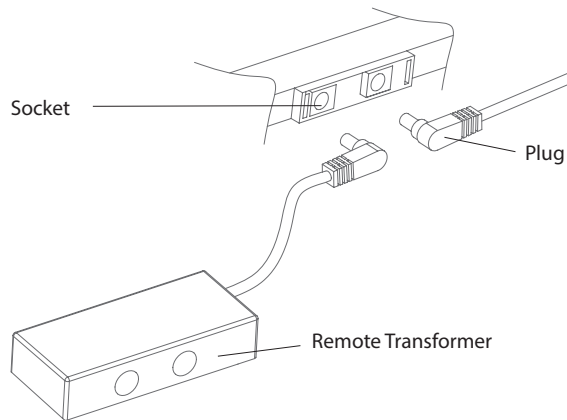
WIRING:

Connecting a Single Fixture:

Insert the plug at the end of transformer cord into either socket on the LINE™ fixture.

Interconnecting Fixtures with Jumper Wires:

Insert the end plug of the jumper wires into each LINE™ fixture socket. See accessories below for different lengths and configurations of jumper wires.



TRANSFORMERS/ACCESSORIES:

NOTE: All transformers and accessories are sold separately.

TRANSFORMERS:

Use to power the LINE™ fixtures. Below is a list of compatible transformer models and descriptions

Model Number	Description
EN-2460-P-AR-S	60W plug-in transformer, 120V AC
EN-24100-P-AR-S	96W plug-in transformer, 120V AC
EN-2460-RB2-S	60W remote transformer, 120V AC
EN-24100-RB2-S	96W remote transformer, 120V AC

The maximum number of LINE™ fixtures that can be interconnected together is shown on the chart below.

Model Number	EN-2460-P-AR-S (60W)	EN-24100-P-AR-S (96W)	EN-2460-RB2-S (60W)	EN-24100-RB2-S (96W)
LN-LED06P	6	11	6	11
LN-LED12P	3	6	3	6
LN-LED18P	2	4	2	4
LN-LED24P	2	3	2	3
LN-LED30P	1	2	1	2

INSTALLATION INSTRUCTION
LINE™ 2.0 LED With Remote Transformer
LN-LED06P/LED12P/LED18P/LED24P/LED30P

JUMPER WIRES:

Use to link multiple LINE™ fixtures through surface wiring. They are available in following length and configurations:

Model Number	Description
SL-IC-06	6 inch jumper wire
SL-IC-12	12 inch jumper wire
SL-IC-24	24 inch jumper wire
SL-IC-36	36 inch jumper wire
SL-EXT-144	12 ft. jumper wire
SL-Y	Y connector
SL-X	X connector
SL-IF	Female jumper wire connector

TERMINAL BLOCKS:

Use to connect up to 8 LINE™ fixtures independently.

Model Number	Description
MTB-08	Connects up to 8 fixtures

WIRING BOX WITH SWITCH:

Use when spanning a large gap in a system layout without leaving exposed wiring.

Model Number	Description
TB-S	12V/24V 4A, 12AWG to 20AWG