

SAFETY INFORMATION

Please read and understand this entire manual before attempting to assemble, install or operate the product.

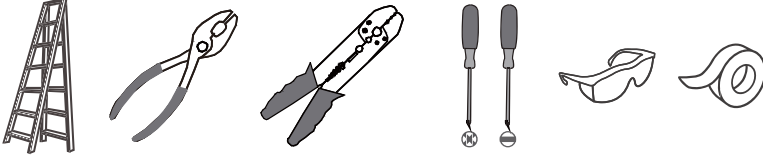
WARNING

- RISK OF ELECTRIC SHOCK - Before beginning installation, turn off electricity at the circuit breaker box or the main fuse box.

CAUTION

- For your safety, read instructions completely before beginning installation.
- If in doubt about electrical installation, consult a licensed electrician.

TOOLS REQUIRED



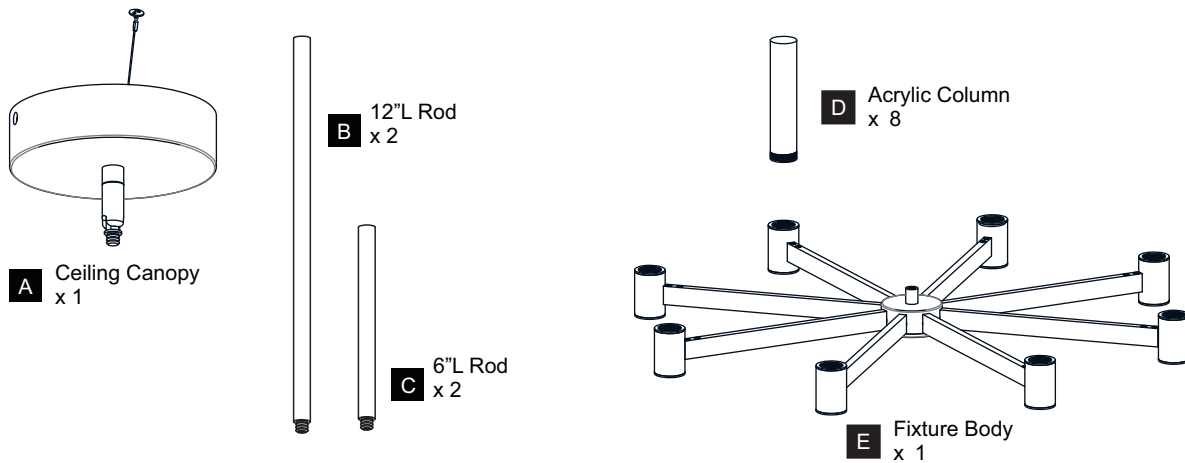
Ratings	120Vac, 60Hz	
	Model No.	Wattage
	PCADR5030BN	27W
	PCADR5030MBK	27W

CARE AND MAINTENANCE

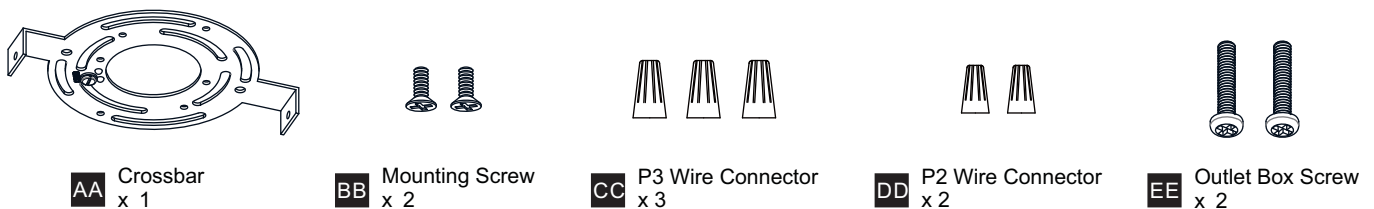
- Wipe clean using soft, dry cloth or static duster. Always avoid using harsh chemicals and abrasives to clean fixture as they may damage the finish.

If you need further assistance call Quozel Customer Care at 1-800-645-3184 (9:00am - 5:00pm EST), or visit us on-line at www.quezel.com.

PACKAGE CONTENTS



MOUNTING HARDWARE



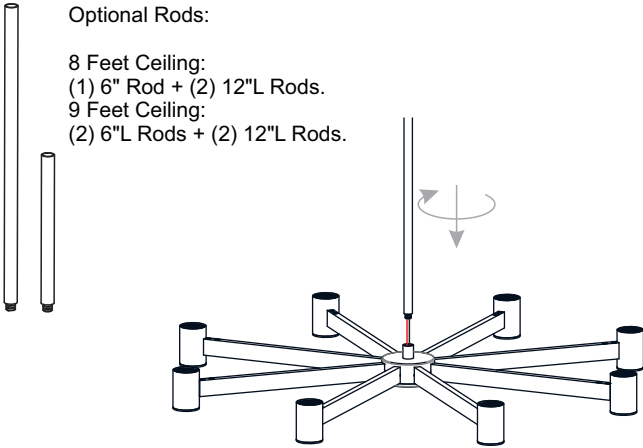
INSTALLATION

1 Install Rods

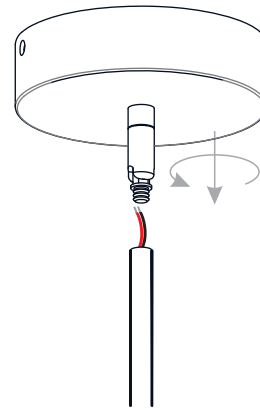
Optional Rods:

8 Feet Ceiling:
(1) 6" Rod + (2) 12" L Rods.

9 Feet Ceiling:
(2) 6" L Rods + (2) 12" L Rods.

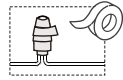


2 Install Ceiling Canopy to Upper Rod



3 Connect Fixture Wires to Driver

P2 Wire Connector



Red wire from driver
identified with label "LED +"

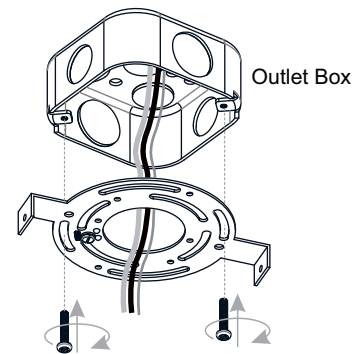
Red wire from fixture
identified with label "LED +"

Black wire from driver
identified with label "LED -"

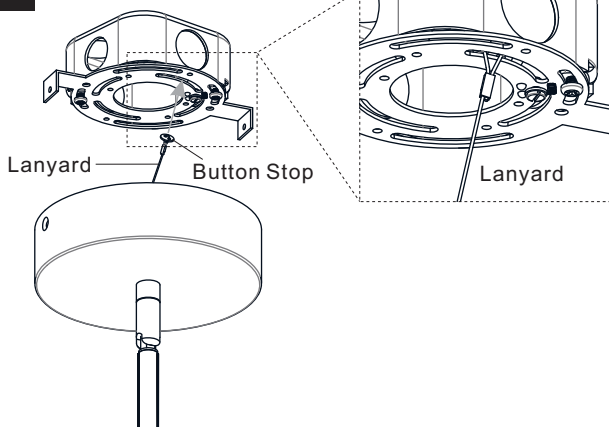
Black wire from fixture
identified with label "LED -"



4 Install Crossbar

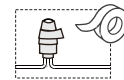


5 Install Lanyard



6 Connect Supply Wires to Driver

P3 Wire Connector



White wire from supply

White wire from driver

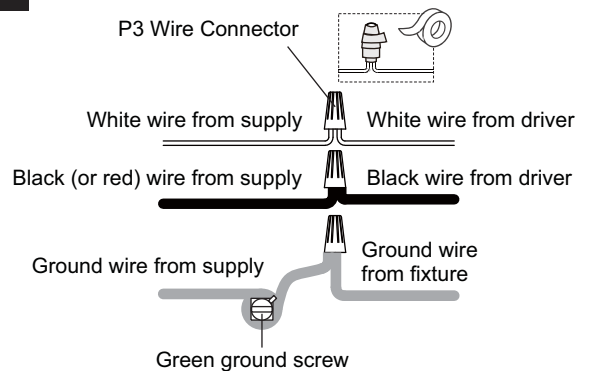
Black (or red) wire from supply

Black wire from driver

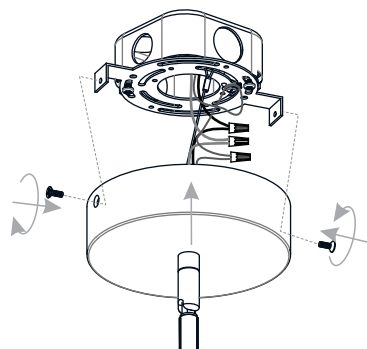
Ground wire from supply

Ground wire from fixture

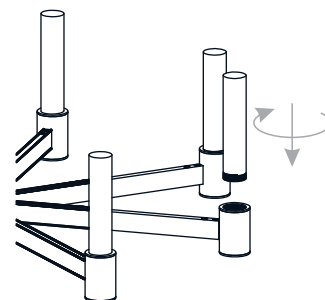
Green ground screw



7 Install Ceiling Canopy to Crossbar



8 Install Acrylic Column



Your installation is now complete! Restore electricity and save this sheet for future reference.