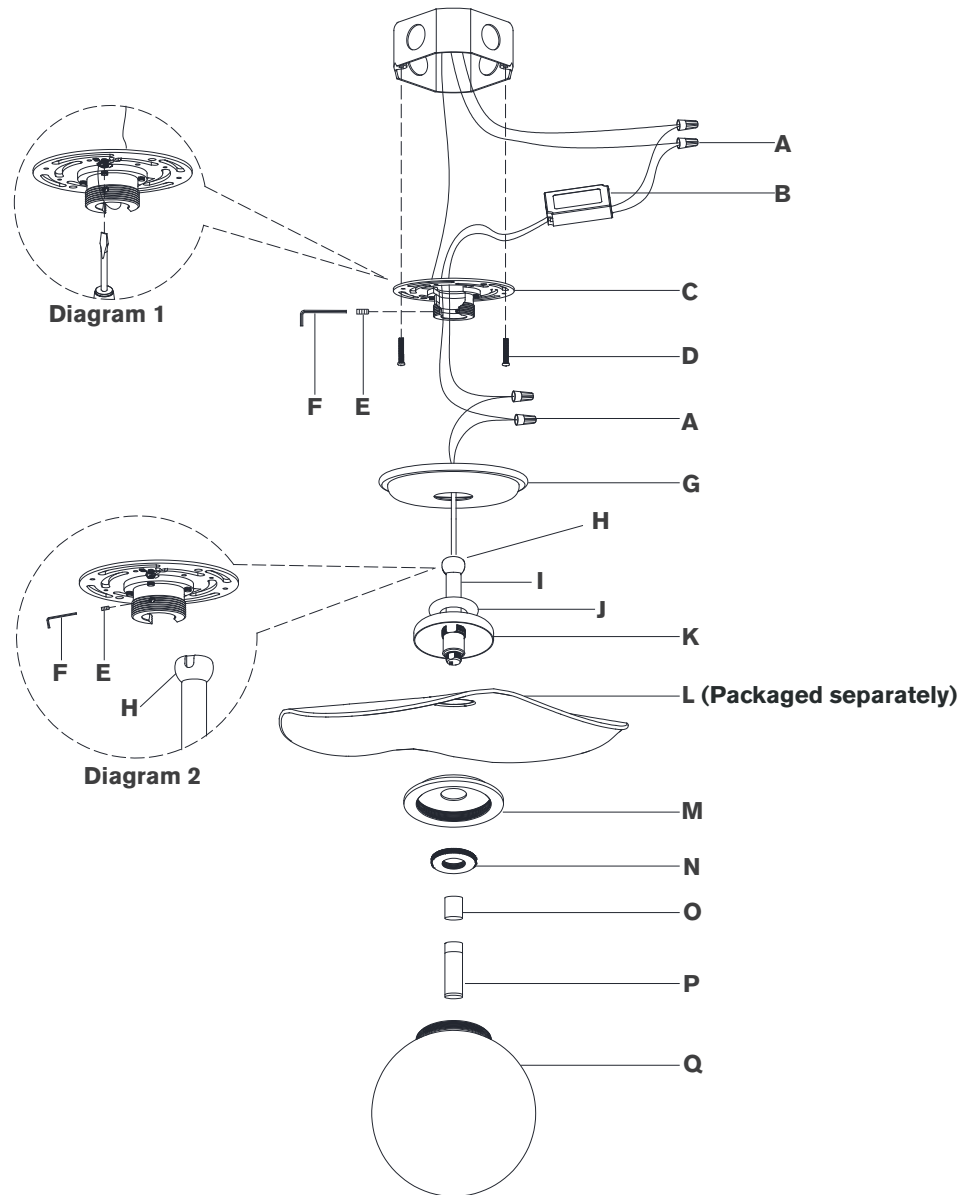


## ASSEMBLY INSTRUCTIONS



## Mahalo 22" Semi-Flush Mount

Item # WS 4040

### NOTICE:

This light fixture should be installed in accordance with all applicable, local installation codes, and by a person familiar with the construction and operation of it, as well as the hazards involved. Inspect item and contents carefully. If any damage or defect is found, do not install. Retain all packaging material until installation is complete and approved.

### TOOLS REQUIRED (NOT INCLUDED):

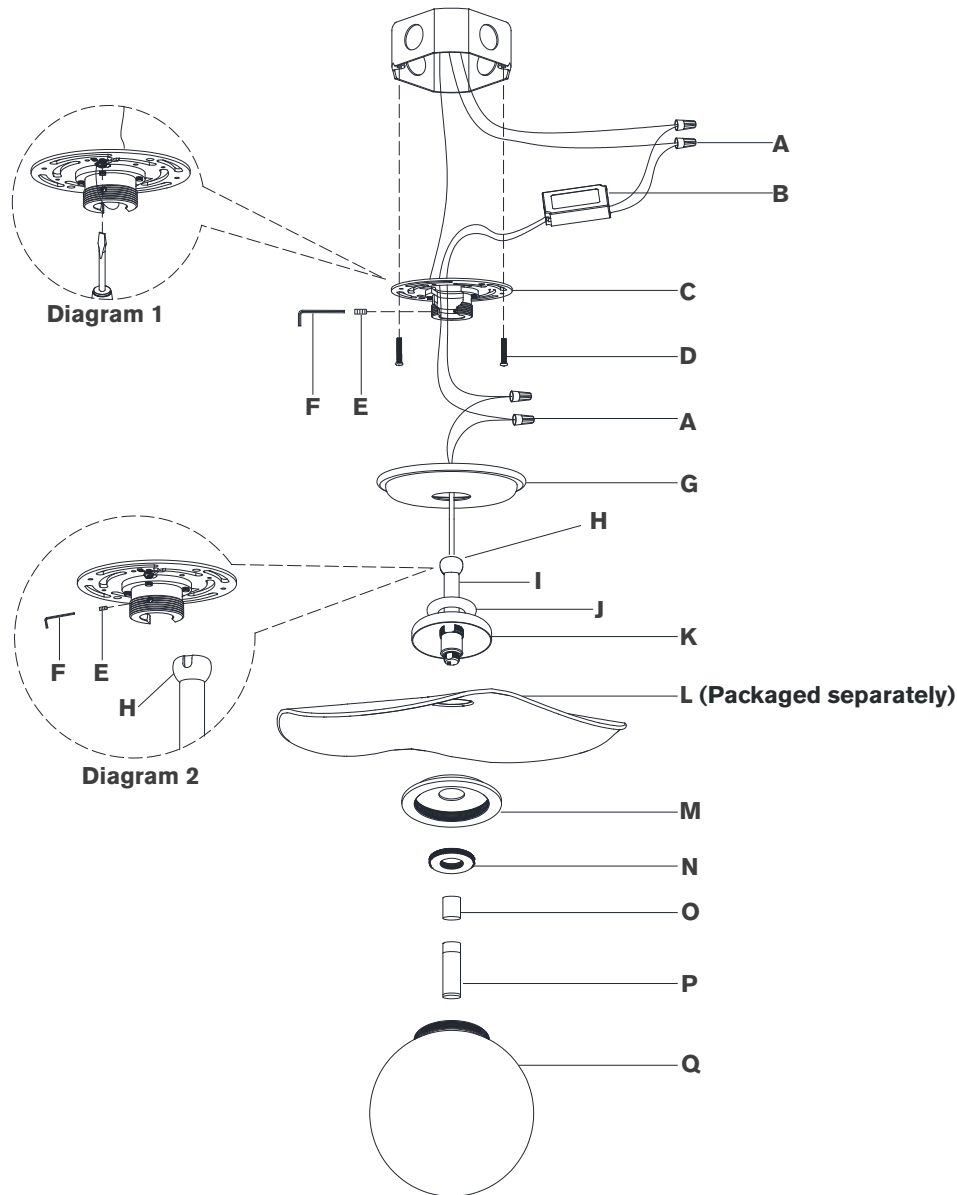
Phillips Screwdriver	Slotted Screwdriver	Wire Cutters
Wire Strippers	Slip-joint pliers	

- Carefully remove all parts from the box. Place on a clean, soft surface.
- Remove mounting plate (C) from canopy (G) by removing collar ring (J).
- Connect driver (B) input neutral wire (white) to the supply neutral wire (usually white) using wire nut (A).
- Connect driver (B) input hot wire (black) to the supply hot wire (usually black) using wire nut (A).

**CAUTION:** Do not reverse the hot and neutral connections.

- Make sure all wire connections are tight, then carefully tuck into the junction box.
- Insert driver (B) into junction box.
- Install mounting plate (C) to the junction box and secure with mounting screws (D).
- Wrap supply ground wire (usually green or bare copper) around the green grounding screw (see diagram 1). Tighten.
- NOTE:** It is imperative that the fixture is grounded.
- Feed fixture wires through canopy (G), then holding fixture upright, slide collar ring (J) and canopy (G) down rod (I) and rest on top of fixture.
- Hang fixture swivel ball (H) to center of mounting plate (C) and secure with set screw (E) using provided wrench (F). See diagram 2.

## ASSEMBLY INSTRUCTIONS



## Mahalo 22" Semi-Flush Mount

Item # WS 4040

### NOTICE:

This light fixture should be installed in accordance with all applicable, local installation codes, and by a person familiar with the construction and operation of it, as well as the hazards involved. Inspect item and contents carefully. If any damage or defect is found, do not install. Retain all packaging material until installation is complete and approved.

11. Connect fixture neutral wire (black) to driver (B) output wire (black) using wire nut (A).
12. Connect fixture hot wire (red) to driver (B) output wire (red) using wire nut (A).
13. Install canopy (G) to mounting plate (C) and secure with collar ring (J).
14. Install shade (L) and metal cap (M) to fixture (K) and secure with metal ring (N).
15. Remove protective cap (O) from fixture (K), then thread LED light source (P) to fixture (K).
16. Thread glass shade (Q) to fixture (K).

**NOTE:** Do not over-tighten otherwise glass could become damaged.

**Care Instructions:** Clean only with a soft dry cloth or feather duster. Do not use abrasive or chemical agents.