

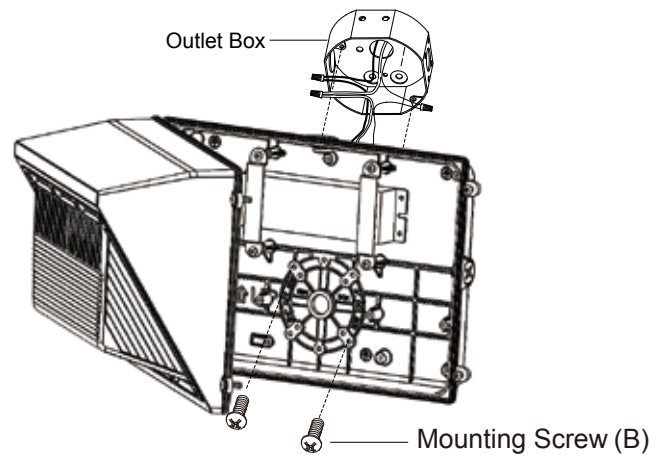
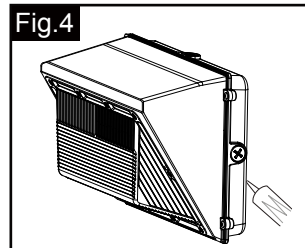
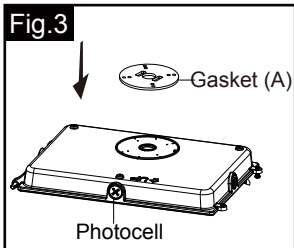
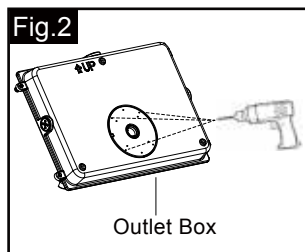
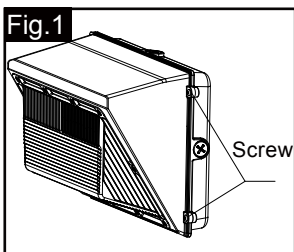
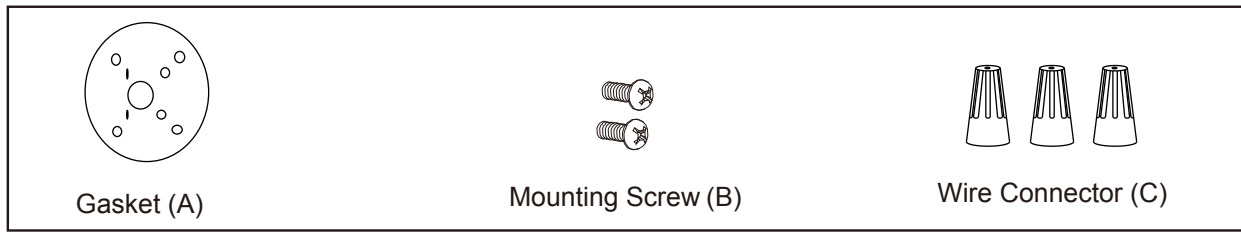
ASSEMBLY AND INSTALLATION INSTRUCTIONS

T0673

WARNING: TO AVOID RISK OF ELECTRICAL SHOCK, BE SURE TO SHUT OFF POWER BEFORE INSTALLING OR SERVICING THIS FIXTURE.

NOTES: 1. Before installing, consult local electrical codes for wiring and grounding requirements.
2. READ AND SAVE THESE INSTRUCTIONS.

Hardware Package (included):



Installation Steps

Turn off the power at fuse or circuit box.

1. Loosen the two mounting base screws using a philips screwdriver. Take apart the lamp shade from base (See Fig.1).
2. Drill installation holes at the back of the light. Measure the size of your outlet box to match the fixed screw hole and mark the hole position to drill out by power drill (See Fig.2).
3. Remove the protective paper from the adhesive gasket (A), and thread the fixture wires through gasket (A) to align the hole of gasket (A) and the installation hole at the back of light, then adhere the gasket (A) to the back of light (See Fig.3).
4. Make wire connections using attached three wire connector (C) as follows:
 - Black to Black
 - White to White
 - Green Ground to house Ground
5. Fixing the light base on the outlet box at the wall by two screws (B). Reattach the lamp shade to the light base.
6. Close the fixture cover and tighten the two mounting screws. (See Fig.1).
7. Caulk around the mounting plate and surface with silicone sealant (not included) (See Fig.4).

Turn on the power at fuse or circuit box

OPERATIONAL INSTRUCTIONS

Dusk-to-dawn operation enables the light fixture to automatically turn ON when dark outside and turn OFF when the sun rises, thus saving you energy.

TIP: To test if the light fixture and photocell works properly run power to the fixture and cover the photocell to turn fixture ON. Shine a light into the photocell to see if fixture turns OFF.

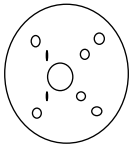
Note: If photocell on the top of the light fixture is located in an area under heavy shade the photocell may not detect enough light and may turn the light fixture on.

LOCATION: Fixture can be wall mounted.


Fixture designed for wall mount above 4 ft. only. Mount fixture to a grounded standard junction box marked for use in wet locations. Suggest to install the light fixture between 9 ft. and 20 ft. above the ground.

The following parts are available for re-order if damaged or missing.

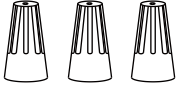
Spare Parts List:



Gasket (A)



Mounting Screw (B)

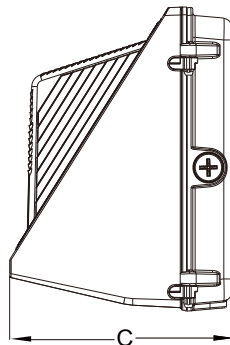
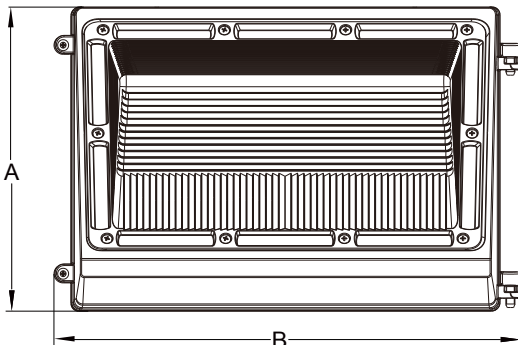


Wire Connector (C)

Assembly Kit
6441MM (1 SET)

TROUBLESHOOTING

Problem	Possible Cause	Solution
Light does not turn ON	No power to the fixture.	Check if circuit breaker is tripped and confirm wall switch is ON. Verify wiring to fixture is correct (turn power off to fixture beforehand).
Light cycles ON and OFF continuously	Photocell light sensor is sensing reflected light.	Relocate light fixture to a location where there is no reflected light.
Light Flickers	The light fixture is wired through an unsuitable dimmer.	Replace the dimmer switch to a standard ON/OFF wall switch.
Light stays ON	Light sensor is in a shaded area.	Shine a flashlight into the light sensor and wait a couple minutes. If the light turns OFF, the fixture should be moved to a location with enough light in the daylight hours for the light sensor to work.



A: 9-1/4"

B: 14-1/4"

C: 7"