

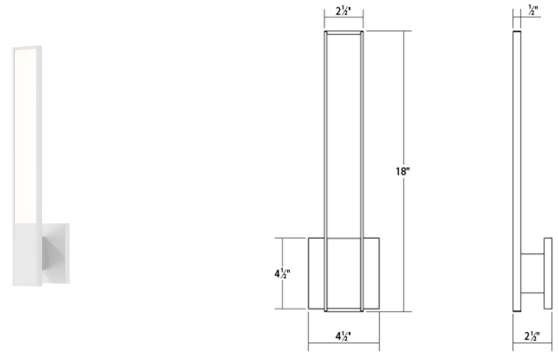
Project:

# Planes LED Sconce Spec Sheet

SKU: 2680.03    Learn more at:  
<https://sonnemanlight.com/planes-led-sconce>

Description: Pristine in its geometric simplicity, precisely framed minimal profiles capture technologically advanced edge-lit light panels, producing a high level of efficient LED illumination. Available in single and double versions, Double Planes can be mounted in vertical or horizontal orientations. Also available as a [Double Sconce](#) and [Pendant](#).

Type #:



## Dimensions

Height:	18"
Width:	2.5"
Extends:	2.5"
Minimum Extension:	2.5"
Maximum Extension:	2.5"
Canopy/Backplate/Base Width:	4.5
Canopy/Backplate/Base Depth:	0.5
Canopy/Backplate/Base Height:	4.5

## Electrical Specs

Bulb(s) Included?:	Yes
Bulb 1 Type:	Integral LED
Bulb Quantity:	1
Input Voltage:	120VAC
Wattage:	6
Initial Lumens:	700
Delivered Lumens:	250
Color Temperature:	3000K
CRI:	90
Power Supply Type:	Driver
Power Supply Quantity:	1
Power Supply Location:	Outlet Box
Dimming Type:	TRIAC/ELV
Bulb Max Wattage:	6

## Installation

Installation:	Licensed electrician required
Installation Orientation:	Vertical

## Shipping

Carton 1 L x W x H:	21" X 7" X 8"
Carton 1 Gross Weight:	3 LBS

## Shade

Shade 1 Material:	Aluminum w/LED Flat Panel
-------------------	---------------------------

## Available Finishes

Available Finishes: Bright Satin Aluminum (.16), Satin Black (.25), Satin White (.03)

## General Listings

Features:	Damp Rated
Certification:	cETL
Color/Finish:	Satin White (.03)
Dark Sky Friendly:	N