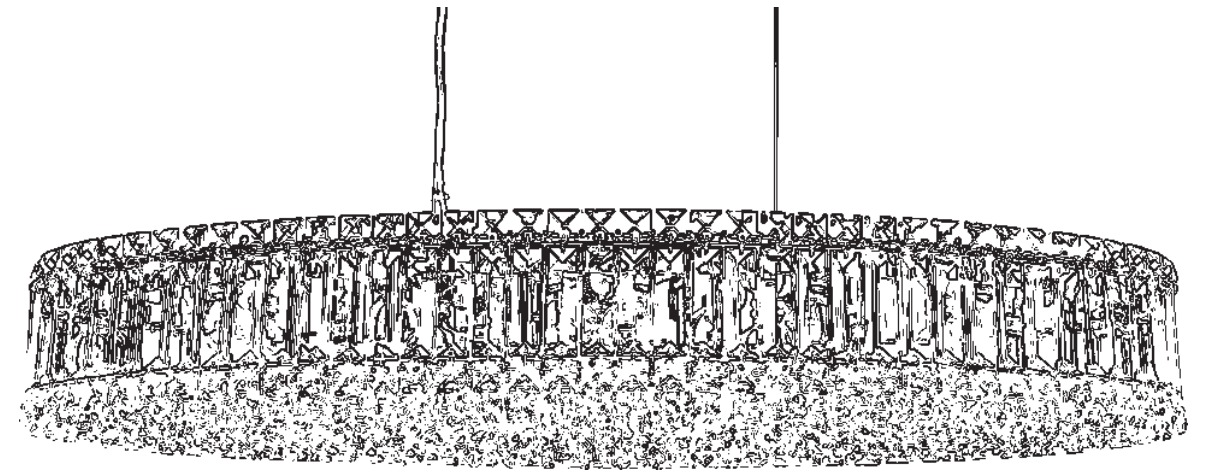


PLAZA 6678- _____ TRIM DIAGRAM

(Trim Option)

THIS DESIGN IS THE PROPRIETARY TRADE DRESS/TRADEMARK OF SCHONBEK WORLDWIDE LIGHTING INC.



16 Lights
 Length: 34"
 Width: 16"
 Height: 5"
 Hanging Weight: 35 lbs.



SCHONBEK®

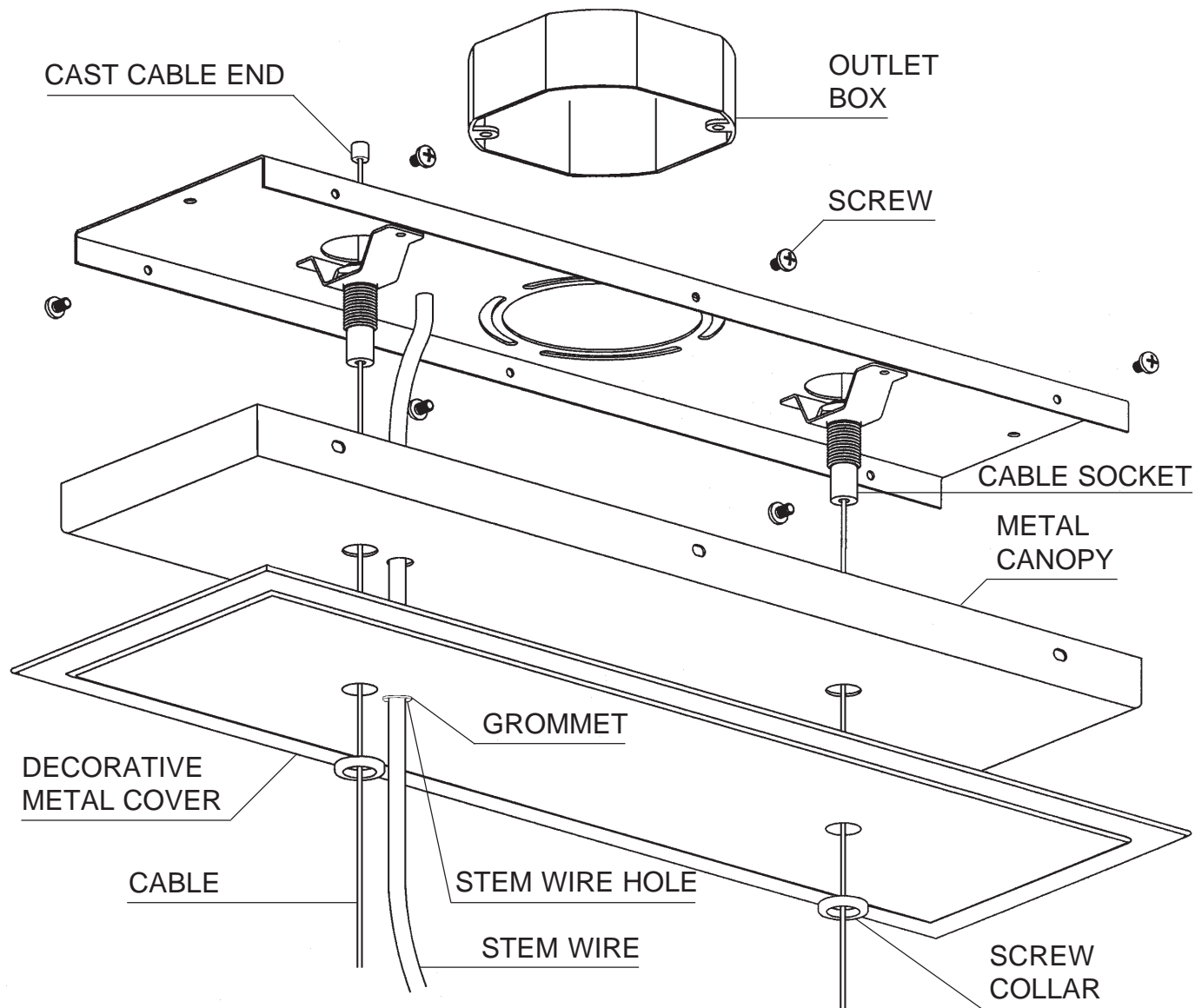
**See diagram on back page
 Follow steps in exact order
 Save this trim diagram for future reference**

1 **IMPORTANT**
 Person who opens carton should record the following information for future service.

CODE # _____	Four-digit number on outside of carton.
PACKER # _____	See crystal package label.
ORDER # _____	See crystal package label.

SCHONBEK IS A WORLD LEADER IN CHANDELIER DESIGN. PATENTS INCLUDE: #5,144,541

Instructions for electrician STEP 2



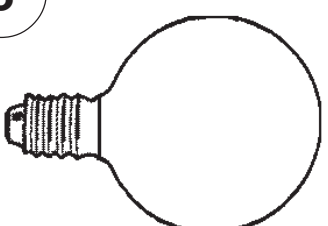
2 Remove screw collars, decorative metal cover and metal canopy from the canopy assembly. Feed suspension cables through cable sockets from the top so that the cast cable end is seated in the inside of the cable socket. Feed cables and stem wires through metal canopy, decorative metal cover and screw collars before attaching cables to frame. Slide cables into gliders and allow it to play out of the side of the cable gliders. To adjust height, depress the cable grippers until the cable is released to move the frame up and down the cable. Feed stem wire through stem wire hole in decorative metal cover and metal canopy (the smaller hole with the grommet). When chandelier is at desired height, trim stem wire and connect ground wire (marked with green tracer) and power wires (black or white tracers) in outlet box. Raise metal canopy and decorative metal cover to ceiling and secure to running thread with the screw collars. Supplied are 4 cable grips. Adjust along stem wire and clip to support cable as desired. Cut suspension cable with cable cutters leaving about 1/2" protruding from the side of the cable gliders.



Instructions for crystal trimming

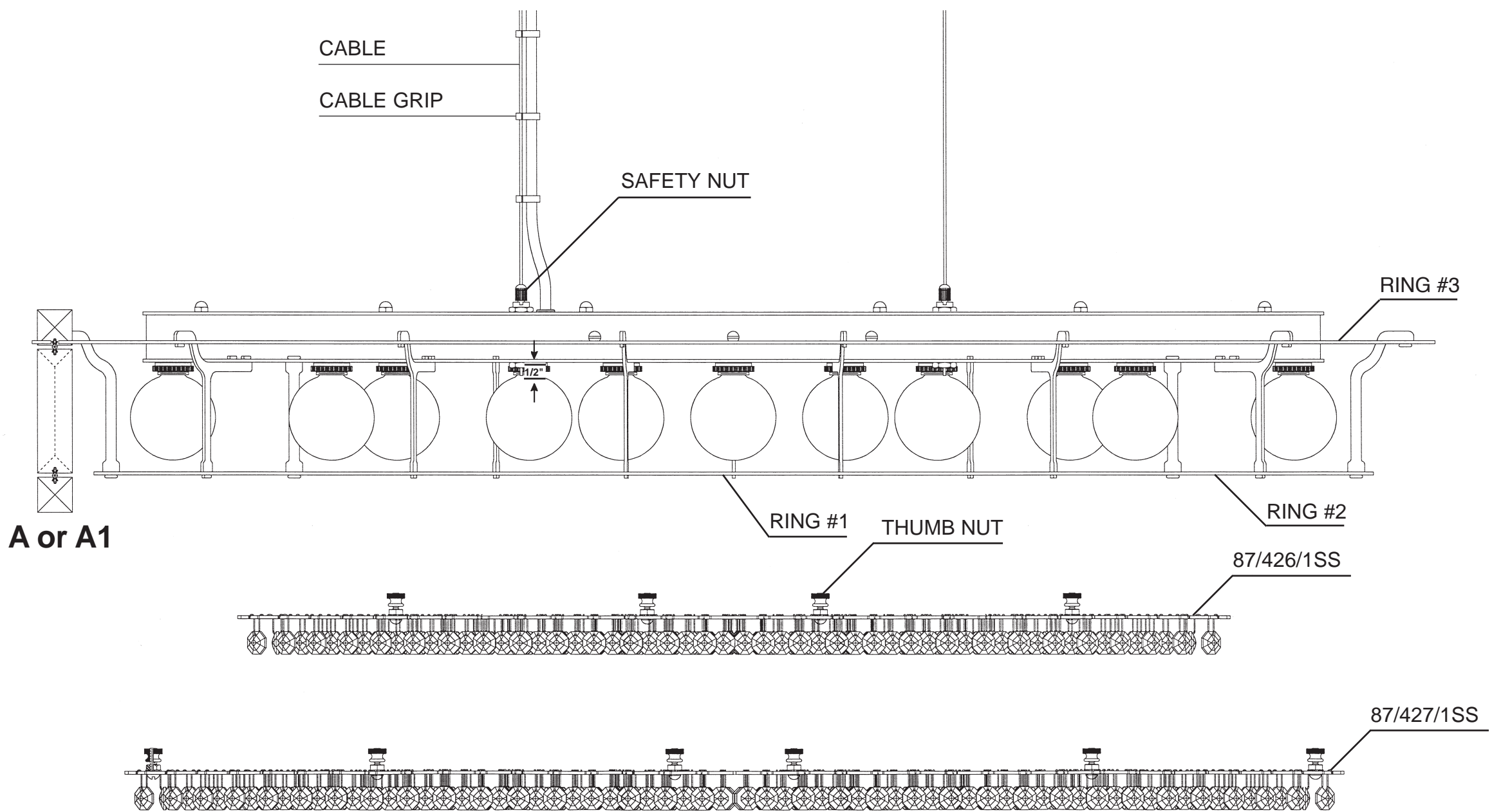
STEPS 3 - 5

3



You will need 16 - G16-1/2
40 Watts Max
25 Watts recommended
(Supplied - Schonbek #: 30764)

**Install bulbs and be sure to test
fixture BEFORE trimming.**



4 Install two bottom crystal grids with twenty thumb nuts (already screwed onto grids) to bottom of rings #1 & #2.

5 Hang chain "A" into ring #3. Hold chain by the top square crystal. (NOTE: Flat side of large crystals face out and chains are also symmetrical so either end will work!) When trimming a ST fixture, alternate hanging A & A1 chains. Insert square crystal into the pocket of the top plate. (Diagram #1) Lower the chain until the top square stone seats itself into the pocket.

