

Please go to www.quoizel.com for product cleaning tips. Go to the **Care + Maintenance** selection.

Tools Required: Flathead screwdriver, Phillips screwdriver, pliers, wire cutters, wire strippers, electrical tape, safety glasses.

Light Source: (1) A19 Medium Base Bulb 100W Maximum.

Estimated Assembly Time: 20-30 minutes

Preparation: Identify and inspect all parts before beginning installation. Check package content list and diagrams below to be sure all parts are present. If any parts are missing or damaged, do not attempt to assemble, install, or operate the fixture. Contact customer service for replacement parts.

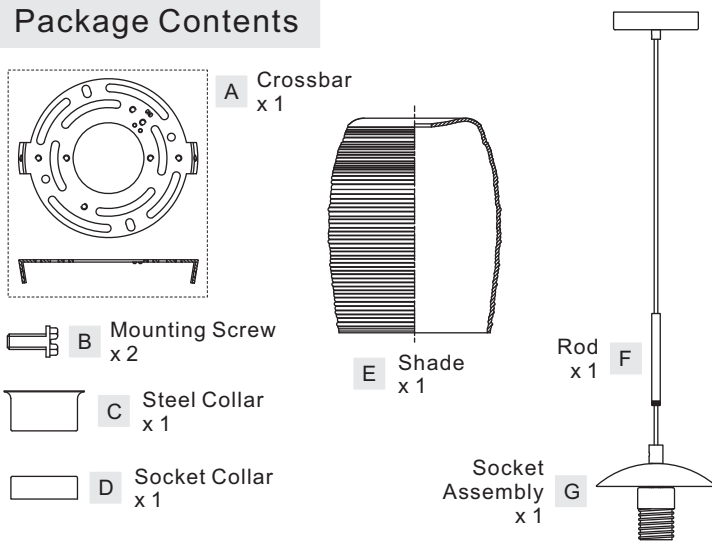
⚠ Warnings and Cautions

Turn off electricity at circuit breaker or main fuse box before installation. Consult a licensed electrician if in doubt.

These instructions are provided for your safety. It is very important you read them completely before installing the fixture. We strongly recommend that a licensed, professional electrician perform the installation.

Disconnect fixture from power source before replacing bulbs. Make sure bulbs are given sufficient time to cool before removal.

Package Contents



STEP 2 – Adjust Fixture Height

- Unlock Set Screw on the Coupling by using screwdrivers.
- With screwdrivers, remove the Screw to open the Wire Clasp in the ceiling canopy.
- Adjust the Wire in or out of the Ceiling Canopy to achieve your desired hanging height. Once your desired hanging height is achieved, tight the Set Screw on the Coupling with screwdrivers.
- Attach Wire to Wire Clasp in the Ceiling Canopy and secure with the Screw previously removed. Tighten until snug with screwdrivers.

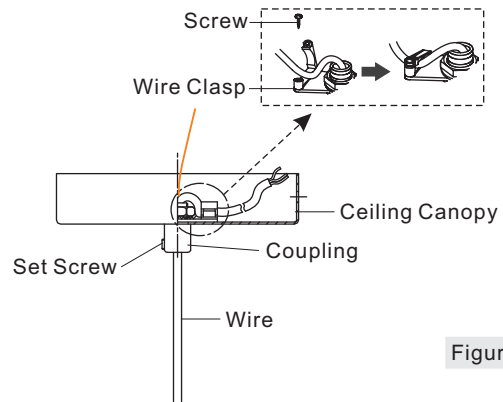


Figure 2

STEP 1 – Install Rod and Shade

- Thread the Rod (F) onto the Socket Assembly (G) and hand tighten until snug.
- Place the Shade (E) and the Steel Collar (C) over the Socket as shown. Secure by threading the Socket Collar (D) onto Socket. Hand tighten until snug.

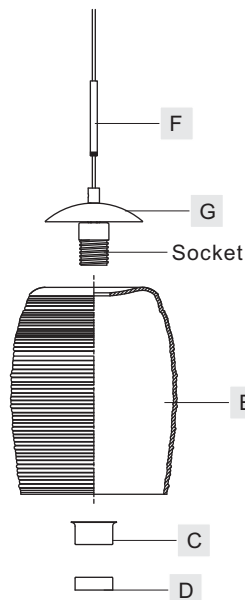


Figure 1

STEP 3 – Install the Crossbar to the junction box

- Attach the Crossbar (A) to the Outlet Box with the head of the Green Ground Screw facing you. Secure it with Outlet Box Screws (not included), tighten until snug.

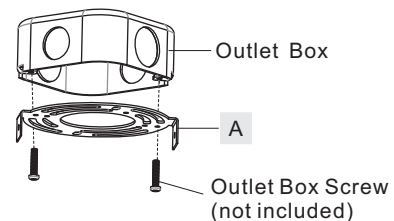


Figure 3

Thank you for purchasing a Quoizel product.
Need assistance with parts or assembly? Call Quoizel customer service at 1-800-645-3184
or visit us on-line at www.quoizel.com

STEP 4 – Make Wire Connections

- A. Use standard wire connectors (not included) to make all wire connections. Twist connectors until wires are tightly joined together. Wrap each connection with approved electrical tape and carefully stuff all the connected wires into the Outlet Box.
- B. If the electrical wire is going to be cut shorter than provided, strip back the clear wire covering the 3 fixture wires as far as you need to. This will expose each fixture wire individually. Strip each end of 3 fixture wires.

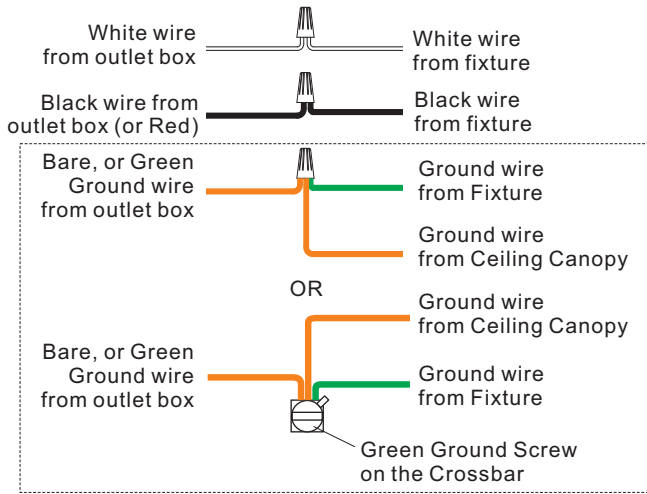


Figure 4

STEP 5 – Attach Ceiling Canopy to Crossbar

- A. Place ceiling canopy over the Crossbar (A). Line up Holes on the side of ceiling canopy and the Mounting Hole on the Crossbar (A). Secure by threading Mounting Screws (B) into the Crossbar (A). Tighten until snug.

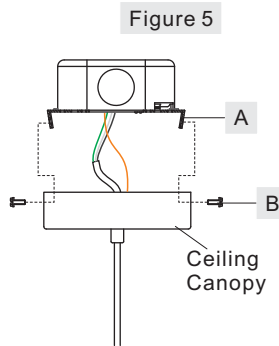


Figure 5

STEP 6 – Install Bulb

- A. Insert bulb into socket and screw snugly into place.
- Your fixture is now assembled and ready to use. Enjoy!

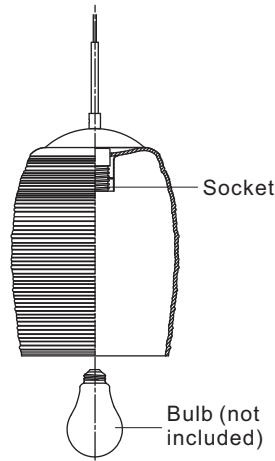
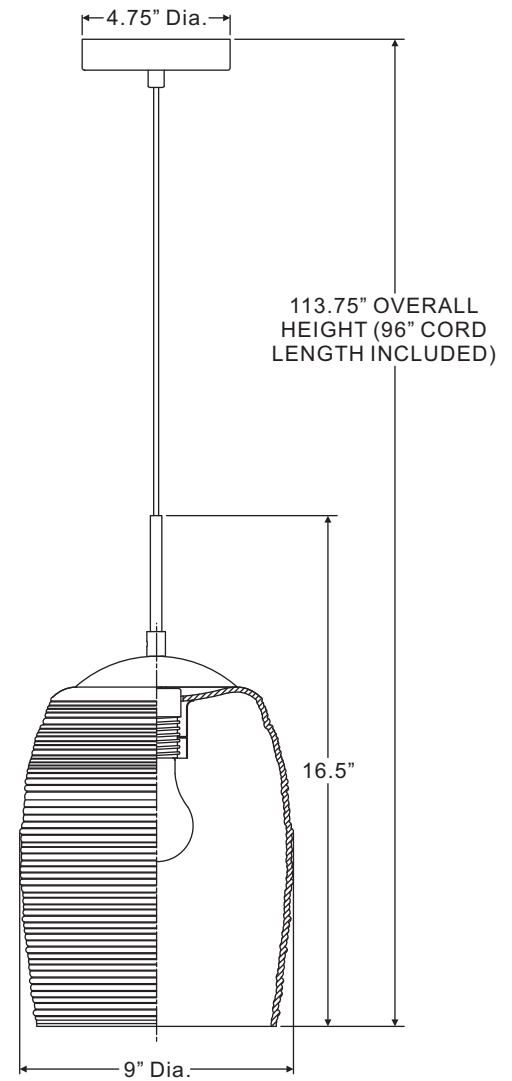
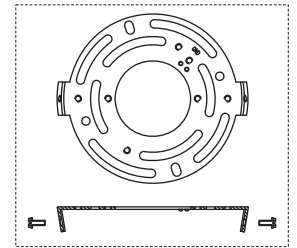


Figure 6

QPP2784C

FINISH: POLISHED CHROME



NOTE: ALL DIMENSIONS ARE ROUNDED UP TO THE NEAREST 1/4"

Thank you for purchasing a Quoizel product.
 Need assistance with parts or assembly? Call Quoizel customer service at 1-800-645-3184
 or visit us on-line at www.quoise.com