



CAL LIGHTING

3625 E. Philadelphia St. Ontario CA. 91761 • Tel: 909.947.5200 • Fax:
909.947.5673 • www.calighting.com • service@calighting.com •
Specifications subject to change without notice

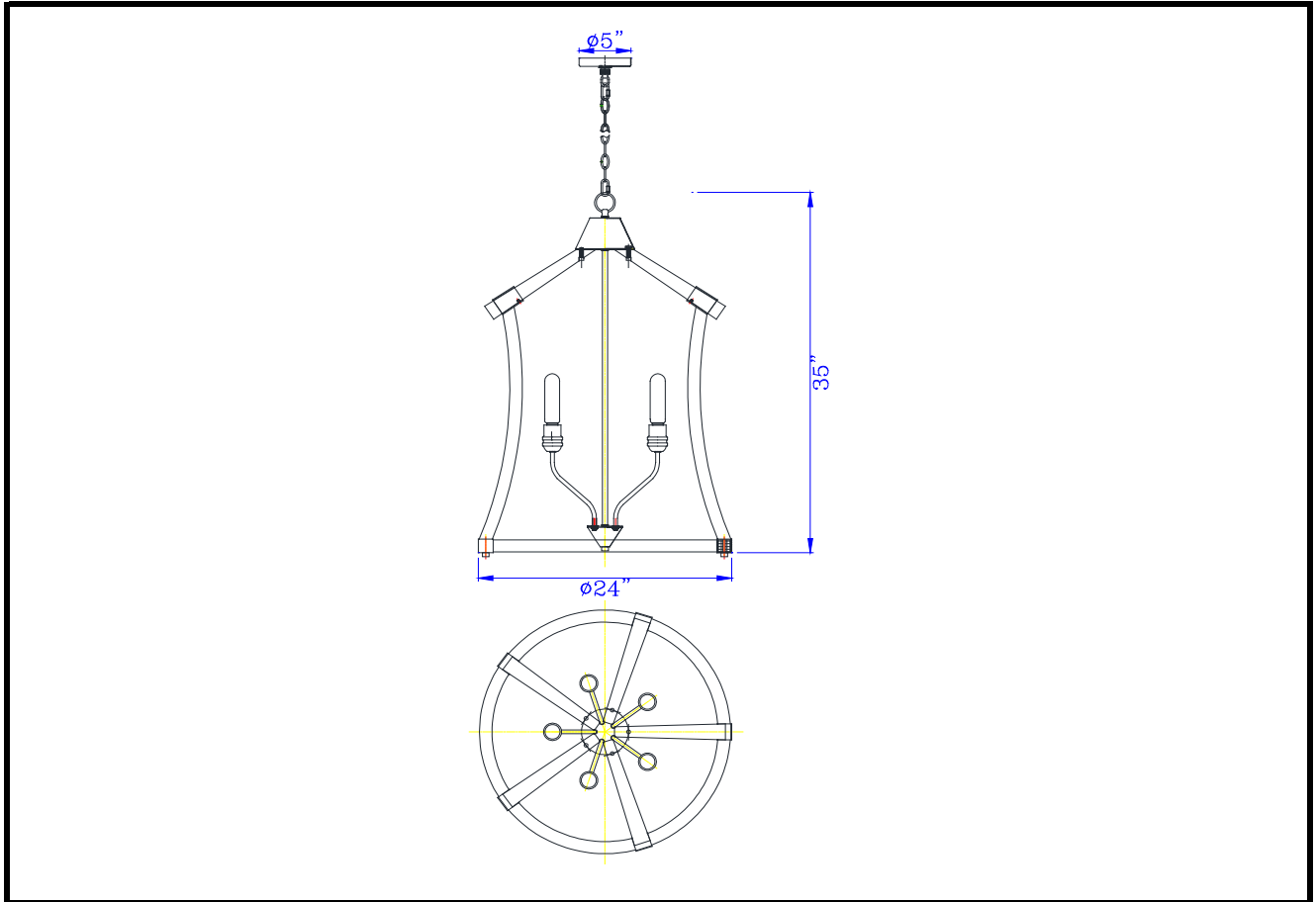
Type: _____

Project: _____

Catalog No.: _____

Lamp/Wattage: _____

Drawing:



- Model No:** FX-3707-5
- Description:** Dali 60W x 5 metal/wood chandelier (Edison bulbs not included)
- Material:** Wood/Metal
- Finish :** Iron/Light Oak
- Height:** 35"
- Width:** Dia.24"
- Reach:** Dia.24"
- Wattage :** 60Wx5
- Socket :** Medium Base (E26)
- Bulb:** Incandescent
- Chain Length:** 6'
- Wire Length:** 10"
- Wire Color:** Black
- Shade No:**
- Material:**
- Shade size:**
- Certificate :** 