

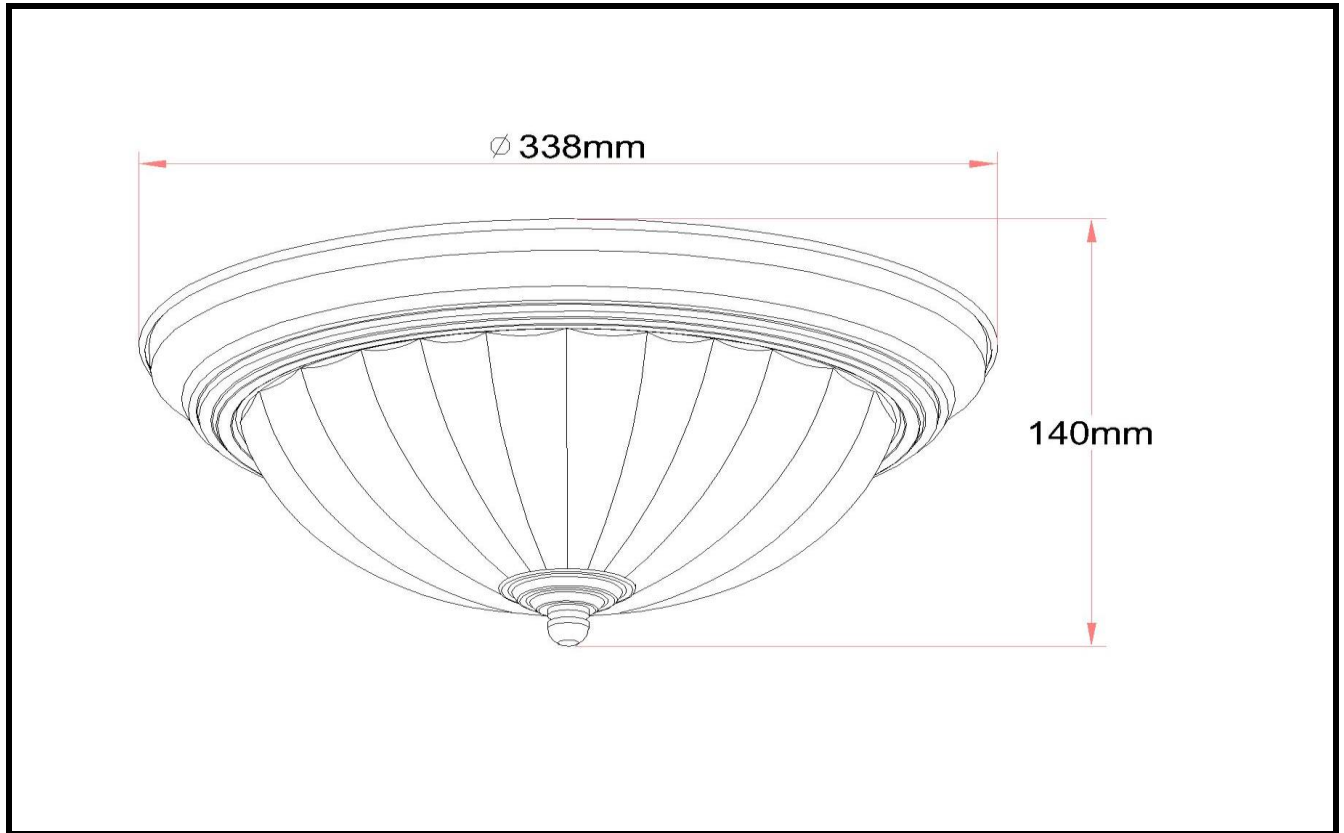


CAL LIGHTING

3625 E. Philadelphia St. Ontario CA. 91761 • Tel: 909.947.5200 • Fax:
909.947.5673 • www.calighting.com • service@calighting.com •
Specifications subject to change without notice

Type: _____
Project: _____
Catalog No.: _____
Lamp/Wattage: _____

Drawing:



Model No: LA-180L
Description: 13W x 2 PLC Ceiling lamp
Material: Metal/Glass
Finish : White
Height: 5 1/2"
Base Width: 13 3/8"
Wattage : PLC13Wx2
Shade size: 9 5/8"X 3 1/8"
Certificate : ETL