



# CAL LIGHTING

3625 E. Philadelphia St. Ontario CA. 91761 • Tel: 909.947.5200 • Fax:  
909.947.5673 • www.calighting.com • service@calighting.com •  
Specifications subject to change without notice

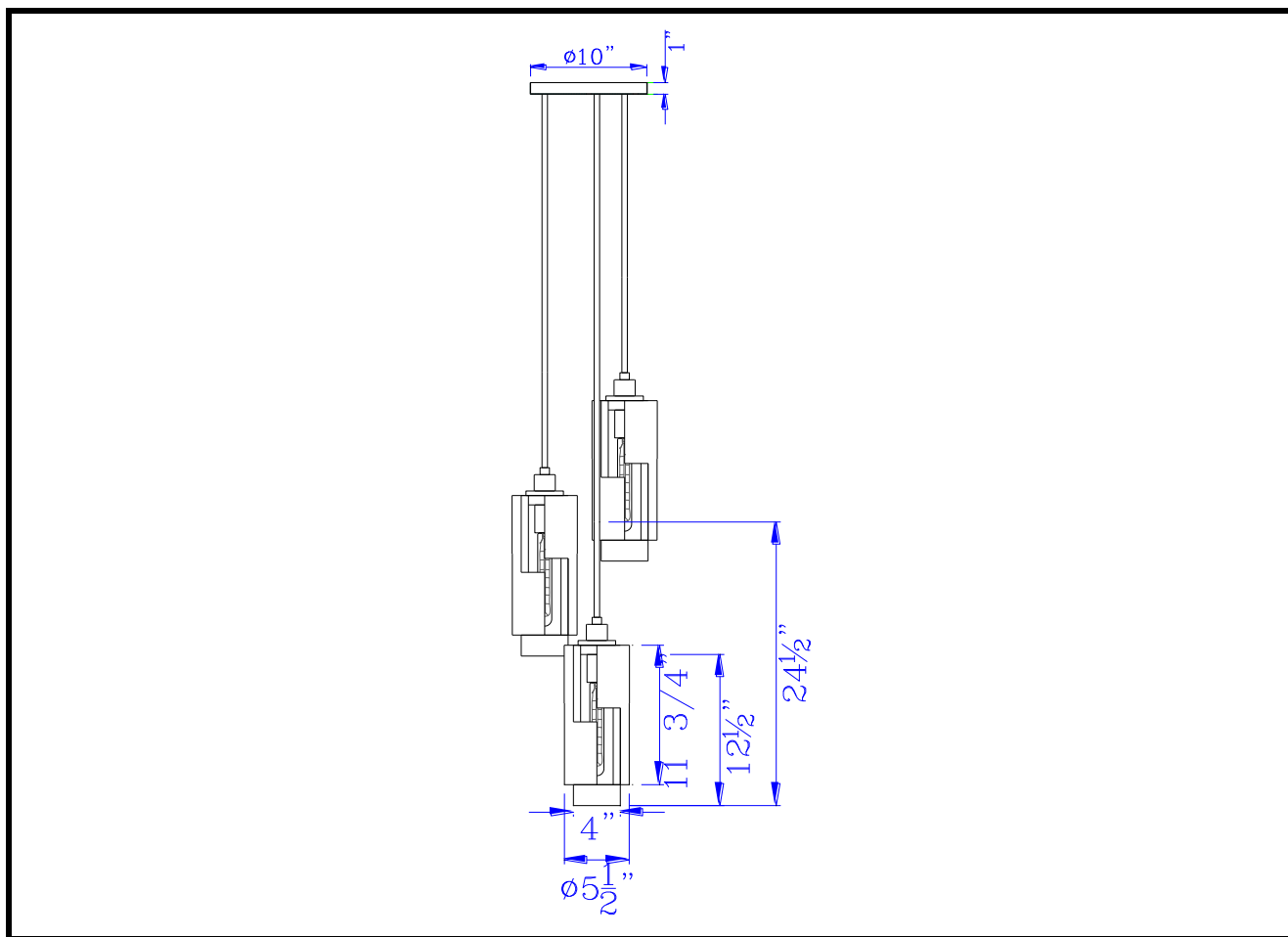
Type: \_\_\_\_\_

Project: \_\_\_\_\_

Catalog No.: \_\_\_\_\_

Lamp/Wattage: \_\_\_\_\_

Drawing:



**Model No:** FX-3641-3  
**Description:** 60W x 3 Pescara bubble glass pendant fixture  
**Material:** Metal / Wood  
**Finish :** Smoky wood  
**Height:** 24 1/2"  
**Width:** 12 1/4"  
**Reach:** 12 1/4"  
**Wattage :** 60Wx3  
**Socket :** Medium Base (E26)  
**Bulb:** Incandescent  
**Wire Length:** 6'  
**Wire Color:** Black  
**Shade No:** None  
**Material:** Glass/Wood  
**Shade size:** Dia.4"xH12 1/2" Dia. 5 1/2"xH 11 3/4"

**Certificate :**

