

## Safety Precautions

- Read all safety precautions and installation instructions carefully before installing or servicing this fixture. Failure to comply with these instructions could result in potentially fatal electric shock and/or property damage.
- It is recommended that a qualified electrician perform all wiring. This fixture must be wired in accordance with all national and local electrical codes.
- Do not handle any energized fixture or attempt to energize any fixture with wet hands or while standing on a wet or damp surface or in water.
- This fixture is designed for use in a 120VAC / 60Hz circuit.
- Make sure that the power source conforms to the requirements of the fixture. (See labels on the fixture housing).
- To reduce the risk of electrical shock, and to assure proper operation, this fixture must be adequately grounded. To accomplish proper grounding, there must be a separate ground wire (green) contact between this fixture and the ground connection of your main power supply panel.
- This fixture is intended to be used for general indoor lighting in dry or damp locations.

## Assembly Instructions

### Step 1 – Preparing for installation

- A. **Disconnect electrical power** at fuse or circuit breaker box before installing or servicing any part of this fixture.
- B. Carefully remove the fixture from the carton, remove components from hardware kit.
- C. Hold fixture channel (1) up to ceiling with power supply knockout located over entryway for power supply wires. Mark the locations of the mounting holes on the ceiling. Take the channel down and punch a small hole into the ceiling at each location using a nail or an awl to see if there is a wood joist. If there is a joist, use two suitable wood screws (2 – not included) to mount the channel. Where there is no joist to screw into, use a wall anchor (3 – not included) to mount channel securely to the ceiling.

### Wiring – All wiring must take place inside junction box (not included)

**Caution:** Make sure power is off at fuse or circuit breaker box. Check power wires for damage or scrapes. Use wire suitable for at least 90°C (194°F). **Note:** Most dwellings built before 1985 have supply wire rated to 60°C. Consult a qualified electrician to ensure correct branch circuit conductor before installing.

### Step 2 – Wiring fixture

- A. Make all wire connections to appropriate wire. Secure with wire nuts (provided).
- B. Connect the green wire from the fixture to the supply source ground wire.
- C. Connect the black wire from the fixture to the black (L) wire from supply power source.
- D. Connect the white wire from the fixture to the white (N) wire from supply power source.
- E. **Do not mix wires.** Pull on each wire lead to make sure connections are secure. Make certain no bare wires are exposed outside of wire connectors. Tuck all connections neatly into the junction box.

### Step 3 – Adjusting fixture height

- A. Adjust cord length by loosening the strain relief screw (5) on the bottom of the canopy (4). Pull the cord through the top of the canopy and re-tighten the screw once the fixture is at the desired height. Repeat for all strain reliefs.

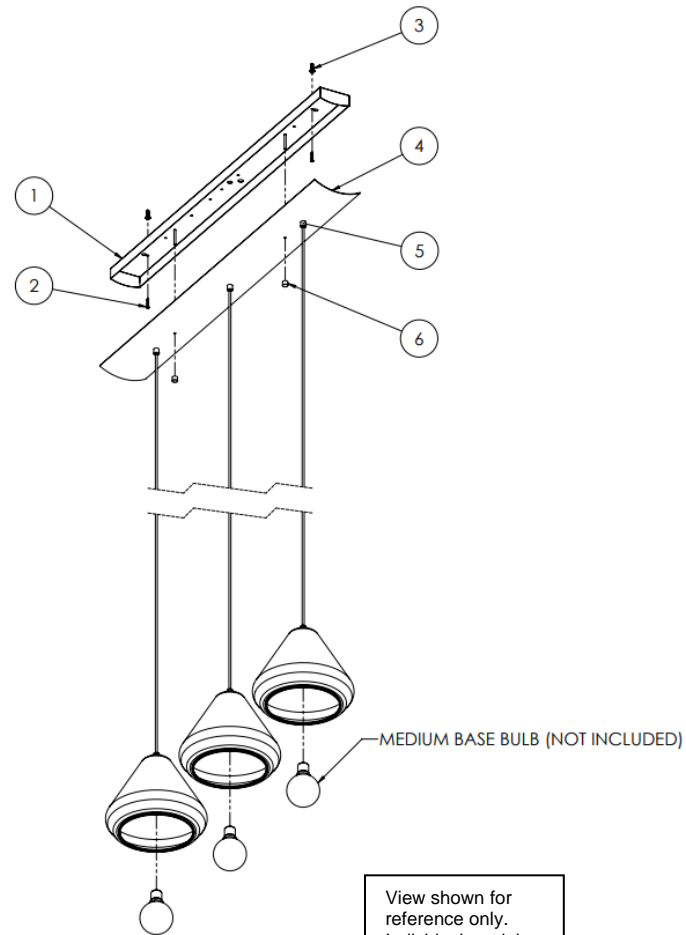
### Step 4 – Mounting

- A. Install the fixture (4) by placing it over the channel (1) and using two thumbnuts (6) to secure.

### Step 5 – Lamping

- A. Install medium base bulb (E26 type, 60W max. – not included) into each socket and turn clockwise until secured.

### Step 6 – Restore power at fuse or circuit breaker box



View shown for reference only. Individual models may vary.

## Limited Factory Warranty

AFX Inc. hereby warrants that this fixture is free from defects in materials and workmanship when installed and used under normal operating conditions for a period of 5 years from date of purchase. This warranty covers all component parts and extends only to replacement of defective fixture or components; it does not cover failure due to improper installation, misuse, mishandling or damage incurred in transit.