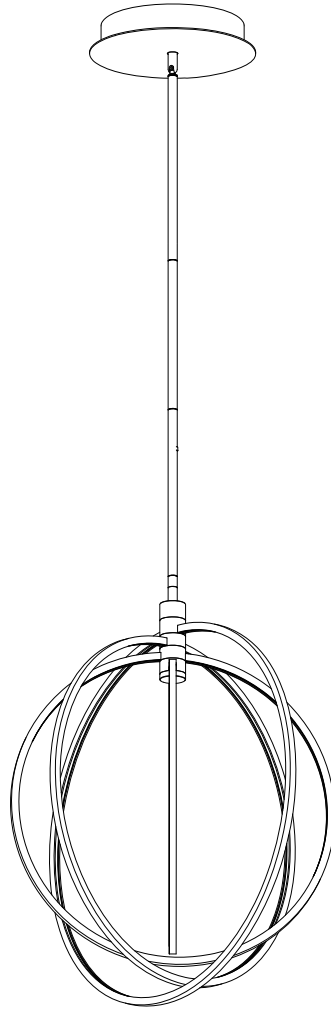




PRODUCT NAME : Concentric LED Pendant
ITEM NUMBER: E24049-BZ

Please consult your electrician for hanging fixture and wiring.



WARNING: WIRES NEED TO BE CONNECTED TO DRIVER FOUND IN CANOPY AND SHOULD NOT CONECT DIRECTLY TO POWER SOURCE OR A SHORT MIGHT OCCUR.

The fixture is designed to dim with a standard Triac forward phase dimmer. Dimming levels will vary by dimmer.

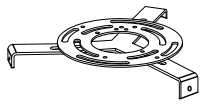
Below is a list of recommended dimmers:

Lutron MACL-153M
Lutron DVL-153P
Lutron SCL-153P
Leviton IPL06-10Z
Leviton 6674-POW

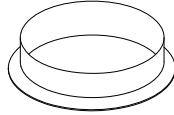
Due to the inrush current wattage should not exceed 150 watts of product for a 600 watt dimmer.

100W LED

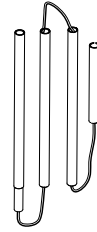
IMPORTANT: Turn off the power at the main fuse or circuit breaker box before starting installation



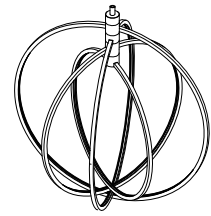
(A)
Bracket



(B)
Canopy

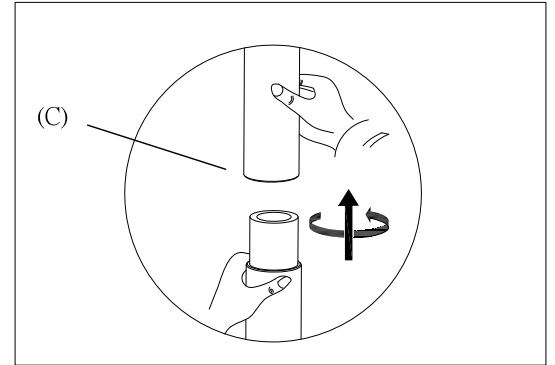
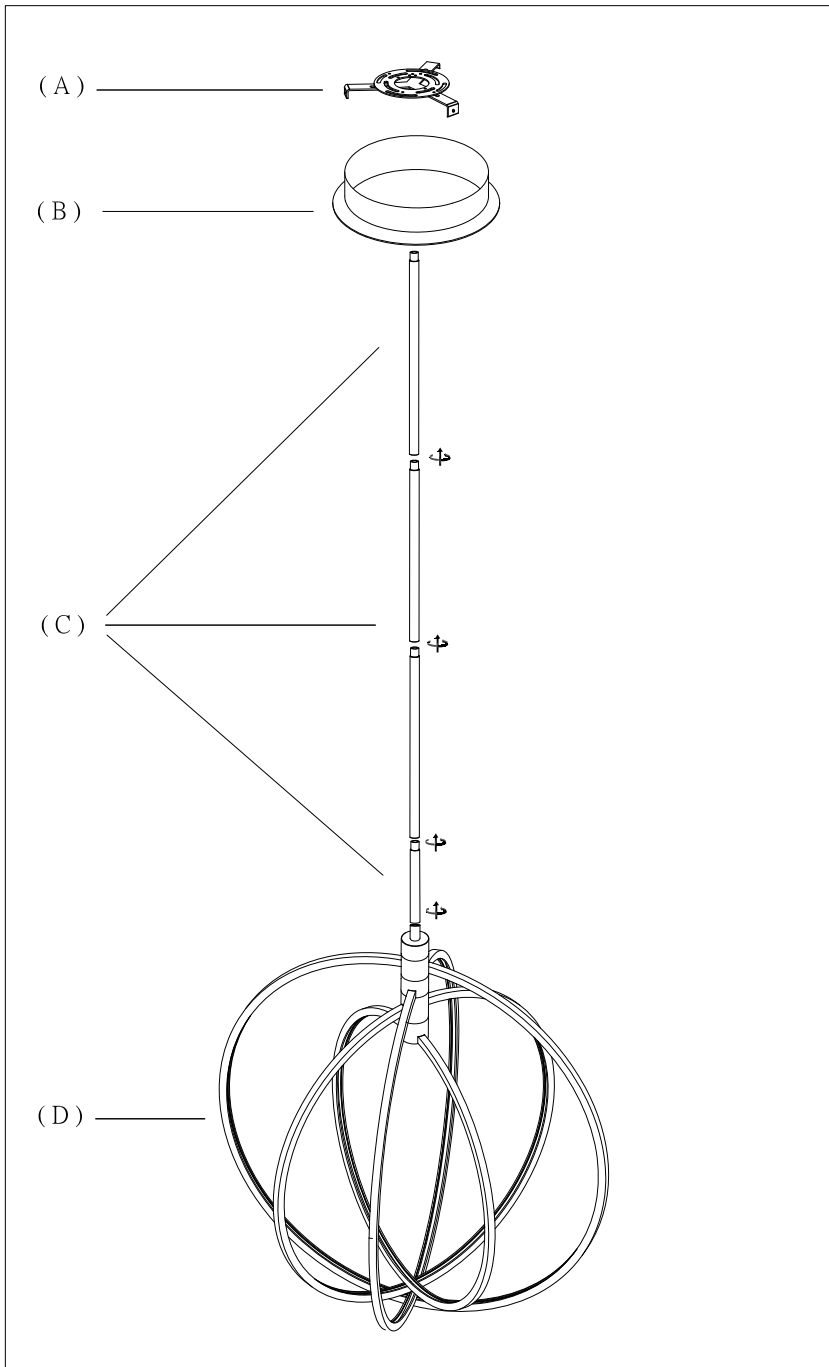


(C)
Stem



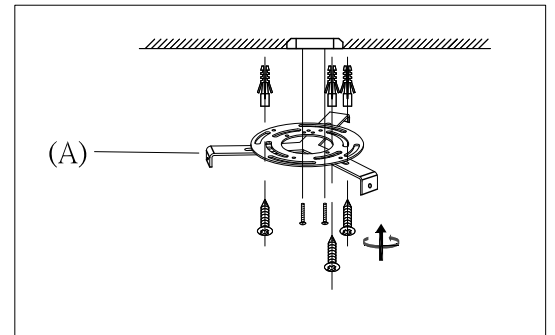
(D)
Body

Locate all hardware & components before discarding packaging



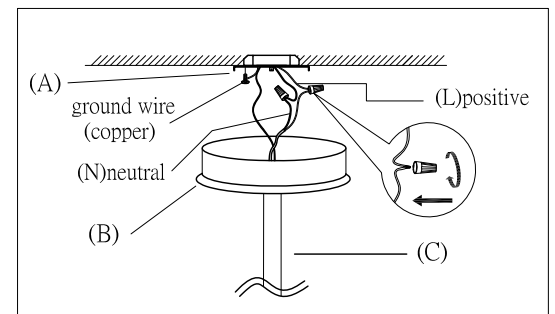
1.)

Step.1: Run wire through the stems (C) and combine stem lengths to desired mounting height.



2.)

Step.2: Remove the mounting bracket (A) from canopy and install to electrical box.



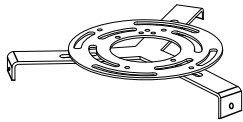
3.)

Step.3: Wire fixture to wires in outlet box.
Install green wire to ground screw.

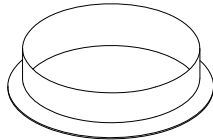
Cleaning & Care:

Clean with soft cloth and a mild detergent.
Do not use abrasive cleaner.

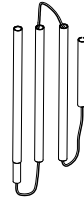
IMPORTANT: Turn off the power at the main fuse or circuit breaker box before starting installation



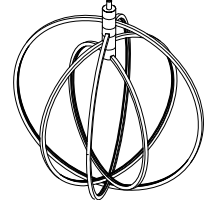
(A)
Bracket



(B)
Canopy

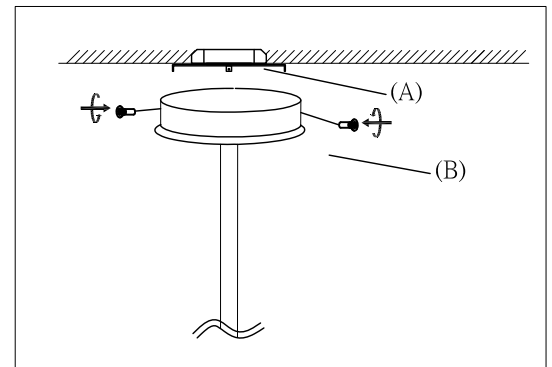
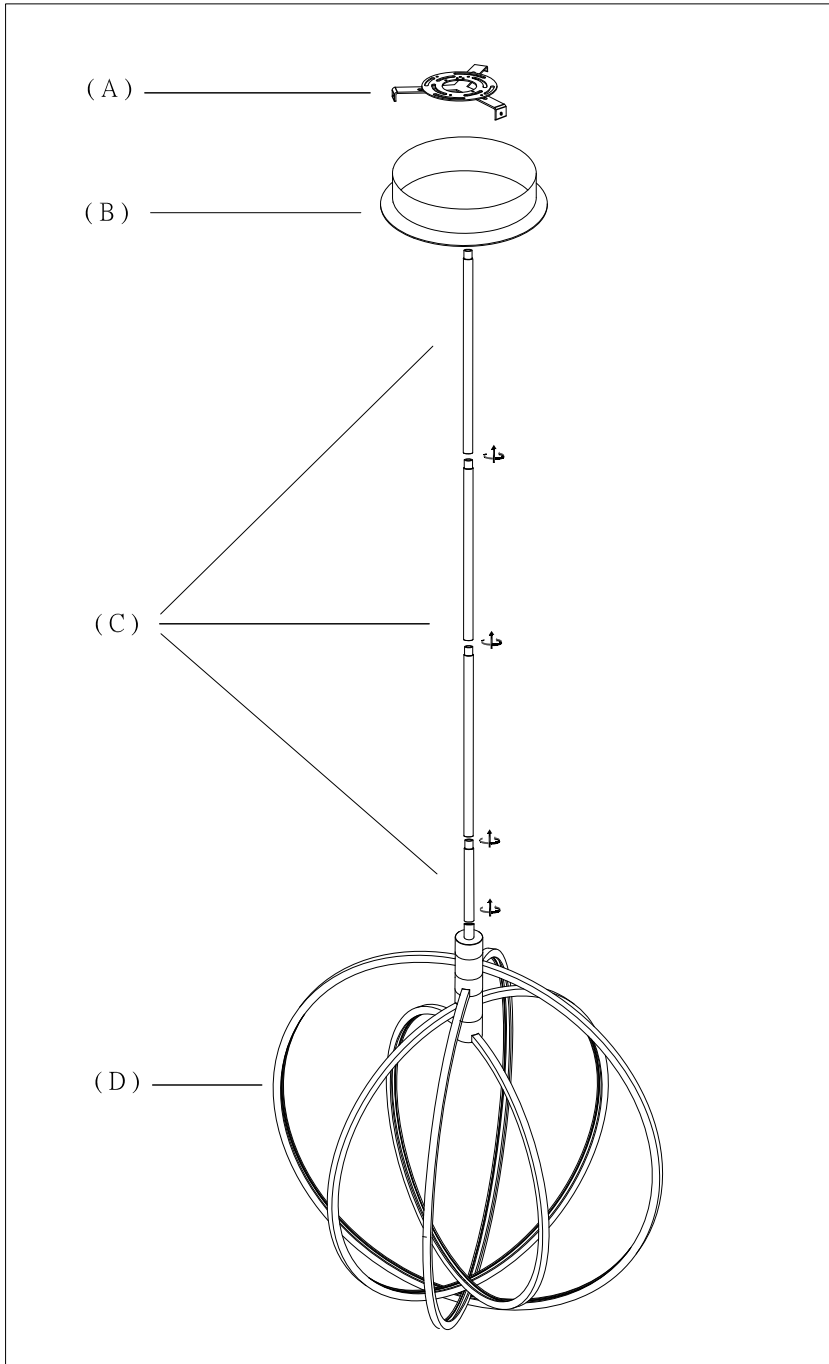


(B)
Stem

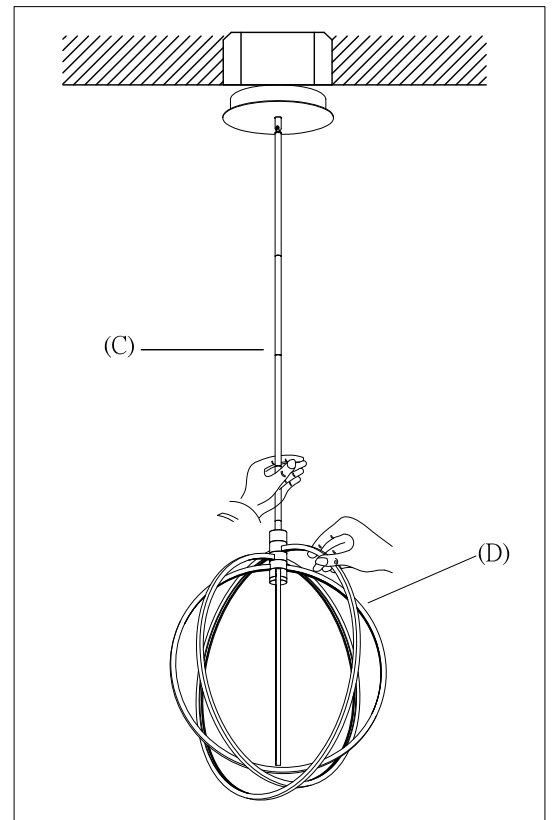


(D)
Body

Locate all hardware & components before discarding packaging



Step 4: Install canopy (B) to bracket (A) and tighten screws at the ends of canopy to secure.



Step 5: Hold the stem and adjust the Body (D) to the preferred angle.

WARNING: The rings are meant to be adjusted counterclockwise. There are built in stops in the structure as the rings do not turn 180 degrees. Be careful to not overturn the rings or a short may occur

Cleaning & Care:

Clean with soft cloth and a mild detergent. Do not use abrasive cleaner.