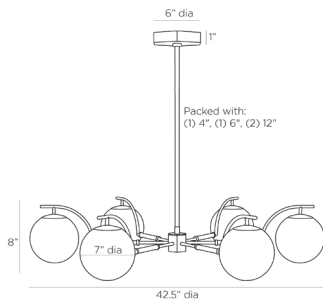


# ARTERIOS

## TRICIA CHANDELIER



DLC04  
H: 12 IN, Dia: 42.50 IN  
Antique Brass  
Contract Suitable As Is

The Tricia chandelier is a fresh update to the classic schoolhouse silhouette. The six-shaded light is cleverly crafted with a steel antique brass frame with arched arms that follow the curve of each glossy opal glass shade. The arms are tightly wrapped in natural rattan in a look that nods to midcentury design. Finish will vary. Damp-rated, although limited covered outdoor conditions may affect finish.

### APPEARANCE

Material	Glass, Rattan, Steel
Finish	Natural, Opal
Finish Will Vary	true
Top Coat/Sealant	true

### DIMENSIONS

Chandelier	H: 8 IN, Dia: 42.50 IN
Minimum Hanging Height	12 IN
Maximum Hanging Height	40 IN
Canopy	H: 1 IN, Dia: 6.00 IN

### WIRING

Rating	Damp
Suggested Bulb Type	B10
Cord	7 FT, Clear/Silver, SVT
Socket	6, Type B - E12
Photographed Bulb	Clear Straight Tip Candelabra Bulb
Maximum Watt	60
Voltage	110-120 V

### CERTIFICATIONS

Certifications	Mexico Australia, European Union, United Arab Emirates, United States, Canada
----------------	--

### COMPLIANCY

UL/ETL	Yes
CB	Yes
RoHS	true

### SHIPPING

Product Weight	15 LBS
Gross Weight 1	24 LBS
Gross Weight 2	0 LBS
Shipping Box 1	H: 42.32 IN, L: 37.99 IN, W: 10.62 IN
Shipping Box 2	H: 0 IN, L: 0 IN, W: 0 IN

### REPLACEMENT PARTS

Replacement Part 1	PIPE-504
Replacement Part 1 Dim	(1) 4", (1) 6", (2) 12"
Replacement Part 2	CANOPY-641
Replacement Part 2 Dim	1" x 5.5"

### CONTRACT

Contract Suitable	true
-------------------	------