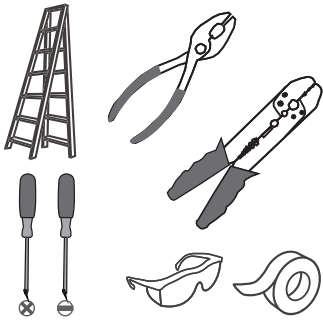
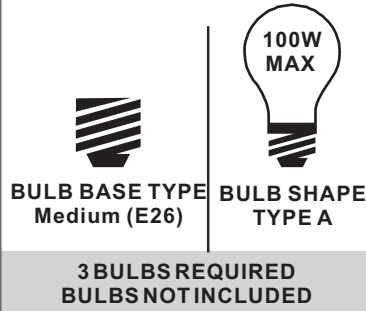


**Tools Required**



**Light Source**



**Warnings and Cautions**

Turn off the electricity at the circuit breaker before installation. Consult a licensed electrician if in doubt about installation.

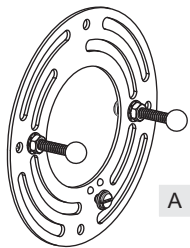
Turn off power to the fixture and allow the bulbs to cool before replacing.

**Package Contents**

**Preparation:** Identify and inspect all parts before beginning the installation.

Missing or damaged parts? Contact your original place of purchase.

**PARTS BAG**



**A** Crossbar Assembly x 1



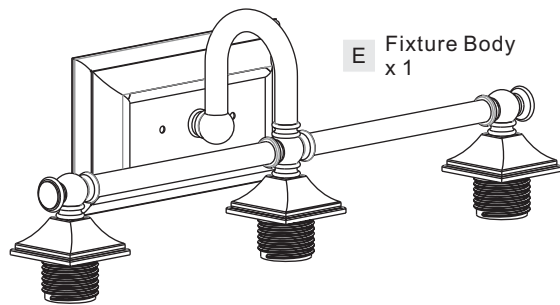
**B** Alternate Mounting Screw x 2



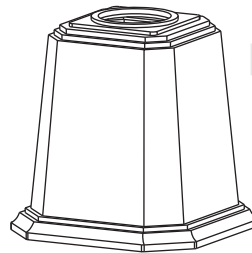
**C** Outlet Box Screw x 2



**D** Wire Connector x 3



**E** Fixture Body x 1




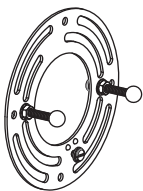
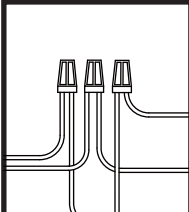
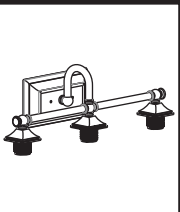
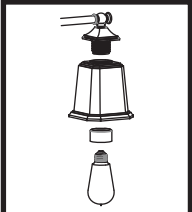
**F** Shade x 3



**G** Socket Collar x 3

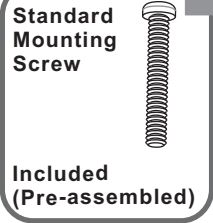
**Note: Socket collar shape is for illustration purpose only. Your socket collar shape may vary from illustration.**

**Table of Contents**

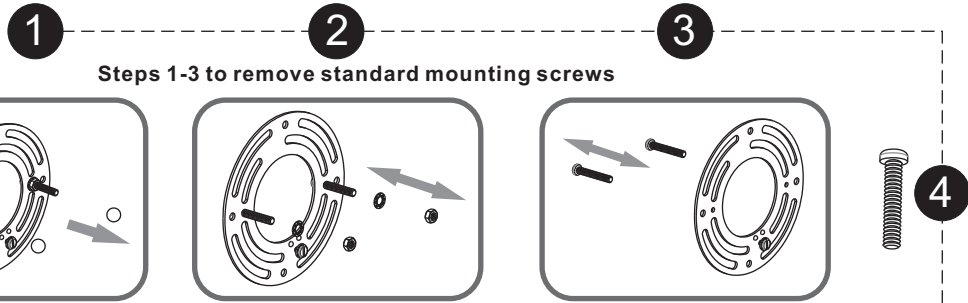
Alternate Mounting Screw	Crossbar Assembly	Wiring	Fixture Body	Shade & Bulb
				
<b>STEP 1</b>	<b>STEP 2</b>	<b>STEP 3</b>	<b>STEP 4</b>	<b>STEP 5</b>

# STEP 1

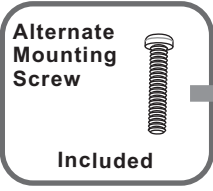
OPTION 1



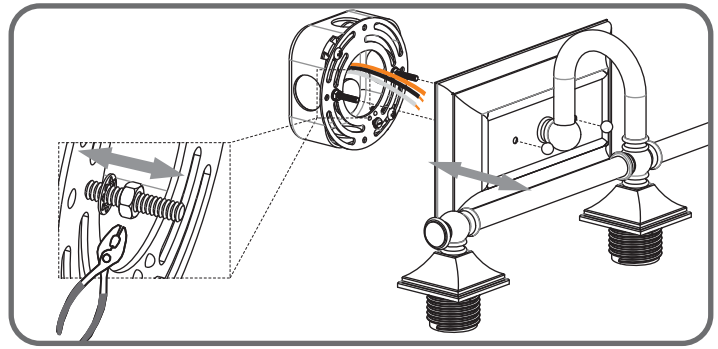
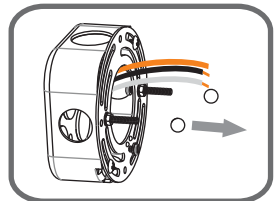
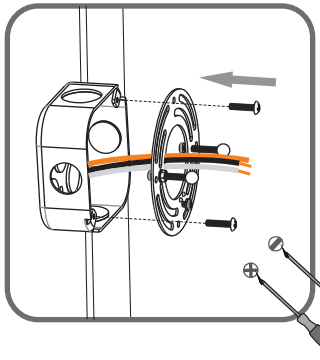
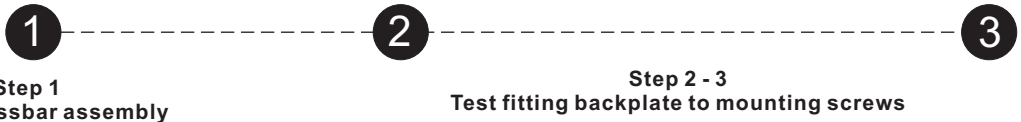
skip to next page



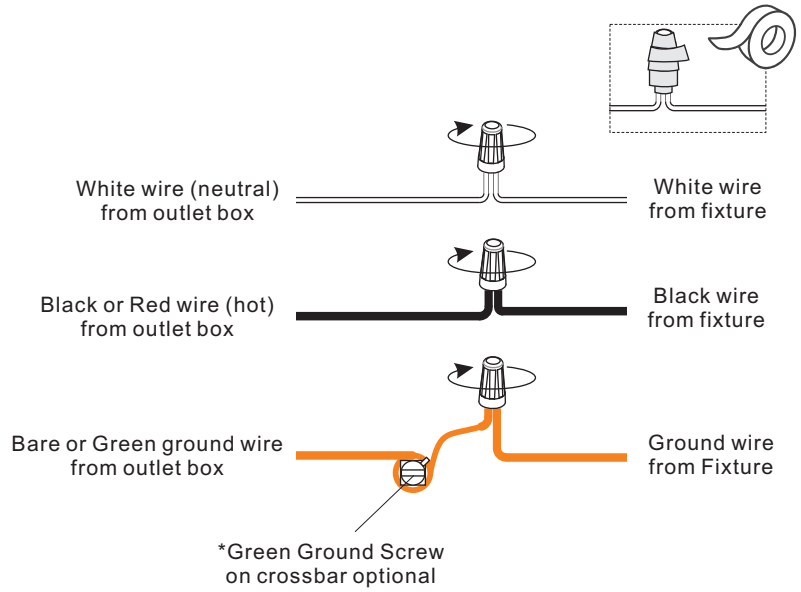
OPTION 2



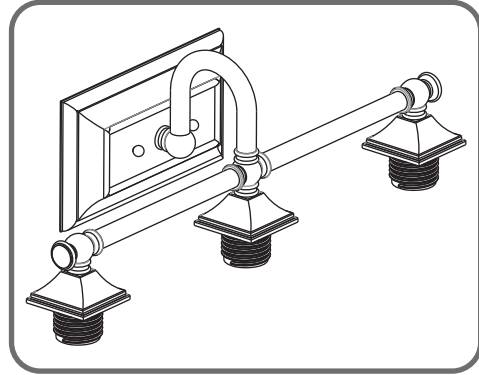
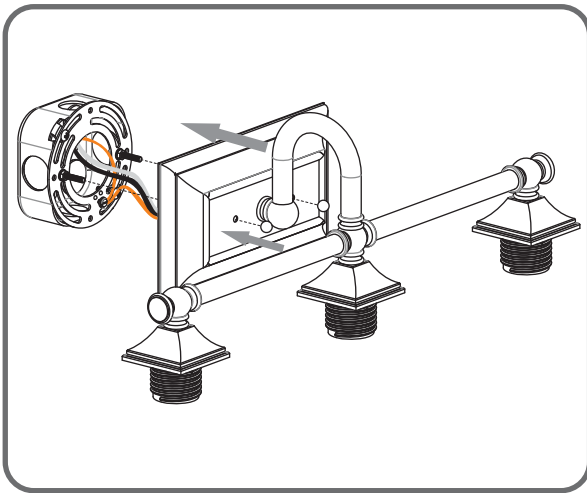
# STEP 2



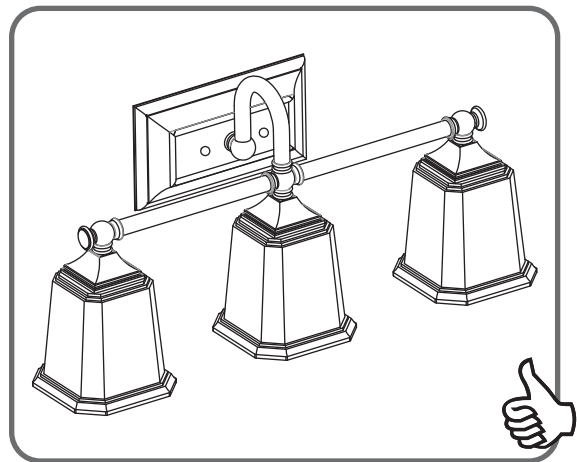
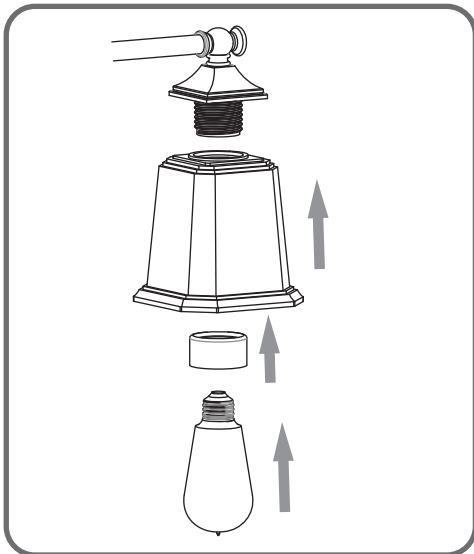
# STEP 3



## STEP 4



## STEP 5



**Note:** Socket collar shape is for illustration purpose only. Your socket collar shape may vary from illustration.