

# LINEAR SUSPENSION

## Zhane Linear Suspension

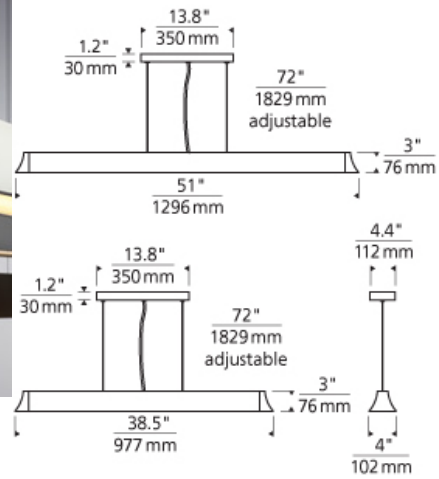


### DESCRIPTION

Hard and soft lines converge in this elegantly simple silhouette equally suitable for both residential and commercial settings. A bottom acrylic diffuser provides a glare free wash of light. A highly reflective inner white housing and two high output fluorescent lamps ensure this fixture performs as well as it looks. Offered in 38" which includes two 39 watt high output T5 linear fluorescent lamps or 2600 lumen, 3000K linear LED strips and 49" which includes two 54 watt high output T5 linear fluorescent lamps or 3500 lumen, 3000K linear LED strips. Has a maximum drop length of 6 feet. LED Version dimmable with a low-voltage electronic dimmer.

### INSTALLATION

This product can mount to either a 4" square electrical box with round plaster ring or an octagonal electrical box (not included).



### ORDERING INFORMATION

700LSZHN	LENGTH (A)	FINISH	LAMP
38	38"	Z ANTIQUE BRONZE	-CF FLUORESCENT 120V
49	49"	B BLACK	-CF277 FLUORESCENT 277V
		G SATIN GOLD	-LED LED 3000V 120V
		S SATIN NICKEL	-LED277 LED 3000V 277V



**TECH LIGHTING®**

7400 Linder Avenue  
Skokie, Illinois 60077

T 847.410.4400  
F 847.410.4500

Tech Lighting, L.L.C.

700LSZHN \_\_\_\_\_

FIXTURE TYPE: \_\_\_\_\_

JOB NAME: \_\_\_\_\_

NOTES: \_\_\_\_\_

\_\_\_\_\_

\_\_\_\_\_



©2014 Tech Lighting, L.L.C. All Rights Reserved. The "Tech Lighting" graphic is a registered trademark of Tech Lighting, L.L.C. Tech Lighting reserves the right to change specifications for product improvements without notification.