



CAL LIGHTING

3625 E. Philadelphia St. Ontario CA. 91761 • Tel: 909.947.5200 • Fax:
909.947.5673 • www.calighting.com • service@calighting.com •
Specifications subject to change without notice

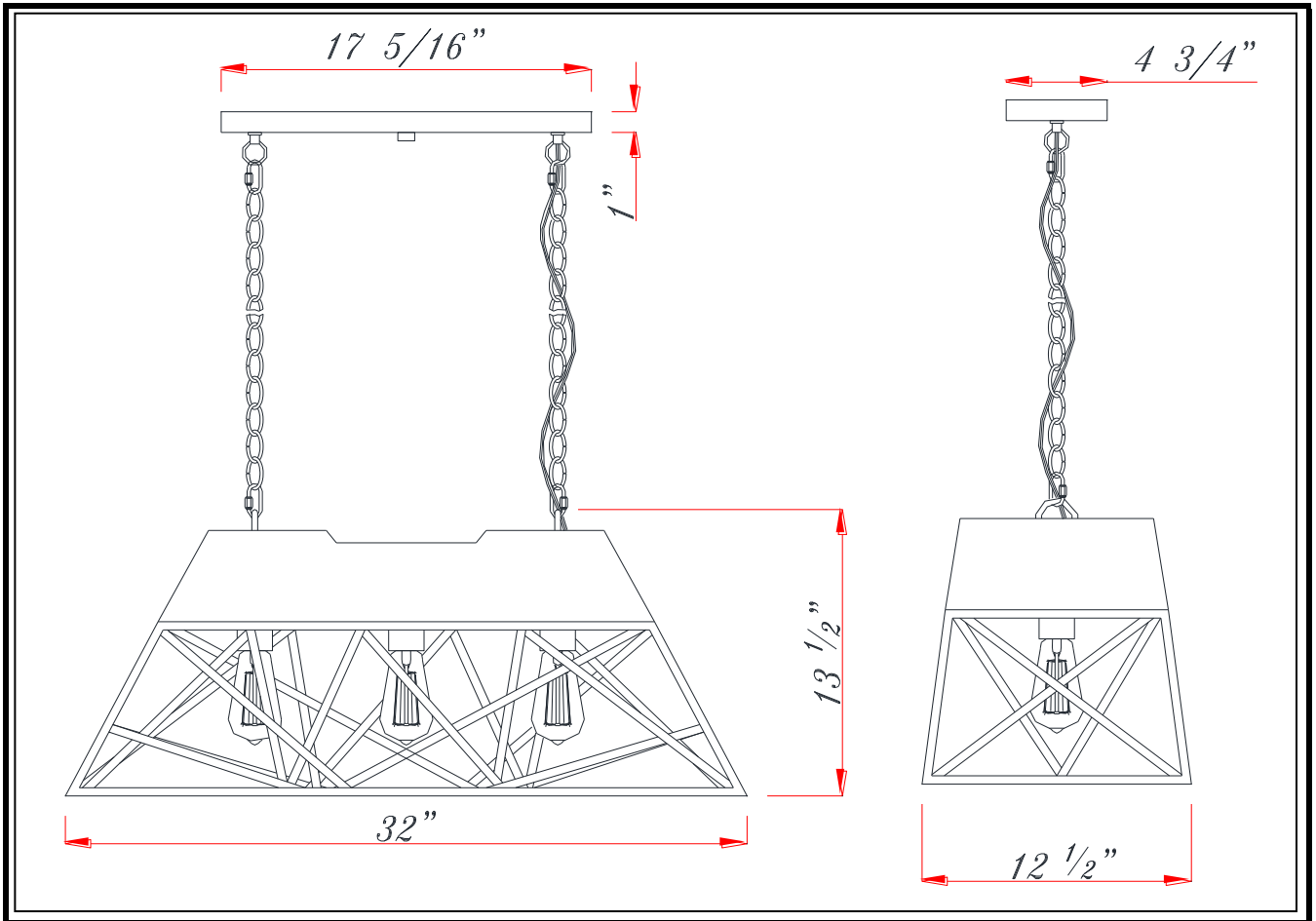
Type: _____

Project: _____

Catalog No.: _____

Lamp/Wattage: _____

Drawing:



- Model No:** FX-3585-3
- Description:** 60W x 3 Antonio wood/metal chandelier
- Material:** Metal+Glass+WOOD
- Finish :** Wood/Dark Bronze
- Height:** $13 \frac{1}{2}$ "
- Width:** $32"+12 \frac{1}{2}$ "
- Wattage :** 60Wx3
- Socket :** Medium Base (E27)
- Bulb:** Incandescent
- Chain Length:** 6'
- Wire Length:** 10"
- Wire Color:** Black
- Shade No:**
- Material:**
- Shade size:**
- Certificate :**

