

NPR-4RNDC

4" Pearl LED Round Retrofit Reflector with Round Aperture

Source: 12W LED
1200lm

Type

Project

Catalog No.

Notes

PRODUCT DESCRIPTION

Pearl LED Retrofit series is cULus classified for use in existing IC or Non-IC housings manufactured by Nora and others. The 4" retrofit luminaires deliver over 1100 lumens with deep regressed cone reflector for optimal visual cut-off.

FEATURES

- 1000lm LED output
- Comfort Dim (warm dimming) available in 800lm only
- 2700K, 3000K, 3500K, 4000K @ 90+ CRI
- Field changeable optics included (Spot, Narrow Flood and Flood - installed)
- Integral dimmable driver
- Includes medium base socket adapter for easy retrofitting in 4" recessed housings
- 5-year limited warranty
- ENERGY STAR certified
- cULus classified for wet locations

SPECIFICATION

Construction: Trims are constructed of heat dissipating, die-cast aluminum. The aluminum die-cast LED heat sink is threaded to fit the reflector and transfer heat.

Mounting: Luminaires includes friction blades to mount securely to housing.

OPTICS

Each luminaire includes field changeable optics (29° spot, 44° narrow flood and 61° flood - preinstalled). Premium 15° and 25° TIR optics are also available.

ELECTRICAL

Input Voltage: 120V

Lumens / Wattage: 1200lm / 12W (800lm w/ Comfort Dim)

Color Temperature: 2700K, 3000K, 3500K, 4000K

Color Rendering Index: 90+CRI

Beam Spread: 29° Spot, 44° Narrow Flood, 61° Flood

Operating Temperature: 0°C to 25°C

Lifetime: 50,000 hours @ L70

Comfort Dim: Comfort Dim color tunes the temperature from a bright 3100K, to a romantic and comfortable 2000K on a gradual, even curve. Available in 800lm only.

Dimming: Triac or ELV

[Click Here](#) or check complete dimmer list at www.NoraLighting.com in the "Compatibility" page under "Resources" tab

COMPATIBLE HOUSINGS

Pearl retrofit reflectors are compatible with most 4" IC and Non-IC housings by Nora and others.

Fire Box

[NFBIC-4LMRATA*](#) ICAT Dedicated LED

[NFBIC-4INCATA](#) ICAT Line Voltage

New Construction

[NSIC-4LMRAT*](#) Max. Adjustability ICAT Dedicated LED

[NHIC-4LMRAT*](#) ICAT Dedicated LED

[NHIC-4LMRAT/277*](#) ICAT Dedicated LED, 277V (includes step-down transformer)

[NSIC-401QAT](#) ICAT Line Voltage

[NS-401QAT](#) AT Line Voltage

[NHIC-4G24AT](#) ICAT GU24

[NS-4G24AT](#) AT Line Voltage

[NS-4G24AT](#) AT Line Voltage

[NHRIC-4LMRAT*](#) ICAT Dedicated LED

[NSRIC-404QAT](#) ICAT Line Voltage

[NSR-404QAT](#) AT Line Voltage

[NHRIC-4G24AT](#) ICAT GU24

* Nora Dedicated LED housings are cULus listed for use only with Nora LED Retrofits.

Retrofit: Pearl retrofit series includes medium base screw-socket adapter (NRA-211SM) for retrofitting into existing medium base downlight housings. GU24 socket adapter is available for use with GU24 housings, must specify NRA-212SM.

Accessories: Luminaire will accommodate (1) hex louver and (1) translucent deco collar or opaque snoot, no accessory holder is required, see page 2.

LABELS AND LISTINGS

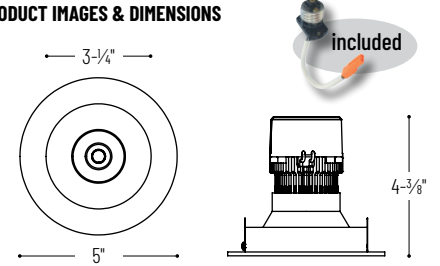
- cULus classified for Wet Locations
- ENERGY STAR certified
- RoHS compliant
- [5-Year Limited Warranty](#)
- Certified to the high efficacy requirements of California Title 24 JA8-2019



Performance Data			
Part Number	Lumens	CCT	Optic
NPR-4RNDC40XMPW	1218lm	4000K	Spot
NPR-4RNDC40XMPW	1225lm	4000K	Narrow
NPR-4RNDC40XMPW	1200lm	4000K	Flood

Delivered lumens will vary depending on CCT, optic and finish

PRODUCT IMAGES & DIMENSIONS



NPR-4RNDC

Round Reflector with Round Aperture
Non-Adjustable



BB
Black Reflector
Black Flange



BW
Black Reflector
White Flange



BZ
Bronze Reflector
Bronze Flange



CHMPW
Champagne Haze Reflector
Matte Powder White Flange



CMPW
Specular Clear Reflector
Matte Powder White Flange



HW
Haze Reflector
White Flange



HZMPW
Haze Reflector
Matte Powder White Flange



MPW
Matte Powder White Reflector
Matte Powder White Flange



NN
Natural Metal Reflector
Natural Metal Flange



WW
White Reflector
White Flange

4" Pearl LED Round Retrofit Reflector with Round Aperture

Trim Type	Color Temperature / Lumens	Finish
NPR-4RNDC = Round Reflector with Round Aperture	27X = 2700K / 1000lm 30X = 3000K / 1000lm 35X = 3500K / 1000lm 40X = 4000K / 1000lm CDX = Comfort Dim / 800lm	BB = Black / Black BW = Black / White BZ = Bronze / Bronze CHMPW = Champagne / Matte Powder White CMPW = Specular Clear / Matte Powder White HW = Haze / White HZMPW = Haze / Matte Powder White MPW = Matte Powder White NN = Natural Metal / Natural Metal WW = White / White

Example: **NPR-4RNDC27XWW** = 4" Pearl LED Round Retrofit Reflector with Round Aperture, 2700K / 1000lm, White finish

Pearl LED Retrofit Accessories

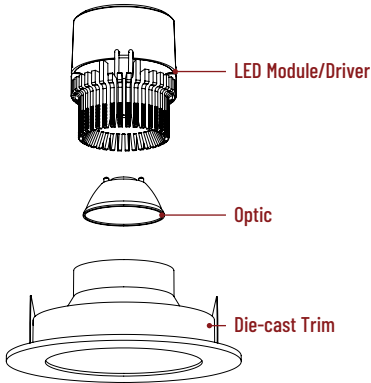
4" Pearl LED Round Retrofit Reflector with Round Aperture

Type
Project
Catalog No.
Notes

FIELD CHANGEABLE OPTICS

Pearl retrofits include spot, narrow flood and flood optics. Optics can be changed in the field by removing LED module from die-cast trim. Replacement optics include an optional frosted lens.

Note: Premium TIR optics are not compatible with Comfort Dim LED modules.



Frosted Filter-Optic

NIO-REFL15FR	15° Optic
NIO-REFL25FR	29° Optic
NIO-REFL38FR	44° Optic
NIO-REFL60FR	61° Optic

Optic assemblies includes optional frosted lens. 29°, 44° and 61° optics are included with each retrofit.



Premium TIR Optics

NIO-REFLTIR15	15° Optic
NIO-REFLTIR25	25° Optic

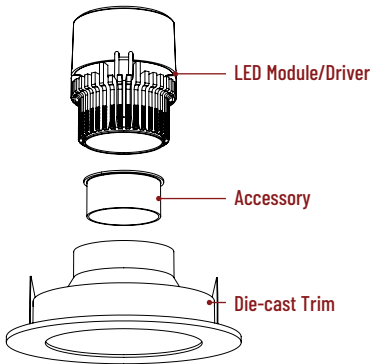
Premium TIR (total internal reflection) optics create optimal spot and narrow flood beam spread.

Not compatible with Comfort Dim (CDX) LED module

ACCESSORIES

Pearl accessories can be added at any point in the design process. Accessories easily install between LED module and die-cast trim.

Luminaire will accommodate (1) hex louver and (1) collar accessory, no accessory holder required.



Translucent Decorative Collar

NIO-AS14(color)	5/8" length
NIO-AS19(color)	3/4" length
NIO-AS26(color)	1" length
Color:	
AM (amber), BLU (blue), FR (frosted), R (red)	

Translucent collars color the aperture with the specified color while producing white general light. Collars are available in different lengths. Use to add interest, create a theme, match a theme or define a space.



Opaque Collar Snoot

NIO-AS14(color)	5/8" length
NIO-AS19(color)	3/4" length
NIO-AS26(color)	1" length
Color:	
BLK (black), MPW (matte powder white), WH (white)	

Opaque snoot greatly reduces aperture brightness while preserving light output. (Note: Black snoot will reduce light)



Hex Cell Louver

NIO-HC	Black
--------	-------

Hex cell louver subtly reduces aperture brightness by reducing light output by about 20%.

PHOTOMETRICS

4" Pearl LED Round Retrofit Reflector with Round Aperture

Type

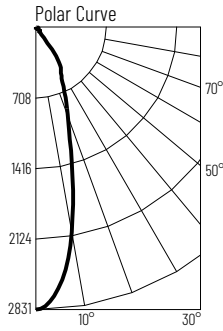
Project

Catalog No.

Notes

Test Information

Test Number: NTR1885R1
 Part Number: NPR-4RND40XWW
 Beam Spread: 29° Spot
 Lumens: 1218lm
 Wattage: 11.89W
 Efficacy: 102pw
 CCT / CRI: 4000K / 90 CRI
 Spacing Criteria (0°-180°): 0.48
 Spacing Criteria (90°-270°): 0.48



Illuminance at a Distance

Distance from Luminaire	FC at Nadir	Beam Diameter
4'	177fc	2'
6'	78.7fc	3'
8'	44.2fc	4'-1"
10'	28.3fc	5'-1"
12'	19.7fc	6'-1"

Zonal Lumen Summary

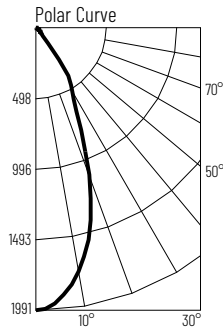
Zone	Lumens	% Luminaire
0-30	928	76.2
0-40	1122	92.1
0-60	1194	98.1
0-90	1218	100
90-180	0	0
0-180	1218	100

Candela Table

Vertical Angles	Candela
0	2831
5	2547
15	1324
25	716
35	346
45	58

Test Information

Test Number: NTR1886R1
 Part Number: NPR-4RND40XWW
 Beam Spread: 44° Narrow Flood
 Lumens: 1225lm
 Wattage: 11.91W
 Efficacy: 103pw
 CCT / CRI: 4000K / 90 CRI
 Spacing Criteria (0°-180°): 0.7
 Spacing Criteria (90°-270°): 0.7



Illuminance at a Distance

Distance from Luminaire	FC at Nadir	Beam Diameter
4'	124fc	3'-2"
6'	55.3fc	4'-10"
8'	31.1fc	6'-5"
10'	19.9fc	8'
12'	13.8fc	9'-7"

Zonal Lumen Summary

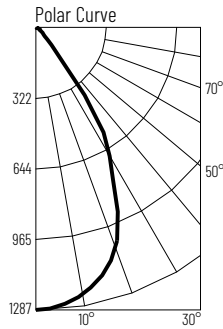
Zone	Lumens	% Luminaire
0-30	932	76.1
0-40	1128	92.1
0-60	1200	98
0-90	1225	100
90-180	0	0
0-180	1225	100

Candela Table

Vertical Angles	Candela
0	1991
5	1906
15	1444
25	771
35	338
45	55

Test Information

Test Number: NTR1887R1
 Part Number: NPR-4RND40XWW
 Beam Spread: 61° Flood
 Lumens: 1200lm
 Wattage: 11.94W
 Efficacy: 100pw
 CCT / CRI: 4000K / 90 CRI
 Spacing Criteria (0°-180°): 0.94
 Spacing Criteria (90°-270°): 0.94



Illuminance at a Distance

Distance from Luminaire	FC at Nadir	Beam Diameter
4'	80.5fc	4'-8"
6'	35.8fc	7'-1"
8'	20.1fc	9'-6"
10'	12.9fc	11'-11"
12'	8.9fc	14'-2"

Zonal Lumen Summary

Zone	Lumens	% Luminaire
0-30	838	69.9
0-40	1089	90.8
0-60	1173	97.8
0-90	1200	100
90-180	0	0
0-180	1200	100

Candela Table

Vertical Angles	Candela
0	1287
5	1268
15	1146
25	875
35	431
45	65

Lumen Output Multipliers

Color Temperature: 2700K (0.9), 3000K (0.92), 3500K (0.97), 4000K (1.0)