

CRYSTORAMA

LIGHTING THE WAY FOR SIXTY YEARS

ASSEMBLY INSTRUCTION MODEL #ELL-B3007-PN

WARNING



Electrical Danger



Turn Power Off

All electrical components must be installed by a licensed electrician in accordance with the National Electric Code and the appropriate local electrical codes.



You will need 6-Candelabra Bulb
60 watts Max Bulb not included
USE LED BULBS FOR EXTENDED USE
This fixture is DRY rated

Installation of mounting plate:

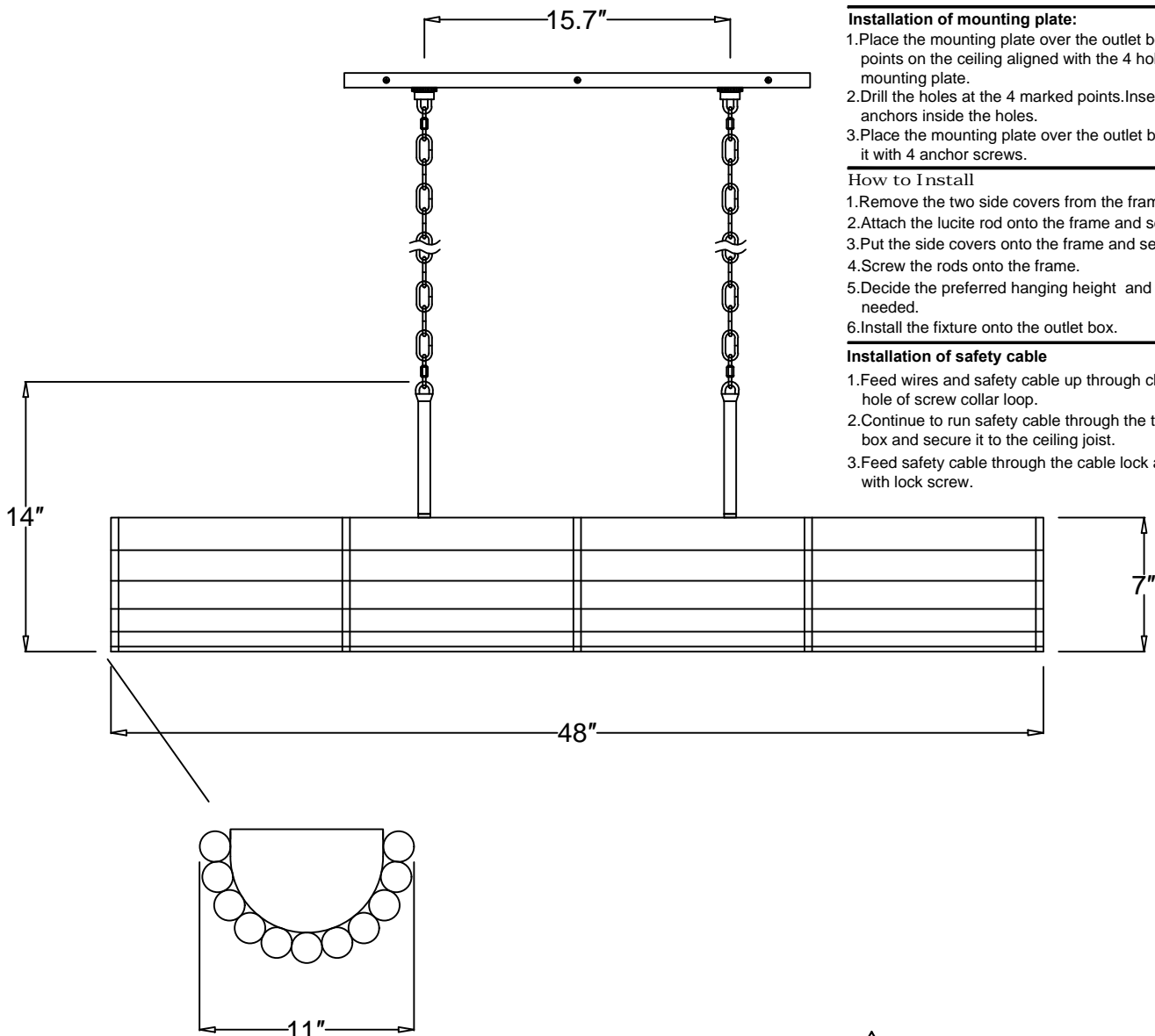
1. Place the mounting plate over the outlet box and mark 4 points on the ceiling aligned with the 4 holes on the mounting plate.
2. Drill the holes at the 4 marked points. Insert the wall anchors inside the holes.
3. Place the mounting plate over the outlet box and secure it with 4 anchor screws.


How to Install

1. Remove the two side covers from the frame.
2. Attach the lucite rod onto the frame and secure with nuts.
3. Put the side covers onto the frame and secure with screws.
4. Screw the rods onto the frame.
5. Decide the preferred hanging height and choose the chain needed.
6. Install the fixture onto the outlet box.

Installation of safety cable

1. Feed wires and safety cable up through chain and the hole of screw collar loop.
2. Continue to run safety cable through the top of outlet box and secure it to the ceiling joist.
3. Feed safety cable through the cable lock and tighten it with lock screw.



 **WARNING:** This product can expose you to Lead, which is known to the State of California to cause cancer and/or birth defects or reproductive harm. For more information go to www.P65Warnings.ca.gov

CRYSTORAMA

LIGHTING THE WAY FOR SIXTY YEARS

PART NUMBER MODEL #ELL-B3007-PN

Part Number

Part Numbers

- A. Mounting Hardware
 - (1) Mounting Plate
 - (3) Wire Nut
 - (4) Outlet Box Screws
 - (6) Screws
- B. (1) Canopy; 24"x5.5"x0.8"h; XMO3007PNCAN24IN
- C. (2) Screw Collar Loop
- D. (2) Collar Ring
- E. (4) Quick Link
- F. (2) Chain; 72"Lx Ø5.0mmT; XMO3004PNCHA5MM
- G. (2) Rod; Ø0.63"x6"h; XMO3007PNROD6IN
- H. (1) Metal frame
- I. (2) Side cover
- J. (6) Candle Sleeve; Ø1"x2.5"h; XMO3002PNCDL2.5IN
- K. (33) Nuts; XMO3002PNBANUT
- L. (33) Metal cap
- M. (11) Lucite rod; Ø1.5"x47.9"h

