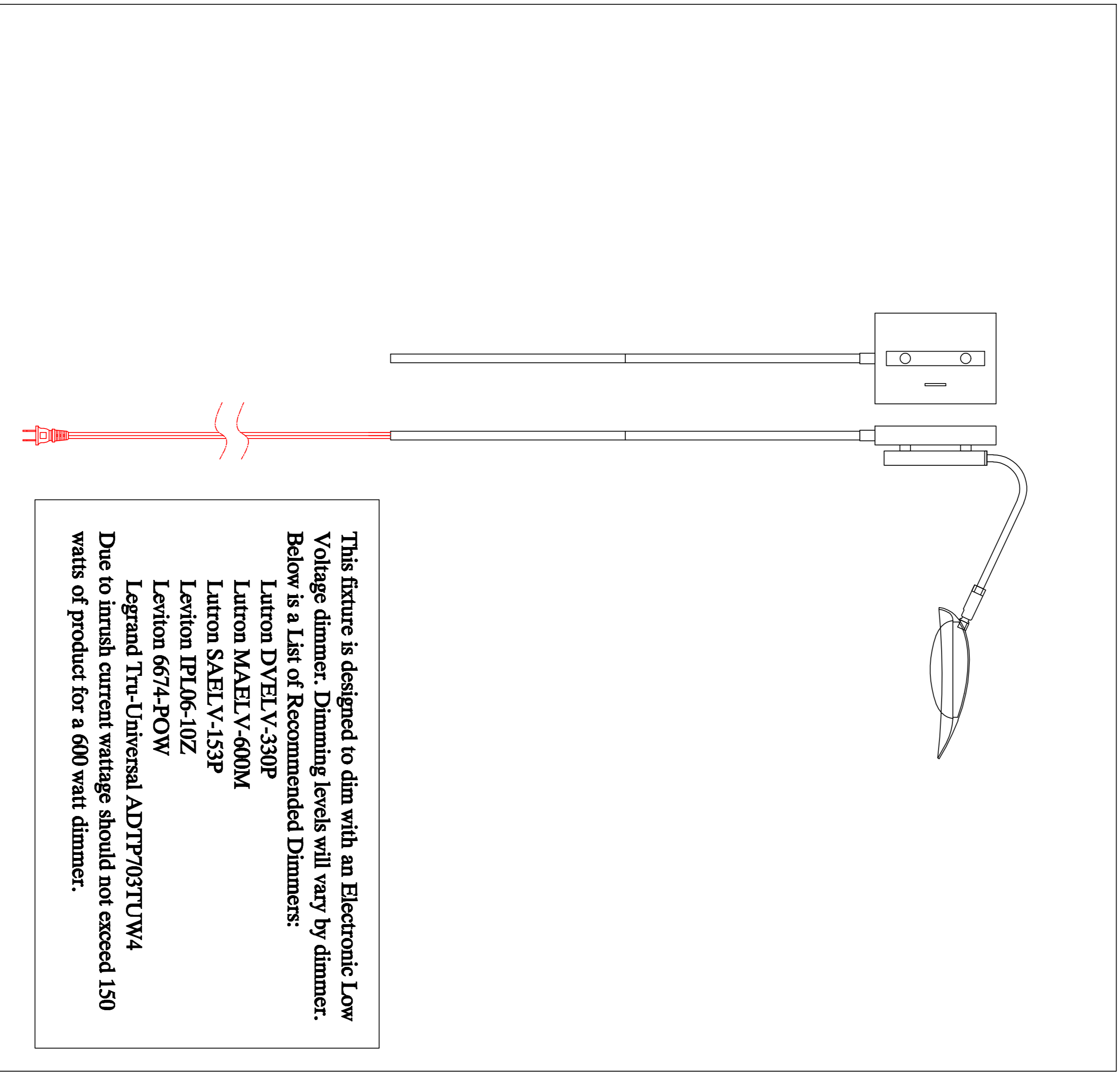


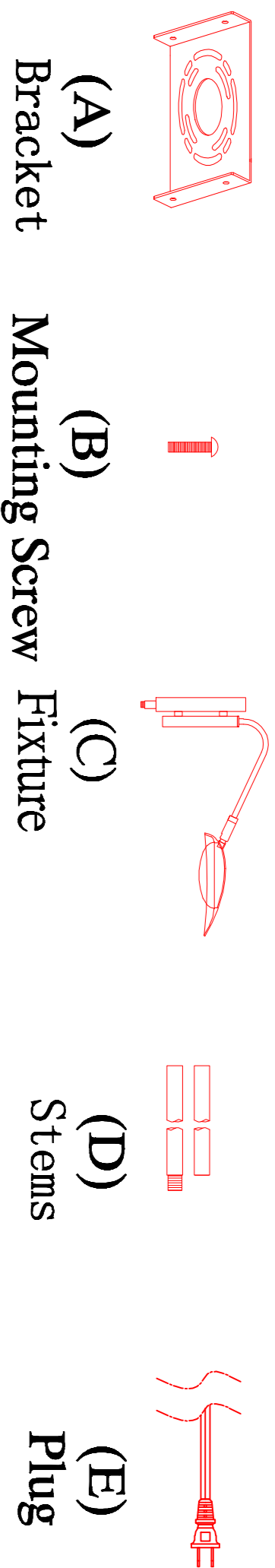
PRODUCT NAME: Scan
ITEM NUMBER: 21691BKSSBR

Please consult your electrician for hanging fixture and wiring.

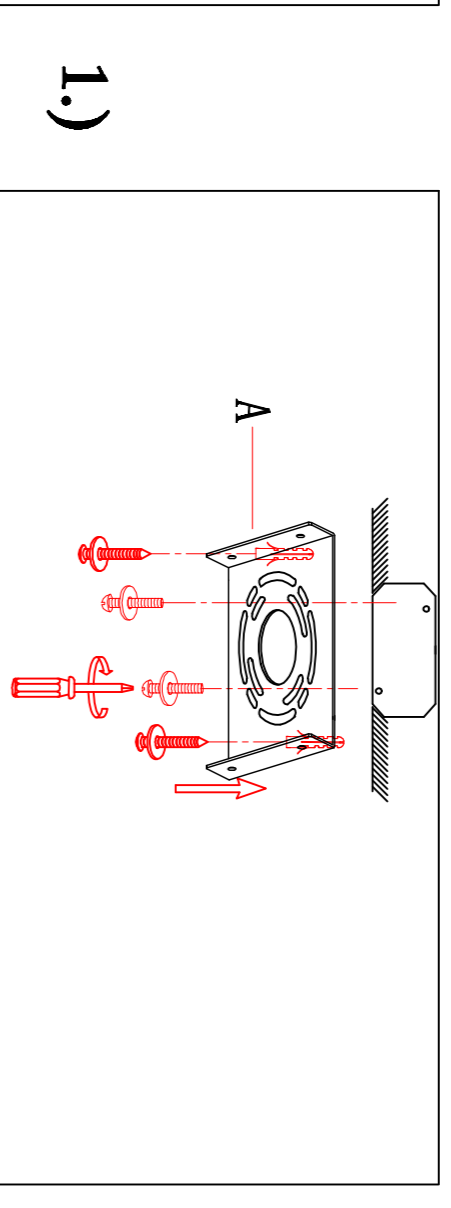
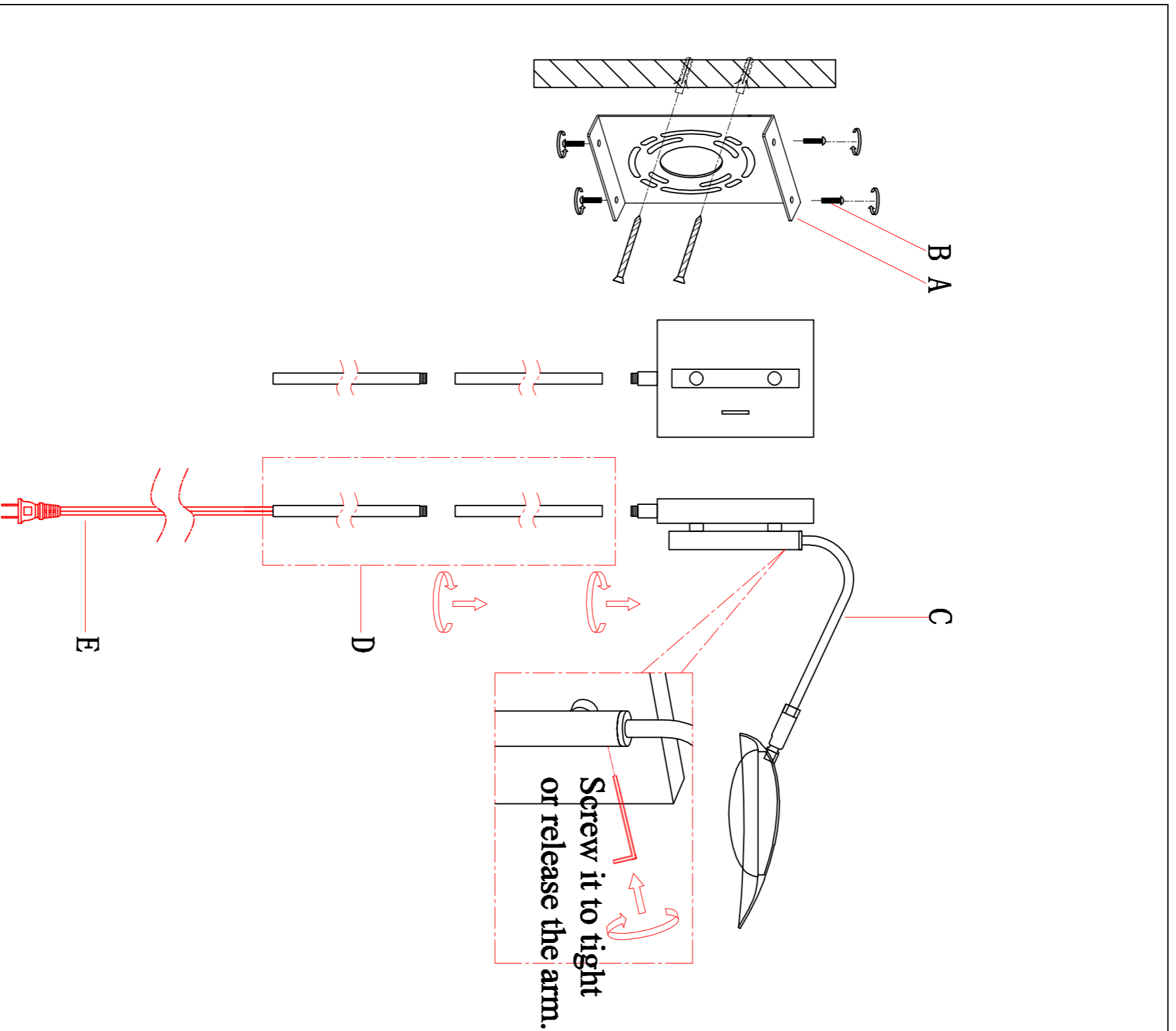


Bulbs (Included): 1*6.5Watt AC LED

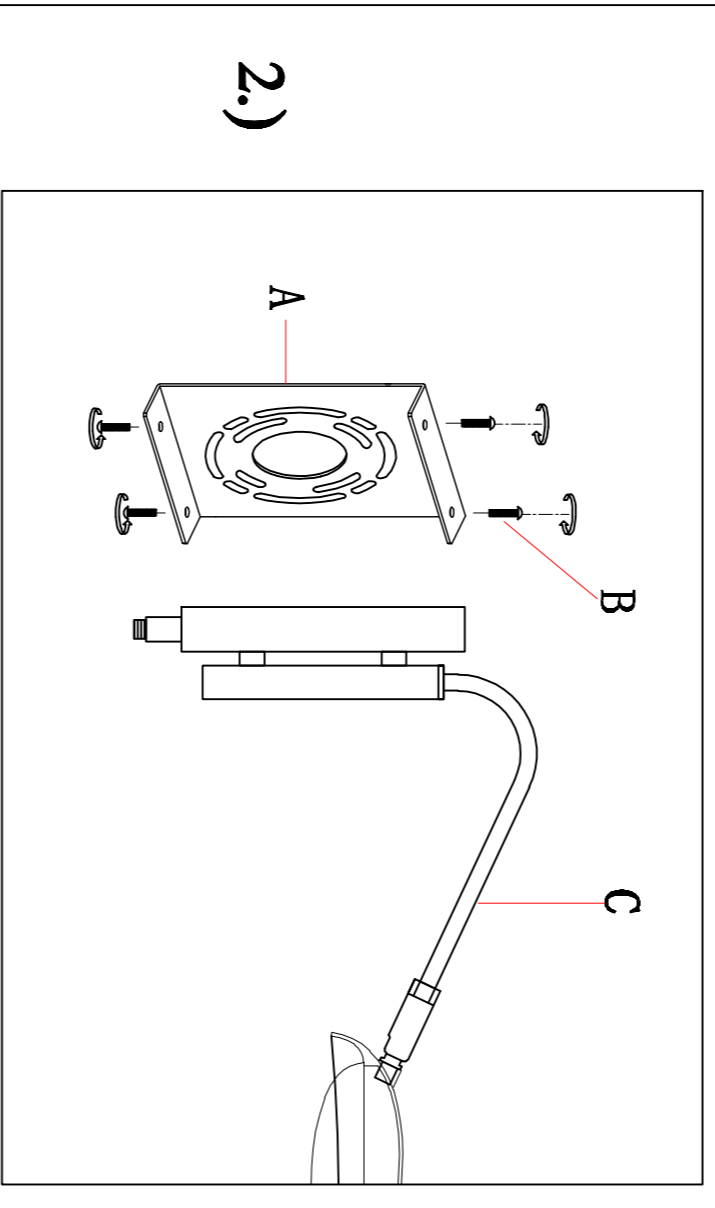
IMPORTANT: Turn off the power at the main fuse or circuit breaker box before starting installation



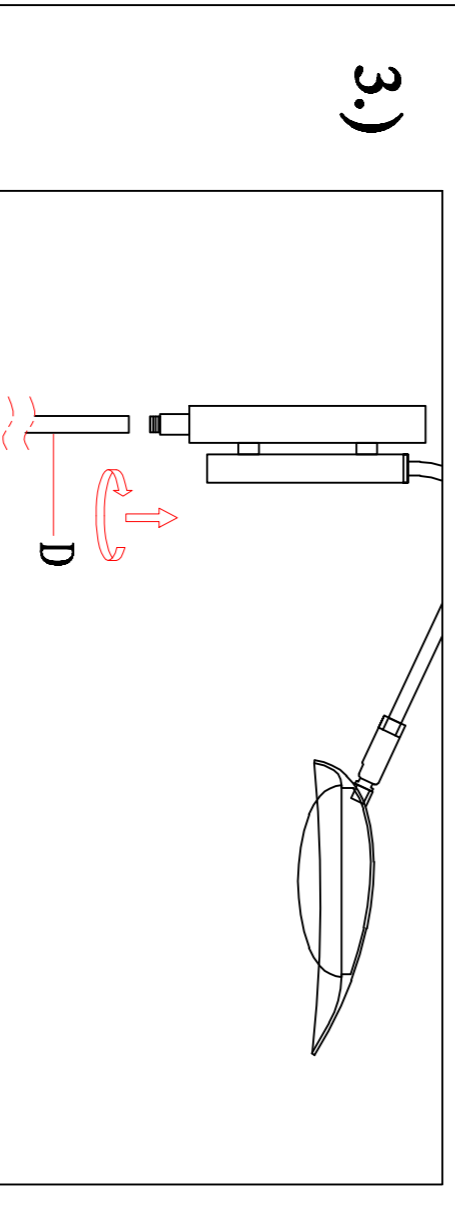
Locate all hardware & components before discarding packaging



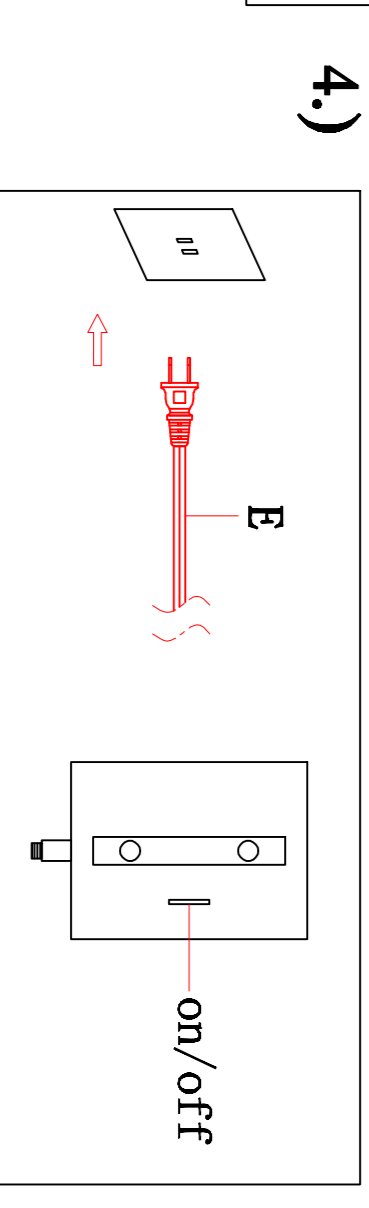
Step.1: Turn breaker off for circuit on outlet where fixture is to be installed. Remove mounting bracket(A) from the fixture, and install to electrical box.



Step.2: Secure fixture (C) to mounting bracket(A) using mounting screws(B) until the fixture is flushing with the wall.

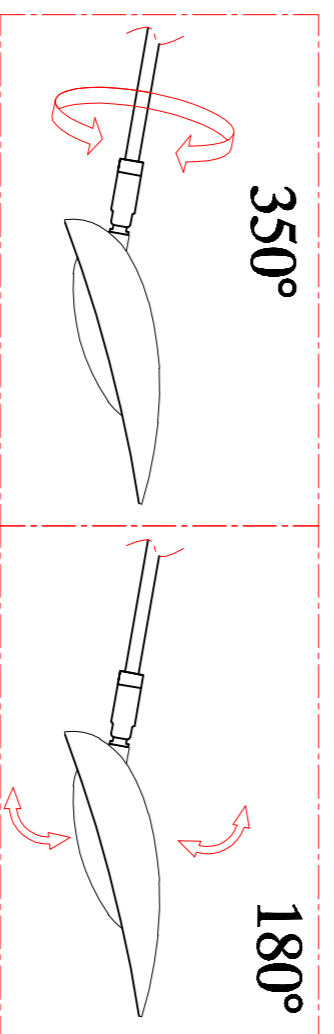


Step.3: Install the stems(D) at the end of canopy. And adjust(turn to right or left side) lamp arms to the desired position.

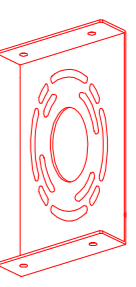

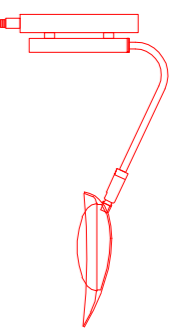
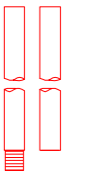
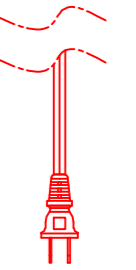



Step.4: Plug in the fixture(E), and turn on the fixture using the tiny switch on canopy.

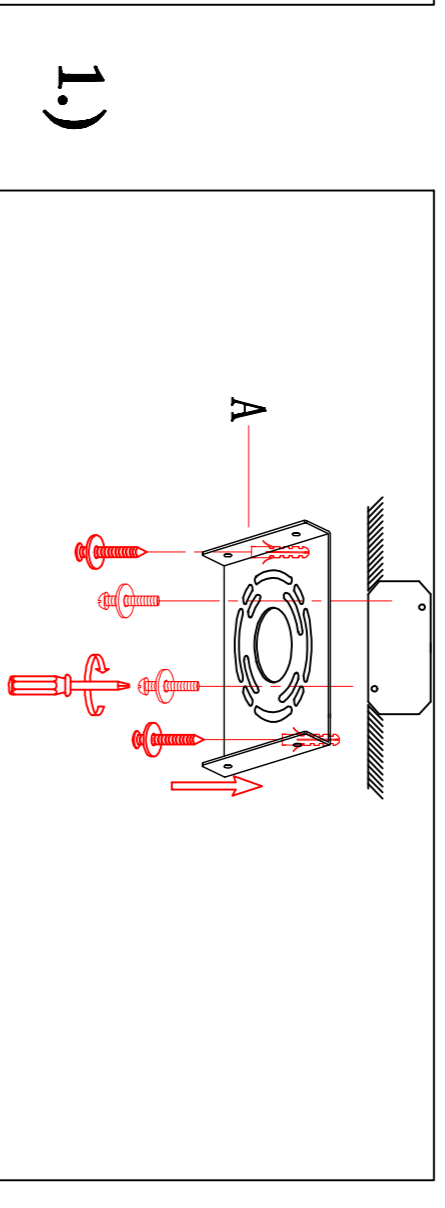
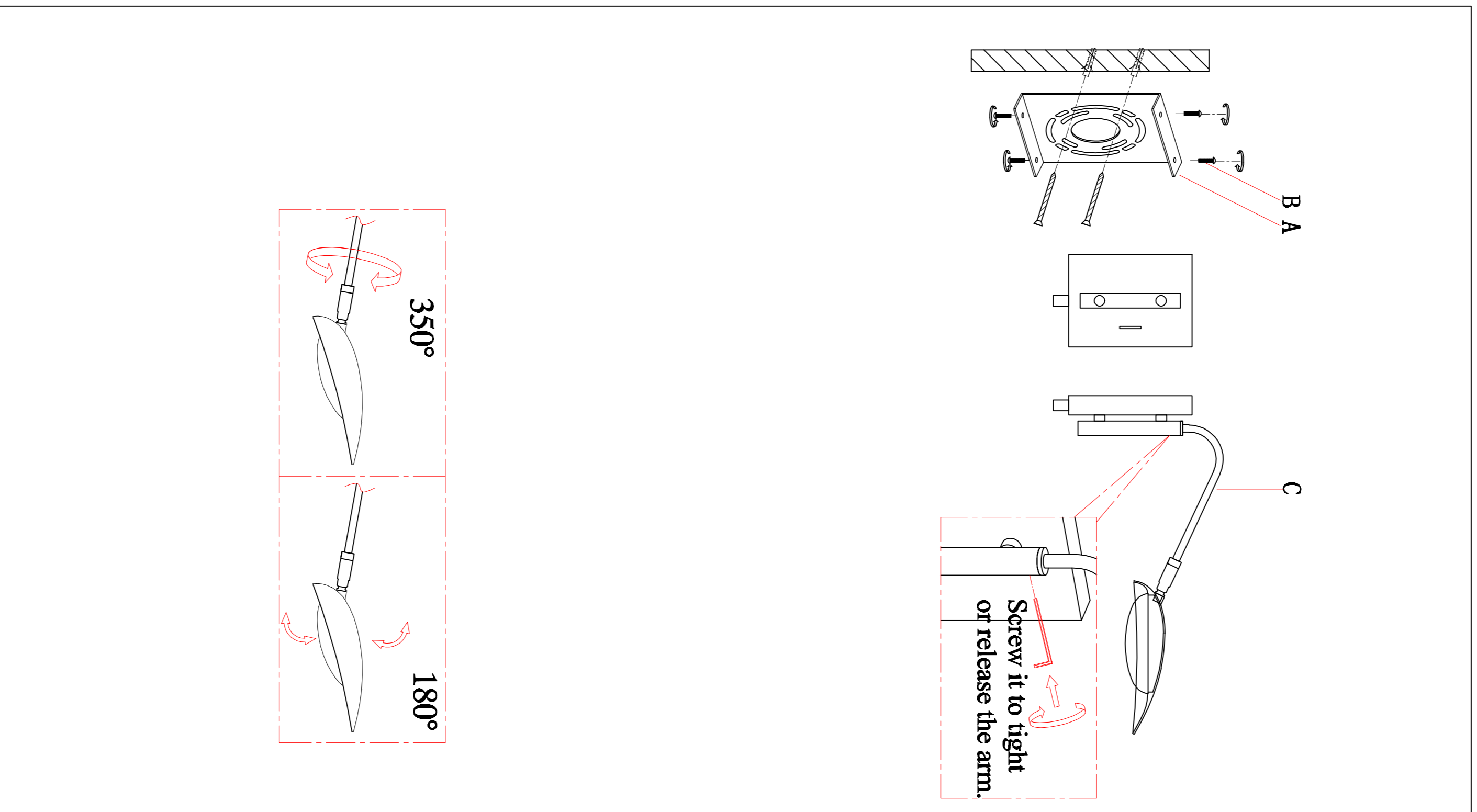
Cleaning & Care:
Clean with soft cloth and a mild detergent.
Do not use abrasive cleaner.



IMPORTANT: Turn off the power at the main fuse or circuit breaker box before starting installation

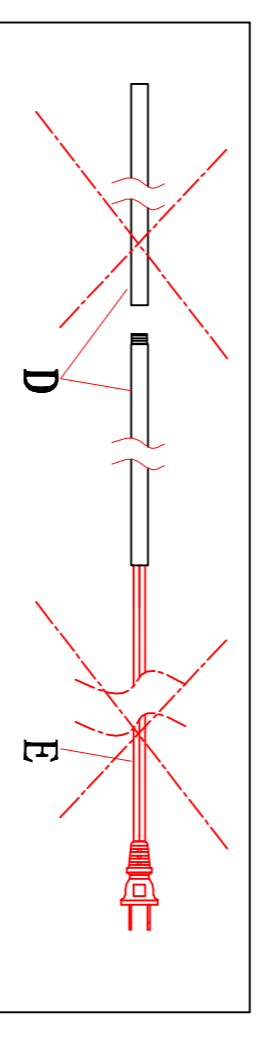
- | | | | | | |
|---|---|--|---|---|---|
|  |  |  |  |  |  |
| (A)
Bracket | (B)
Mounting Screw | (C)
Fixture | (D)
Stems | (E)
Plug | (F)
Cap |

Locate all hardware & components before discarding packaging



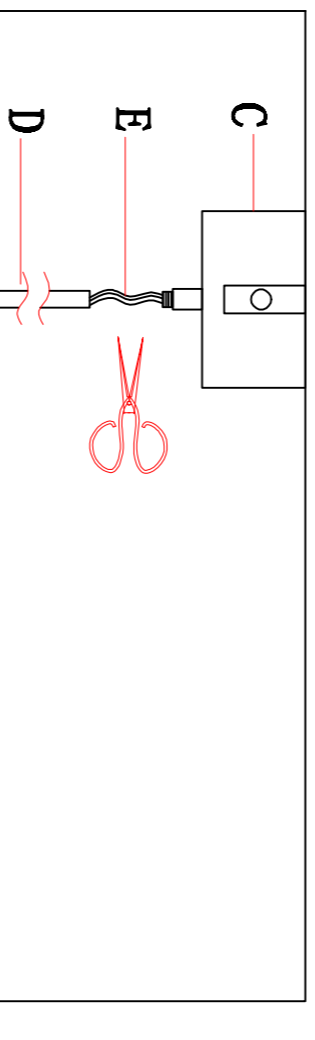
1.)

Step.1: Turn breaker off for circuit on outlet where fixture is to be installed. Remove mounting bracket(A) from the fixture, and install to electrical box.



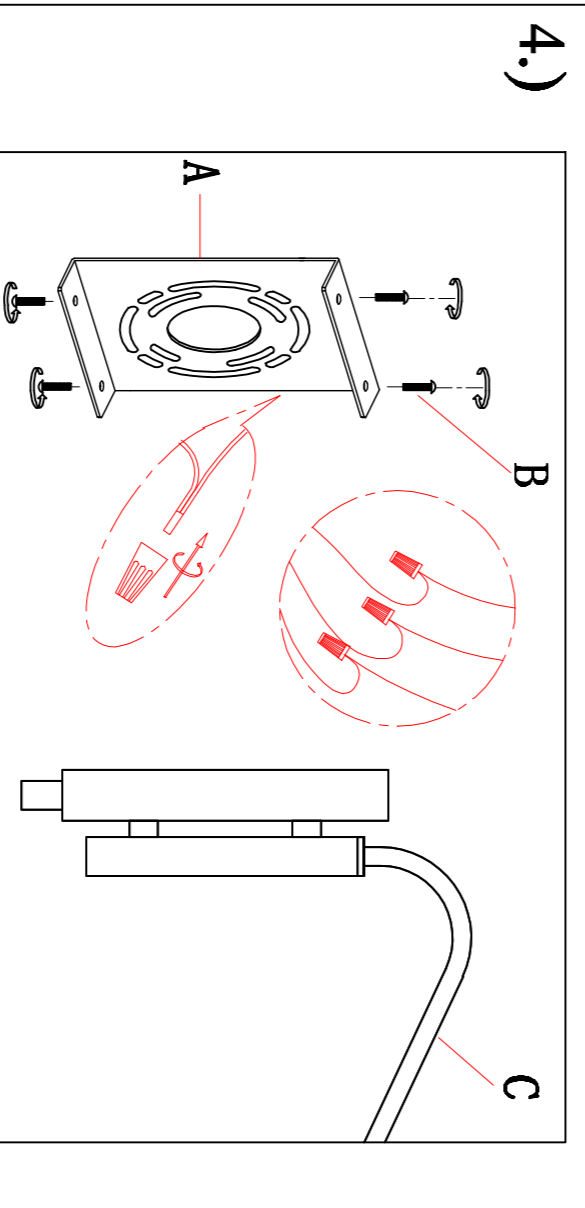
2.)

Step.2: If you do not want use the plug(E), please see the below install instruction.



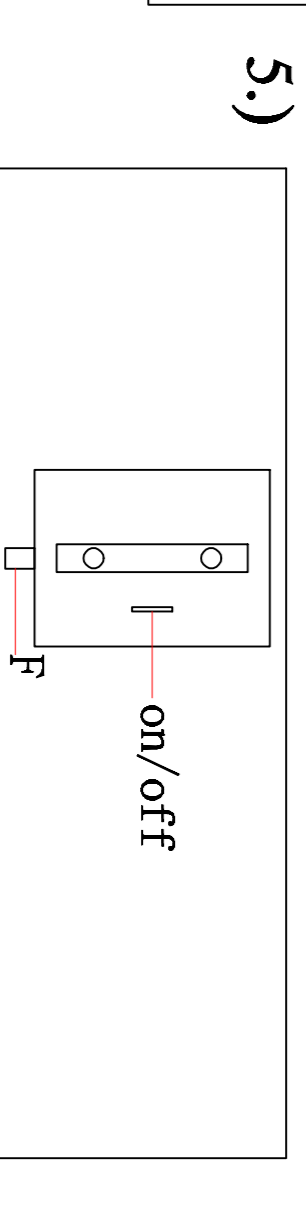
3.)

Step.3: Cut the plug wire(E), do not install the stems.(D)



4.)

Step.4: Wire fixture wires on outlet box, green wire is for Ground. And secure the fixture(C) with bracket(A)until the canopy is meeting the wall.



5.)

Step.5: Install the cap(F)at the end of the canopy. Turn the fixture by the tiny switch on the canopy.

Cleaning & Care:

Clean with soft cloth and a mild detergent.

Do not use abrasive cleaner.