

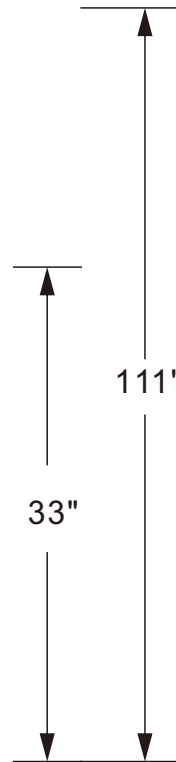
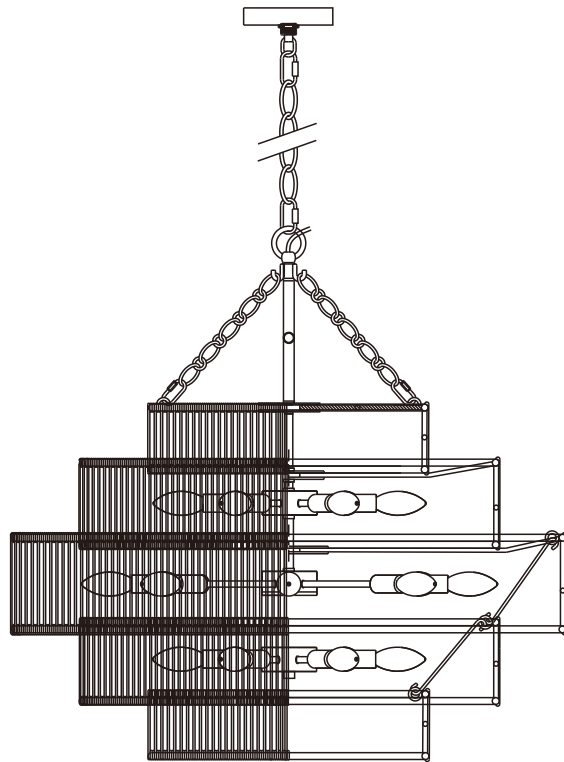
# CRYSTORAMA

LIGHTING THE WAY FOR SIXTY YEARS



Crystorama.com

## ASSEMBLY INSTRUCTION MODEL # SHY-10909-SG



All electrical components must be installed by a licensed electrician in accordance with the National Electric Code and the appropriate local electrical codes.



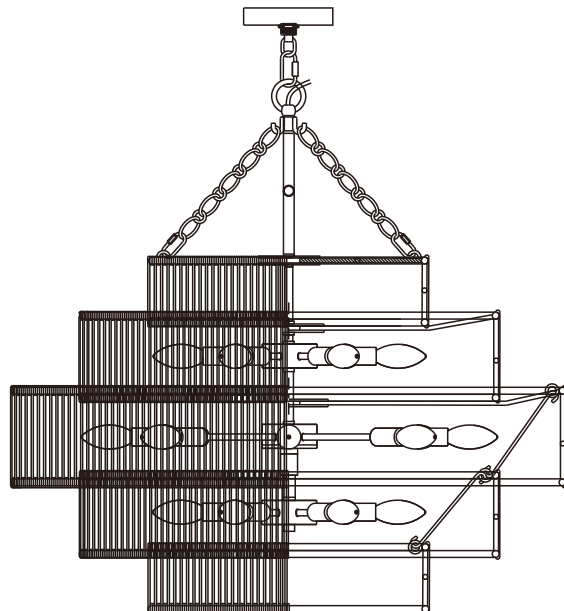
You will need 20 -Candelabra Base Bulb  
25 Watts Recommended 40 Watts Max.  
USE LED BULBS FOR EXTENDED USE  
THIS FIXTURE IS DAMP RATED

### How to Install

1. Slide the center stem kit over the coupler on the top frame and then hook one end of the decorative chain onto the top of frame and the other end onto the hook on the center stem kit.

2. Raise the bottom light cluster up and do the wire connection by inserting the male plug into the female plug. Gently push the wire and plug inside the coupler and screw the bottom light cluster onto the top light cluster by turning the downrod.

3. Hang the middle frame onto the top frame using the long hook stem and then hang the bottom frame onto the middle frame using the short hook stem.



**WARNING:** This product can expose you to Lead, which is known to the State of California to cause cancer and/or birth defects or reproductive harm. For more information go to [www.P65Warnings.ca.gov](http://www.P65Warnings.ca.gov).

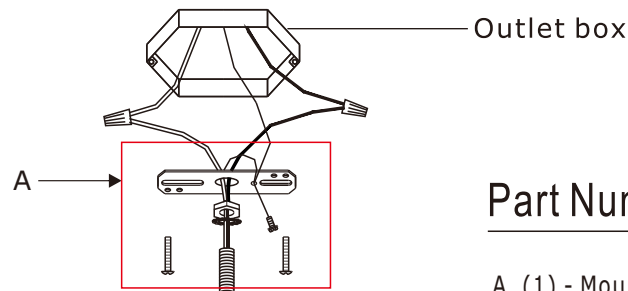
# CRYSTORAMA

LIGHTING THE WAY FOR SIXTY YEARS



Crystorama.com

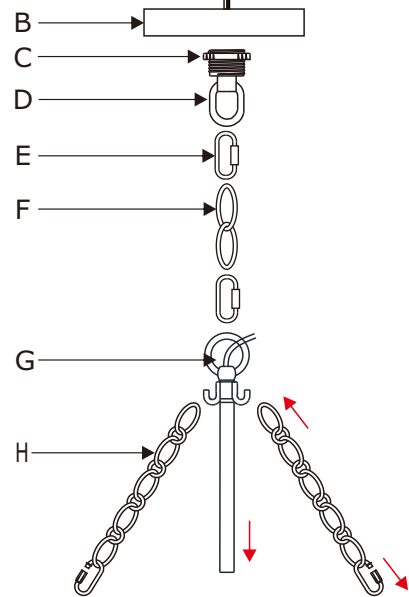
PART NUMBER MODEL # SHY-10909-SG



Outlet box

## Part Number

- A. (1) - Mounting Hardware
- B. (1) - Canopy(W5",H1") #XRE10909SACAN5IN
- C. (1) - Collar Ring
- D. (1) - Collar Loop
- E. (2) - Quick Link
- F. (1) - Hanging Chain(72",4mm) #XRE10907SACHA4MM
- G. (1)-Center Stem Kit
- H. (3) - Decorative chain(13.07",3mm) #XRE10907SGDECHA3MM



Top frame

Top light cluster

Downrod

Bottom light cluster

Middle frame

Bottom frame

