

ASSEMBLY INSTRUCTIONS

Clarion Small Chandelier

Item # BBL 5170

NOTICE:

This light fixture should be installed in accordance with all applicable, local installation codes, and by a person familiar with the construction and operation of it, as well as the hazards involved. Inspect item and contents carefully. If any damage or defect is found, do not install. Retain all packaging material until installation is complete and approved.

TOOLS REQUIRED (NOT INCLUDED):

Phillips Screwdriver

Slotted Screwdriver

Wire Cutters

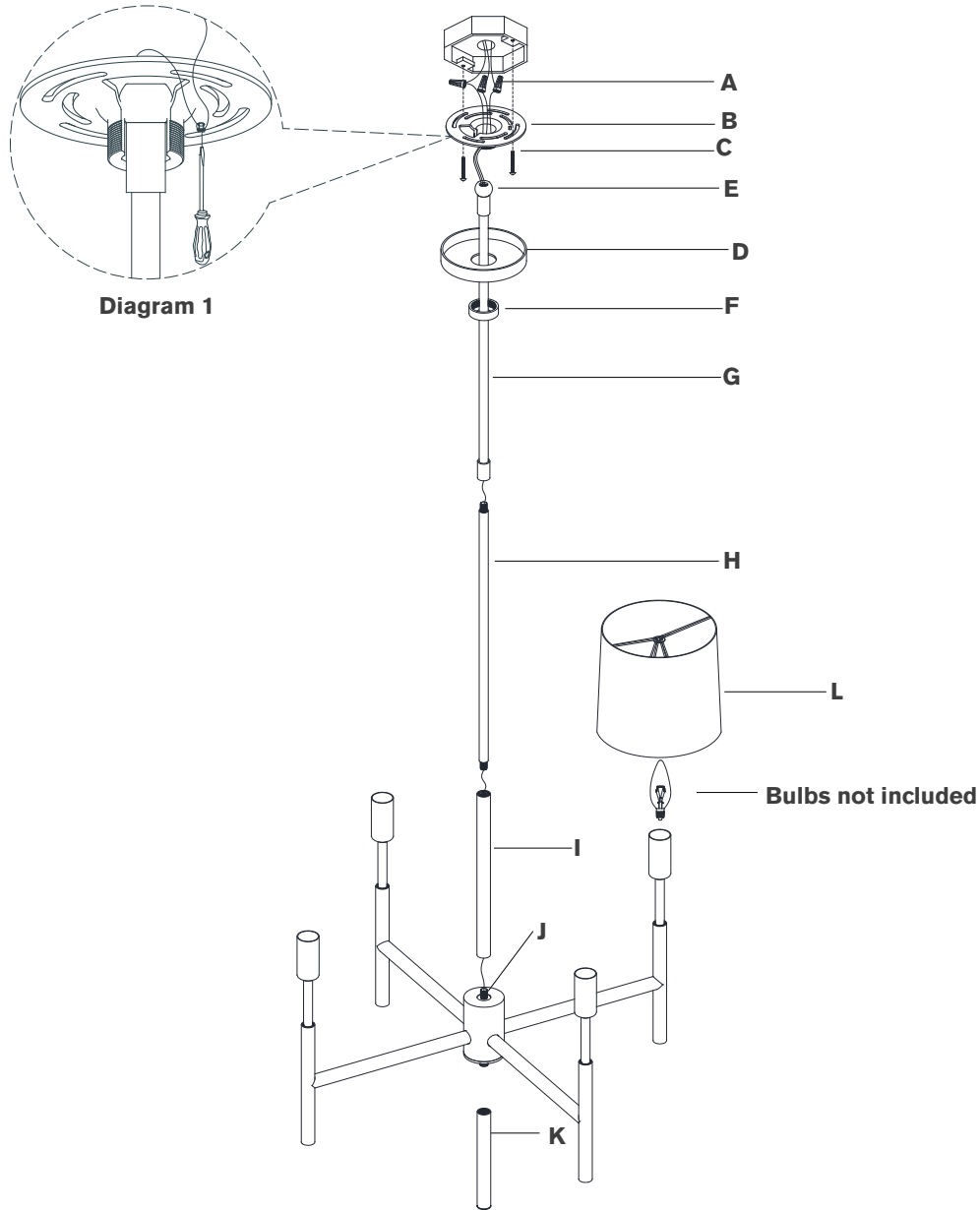
Wire Strippers

1. Carefully remove all parts from the box. Place on a clean, soft surface.
2. Remove mounting plate **(B)** from canopy **(D)** by removing collar ring **(F)**.
3. Install mounting plate **(B)** to junction box and secure with mounting screws **(C)**.
4. Feed fixture wire and ground wire through column **(I)** and connect to fixture body **(J)**.
5. Feed fixture wire and ground wire through bottom rod **(H)** and connect to column **(I)**.
6. Continue feeding wires through collar ring **(F)**, canopy **(D)** and top rod **(G)**.
7. Holding fixture upright, slide collar ring **(F)** and canopy **(D)** down rod and rest on fixture body **(J)**. Connect top rod **(G)** to bottom rod **(H)**.

NOTE: Slide components down slowly to avoid damages.

8. Hang fixture swivel ball **(E)** to the center of mounting plate **(B)**.
9. Cut excess wires, being sure to leave about **12"** to reach the junction box.

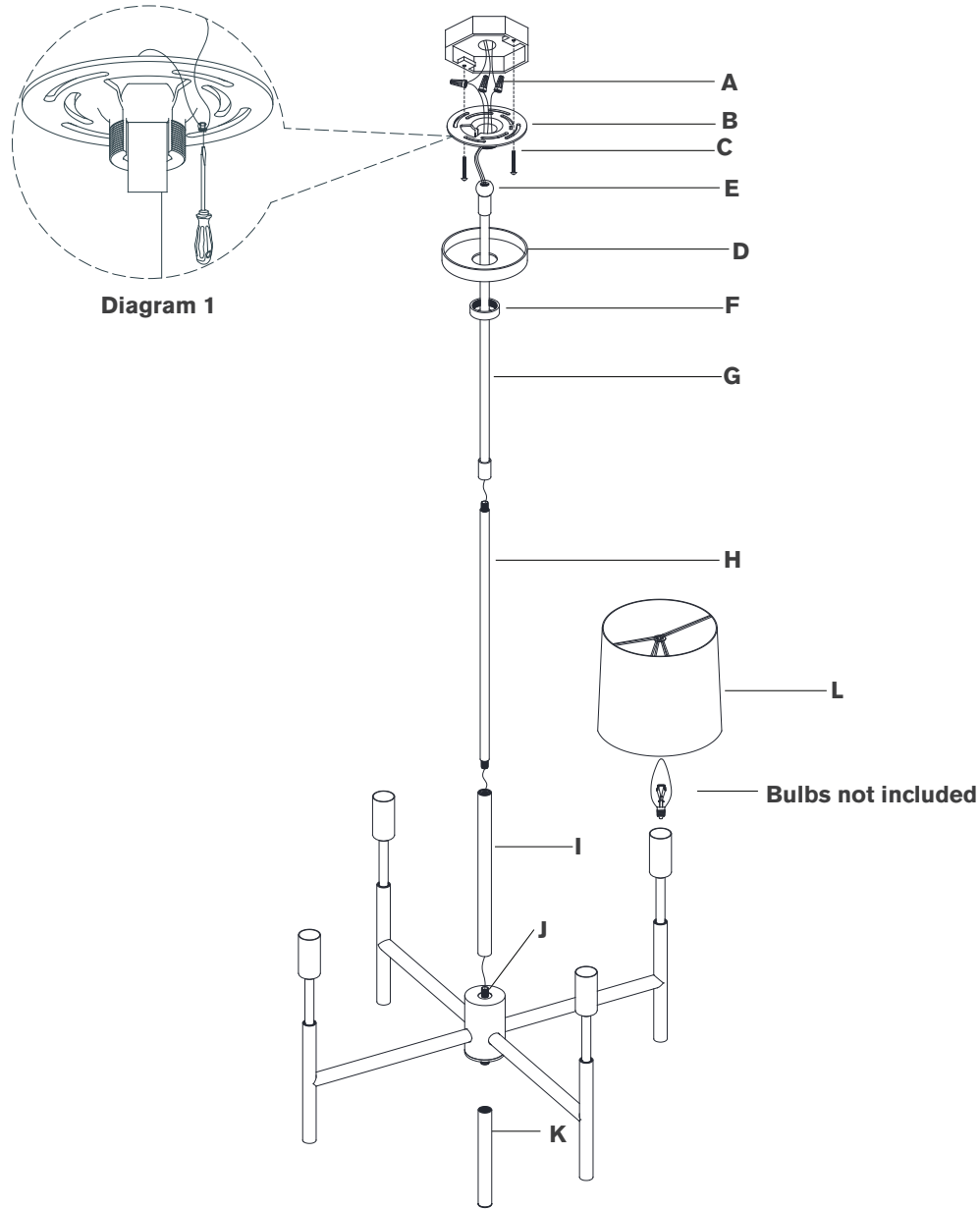
NOTE: Separate two sides of molded wire, and strip insulation on each 5/8".



VISUAL COMFORT



ASSEMBLY INSTRUCTIONS



Clarion Small Chandelier

Item # BBL 5170

NOTICE:

This light fixture should be installed in accordance with all applicable, local installation codes, and by a person familiar with the construction and operation of it, as well as the hazards involved. Inspect item and contents carefully. If any damage or defect is found, do not install. Retain all packaging material until installation is complete and approved.

10. Wrap fixture ground wire (bare copper) around the green grounding screw (see diagram 1). Tighten. Continue fixture ground wire and connect to supply ground wire (usually green or bare copper) using wire nut **(A)**.

NOTE: It is imperative that the fixture is grounded.

11. Connect fixture neutral wire (ribbed) to the supply neutral wire (usually white) using wire nut **(A)**.

12. Connect fixture hot wire (smooth with markings) to the supply hot wire (usually black) using wire nut **(A)**.

CAUTION: Do not reverse the hot and neutral connections.

13. Make sure all wire connections are tight, then carefully tuck into the junction box.

14. Install canopy **(D)** to mounting plate **(B)** by securing with collar ring **(F)**.

15. Thread tube **(K)** to fixture body **(J)**.

16. Install light bulbs into sockets.

17. Clip shades **(L)** onto light bulbs.

Care Instructions: Clean only with a soft dry cloth or feather duster. Do not use abrasive or chemical agents.