

# Low Profile LED Over Bed

Models: HVB, RAB, CYB, SLB Series

# Wall Mounted LED Fixture

## Safety Precautions

Read all safety precautions and installation instructions carefully before installing or servicing this fixture. Failure to comply with these instructions could result in potentially fatal electric shock and/or property damage.

It is recommended that a qualified electrician perform all wiring. This fixture must be wired in accordance with all national and local electrical codes.

Do not handle any energized fixture or attempt to energize any fixture with wet hands or while standing on a wet or damp surface or in water.

This fixture is intended to be used for general indoor lighting in dry or damp locations only.

This fixture is designed for use in a 120VAC, 60Hz fused circuit. Do not use on a dimming circuit.

Make sure that the power source conforms to the requirements of the fixture (see labels on fixture housing).

To reduce the risk of electrical shock, and to assure proper operation, this fixture must be adequately grounded. To accomplish proper grounding, there must be a separate ground wire (green) or bare metal contact (metal conduit) between this fixture and the ground connection of your main power supply panel. The green ground screw location is clearly marked on the fixture housing. This fixture is intended to be used for general indoor lighting in dry or damp locations only.

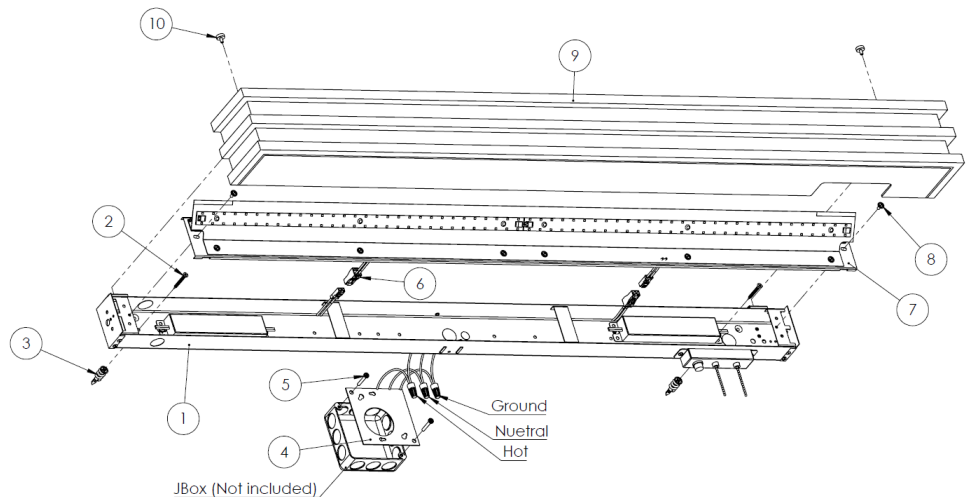
## Assembly Instructions

### 1. Preparing for Installation

- A. **Disconnect electrical power** before installing or servicing any part of this fixture.
- B. Remove appropriate knockout(s) on channel assembly (1) for power supply entry.

### 2. Fixture Mounting

- A. Line up cover plate (4) from parts bag and mount to jbox (not included) with screws (5) from parts bag.
- B. Position the channel assembly (1) onto the wall with the “this side up” sticker facing the proper direction and mark all appropriate mounting locations. Take the channel assembly (1) down and punch a small hole in the wall at each of the locations using a nail to see if there is a wall stud to mount the fixture to. Where there is a wall stud, use a suitable screw (2, not included) to mount the fixture. Where there is no stud to screw into, a drywall anchor or toggle bolt (3, not included) must be used to mount the channel assembly securely to the wall.



### 3. Wiring

**Caution:** Make sure power is off at fuse or circuit breaker box. Check power wires for damage or scrapes. If power supply wires are within three inches of drivers, use wire suitable for at least 90° C (194° F). **Note:** Most dwellings built before 1985 have supply wire rated to 60° C. Consult a qualified electrician before installing.

- A. This unit will not operate properly unless connected to a “grounded” electrical circuit. Electrical shock, over heating, low or no light output, and shortened lamp life can result if proper grounding is not done. Feed the green (or green and yellow) wire through knockout and securely attach to provided green ground screw.
- B. Feed the white and black wires through knockout. Using provided wire nuts, connect white supply wire to white LED driver wire, connect black hot supply wire to black LED driver wire. Pull on each wire lead to verify all connections are secure. Make certain no bare wires are exposed outside of the wire nuts. Secure channel assembly (1) to wall.
- C. With divider/LED assembly (7) facing the correct direction (see “this side up” sticker), connect quick disconnect (6) coming out of the divider/LED assembly with the leads that are coming out of the channel assembly.
- D. Mount the divider/LED assembly (7) using the two screws (8) to the main channel assembly (1).

### 4. Diffuser Assembly

- A. Place the diffuser (9) over in channel assembly (1) flush up against the wall lining up the two clearance holes on the top of the diffuser (9) with the two tapped holes on the top of the channel assembly (1).
- B. Use the provided thumb nuts (10) hand tightening the diffuser into place.

### 5. Restore power at fuse or circuit breaker box.

#### Limited Factory Warranty

AFX Inc. hereby warranty that this fixture is free from defects in materials and workmanship when installed and used under normal operating conditions for a period of 5 years from date of purchase. This warranty covers all component parts and extends only to replacement of defective fixture or components; it does not cover failure due to improper installation, misuse, mishandling or damage incurred in transit.