

INSTALLATION INSTRUCTIONS

Model 521CHB/521CHXL

FOR YOUR SAFETY WARNING: BE SURE THE ELECTRICITY TO THE WIRES YOU ARE WORKING ON IS SHUT OFF; EITHER THE FUSE IS REMOVED OR THE CIRCUIT BREAKER IS SHUT OFF. GENERAL You don't need special tools to install this fixture. Be sure to follow the steps in the order given. Under no circumstances should a fixture be hung on house electrical wires, nor should a swag type fixture be installed on a ceiling which contains a radiant type heating system. Read instructions carefully. If you are unclear as to how to proceed, consult a qualified electrician.

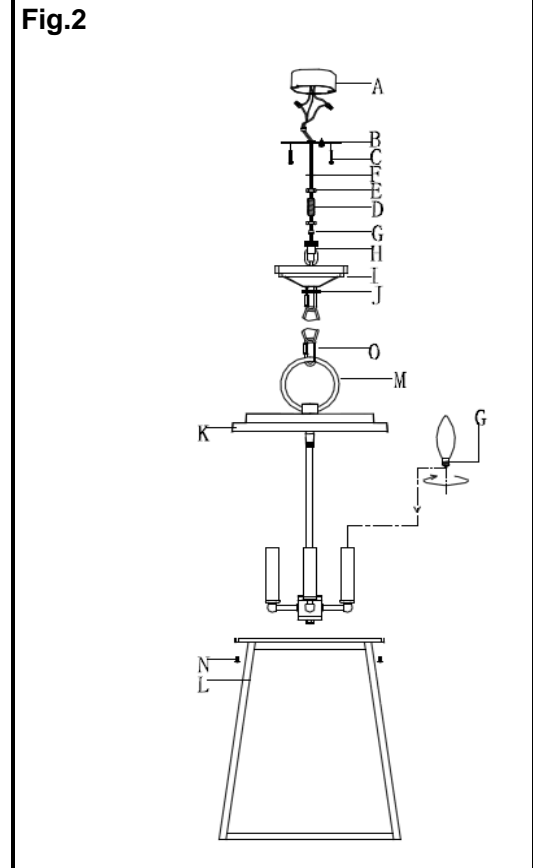
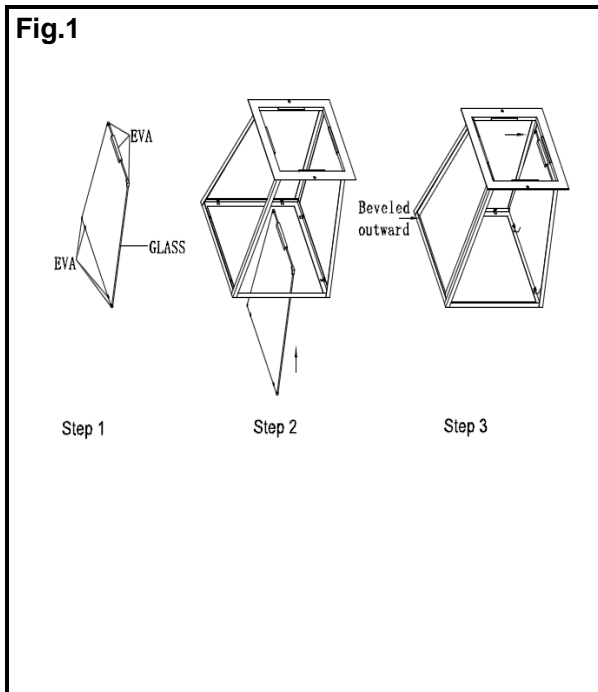
NOTE: Proper wiring is essential for the safe operation of this fixture.

INSTALL GLASS (Fig. 1)

1. Shut off the power at the circuit breaker and remove the old fixture, including the mounting hardware.
2. Carefully unpack your new fixture and lay out all the parts on a clear area. Take care not to lose any small parts necessary for installation.
3. Install the glass panel into cage
Step 1: Place EVA Pad on the glass which show as Fig.1
Step 2: Put the glass from bottom cage to top
Step 3: Hold the glass by glass clip

Attach cage (Fig. 1)

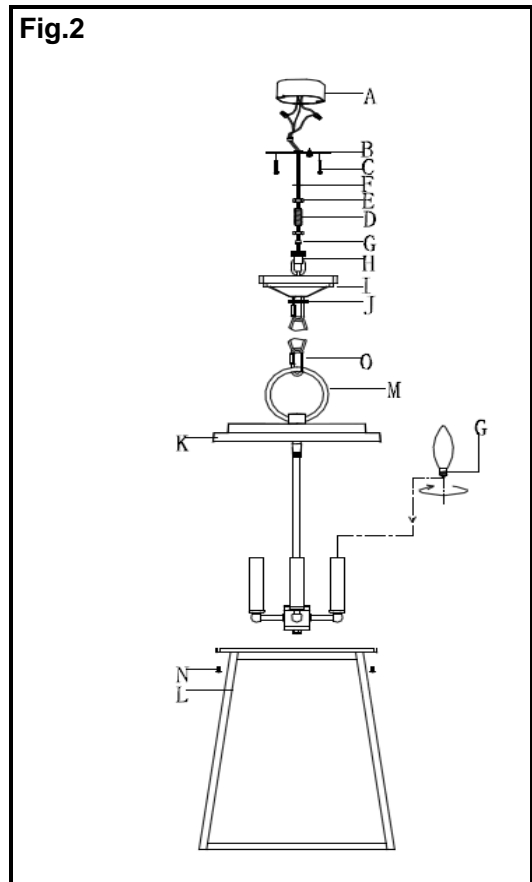
4. Attach cage(L) to roof(K) by mounting screws(N)



HANGING THE FIXTURE (Fig. 1)

5. Shut off the power at the circuit breaker and remove the old fixture, including the mounting hardware. Carefully unpack your new fixture and lay out all the parts on a clear area. Take care not to lose any small parts necessary for installation.
6. Place lock washer (F) over end of nipples (D) protruding through crossbar (B) and thread hex nut (E) onto nipples (D) until tight. Take this crossbar assembly and mount to ceiling outlet box screws (C). Tighten screws securely with screwdriver. The side of the cross bar marked "GND" must face out.
7. Adjust the Chain to your desired length by removing links if needed.
8. Pull the supply wires through the Chain alternating links. After the wires are through the Chain, pull the Supply Wires and the Ground Wire through the Canopy Lock Ring (J) and the Ceiling Canopy (I) in order.
9. Attach one end of the Chain to the Fixture Loop (M) with one Quick Link (O). Lift the fixture and Chain up and attach the other end of the Chain onto the Canopy Chain Loop (H) with another Quick Link (O). The fixture will now hang safely.
10. Feed the Supply Wires and Ground Wire through the Canopy Chain Loop (H) and Nipple (D) into the Outlet Box.

Fig.2



CONNECTING THE WIRES (Fig. 2)

At this point, connect the electrical wires as follow:

Connect the smooth wire from the fixture to the black (hot) house wire.

Connect the ribbed wire from the fixture to the white (neutral) house wire.

Make sure all wire nuts are secured. You may wrap the connections with electrical tape.

If your outlet has a ground wire (green or bare copper). Connect fixture's ground wire to it.

Otherwise, connect fixture's ground wire directly to the crossbar using the green screw provided.

Tuck the wire connections neatly into the ceiling junction box.

11. Raise the Ceiling Canopy (I) and Canopy Lock Ring (J) up Chain and over the Canopy Chain Loop (H). Tighten the Canopy Lock Ring (J) onto the Canopy Chain Loop (H) until tight.
12. Install the bulb (E12 Candelabra, not included.) in accordance with the fixture's specification.

DO NOT EXCEED THE MAXIMUM WATTAGE RATING!

Your installation is now complete. Return power to the junction box and test the fixture

Fig. 3

FIXTURE
WIRES
Black or
Smooth



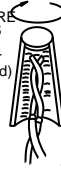
HOUSE
WIRES
Black
(Hot)

FIXTURE
WIRES
White or
Ribbed



HOUSE
WIRES
White
(Neutral)

FIXTURE
WIRES
Bare
Copper
(Ground)



HOUSE
WIRES
Green or
Bare
Copper
(Ground)