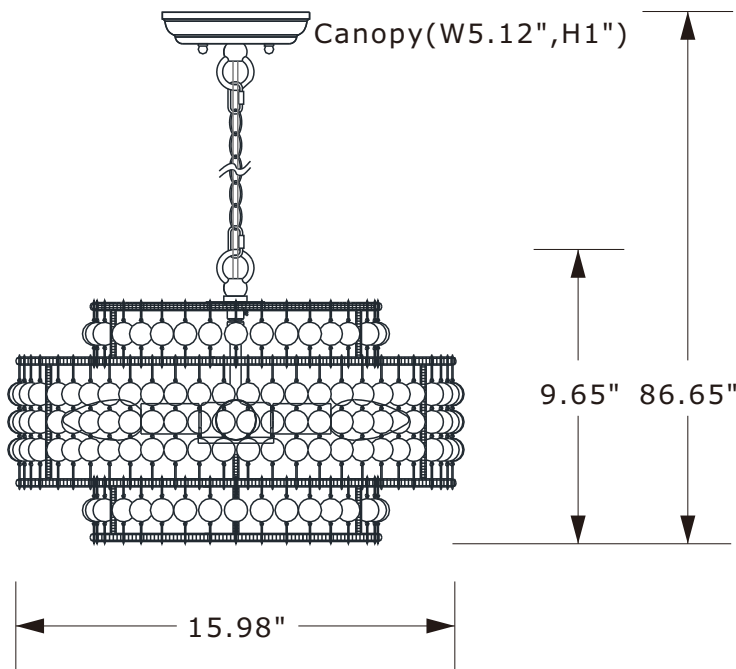


CRYSTORAMA

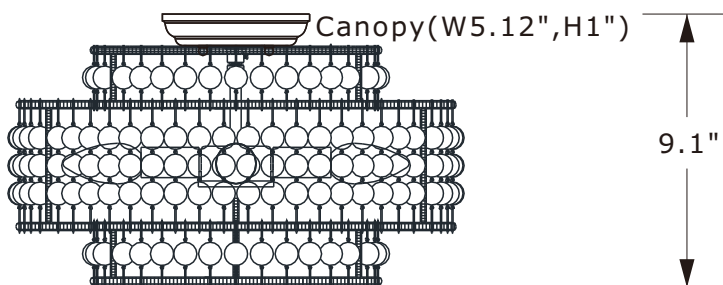
LIGHTING THE WAY FOR SIXTY YEARS

ASSEMBLY INSTRUCTION MODEL #SIL-B6003-BS

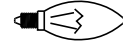
Hanging



Ceiling



All electrical components must be installed by a licensed electrician in accordance with the National Electric Code and the appropriate local electrical codes.



You will need 4-Candelabra Base Bulb
40 Watts Recommended 60 Watts Max.

USE LED BULBS FOR EXTENDED USE

This fixture is DAMP rated


How to install

For hanging:

1. Screw the loop onto the top of fixture.
2. Insert recommended bulb (not included).

For ceiling:

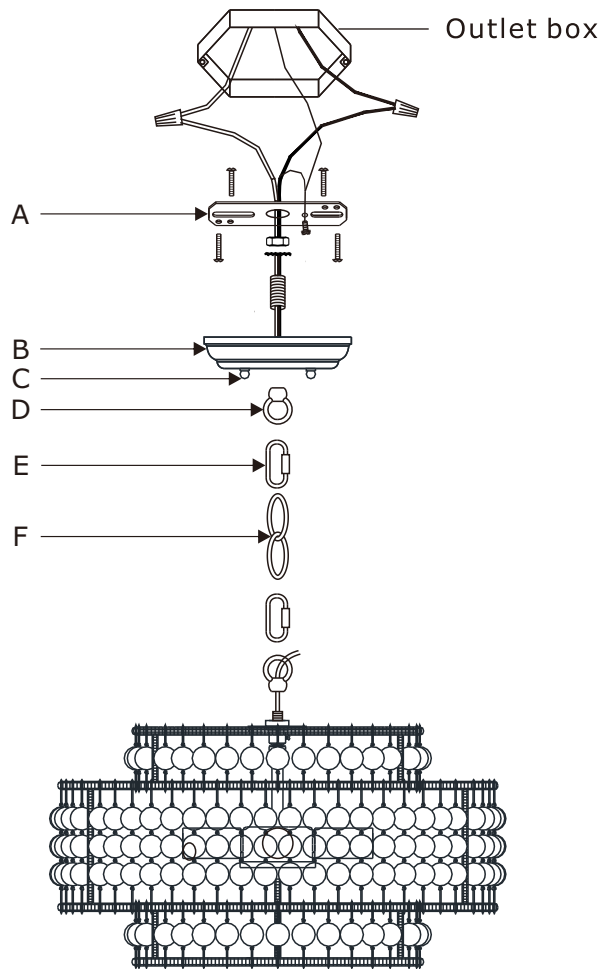
1. Insert recommended bulb (not included).
2. Remove the loop and threaded pipe at the bottom of the canopy by unscrewing the hex nut on the inner side of the canopy.
3. Remove the mounting plate by unscrewing the 2 ball nuts at the bottom of the canopy.
4. Attach the canopy onto the top of the fixture and secure it with a hex nut.

 **WARNING:** This product can expose you to Lead, which is known to the State of California to cause cancer and/or birth defects or reproductive harm. For more information go to www.P65Warnings.ca.gov.

CRYSTORAMA

LIGHTING THE WAY FOR SIXTY YEARS

PART NUMBER MODEL #SIL-B6003-BS



Part Number

- A. (1) - Mounting Hardware
- B. (1) - Canopy(W5.12",H1") #XRE6003BSCAN5.12IN
- C. (2) - Ball Nut #XRE6003BSBANUT
- D. (2) - Fixture Loop
- E. (2) - Quick Link
- F. (1) - Hanging Chain(72",4mm) #XRE6003BSCHA4MM