

# NYRA LARGE PENDANT

VISUAL COMFORT & CO.

## PRODUCT FEATURES

- The Nyra Collection is a stunning collection inspired by the geometric nature of a flower bud
- Offered in modern finishes.
- Smooth panels of light guide technology produce an ample amount of general illumination
- Includes (4) 12" and (2) 6" rigid stems in coordinating finish
- Protected by a 5-year warranty



To view all available finish options, please visit [techlighting.com](http://techlighting.com)

## LAMPING

Includes 55.1 watts, 2707 total delivered lumens, 3000K LED modules. Dimmable with most LED compatible ELV and Triac dimmers. Ships with (4) 12" and (2) 6" rigid stems in coordinating finish. Can be installed on a sloped ceiling up to 20°. 120V-277V.

## ORDERING INFORMATION

SLPD284	COLOR TEMP	FINISH
	303000K	B NIGHTSHADE BLACK BR PLATED BRASS

SLPD284 \_\_\_\_\_

JOB NAME \_\_\_\_\_

NOTES \_\_\_\_\_

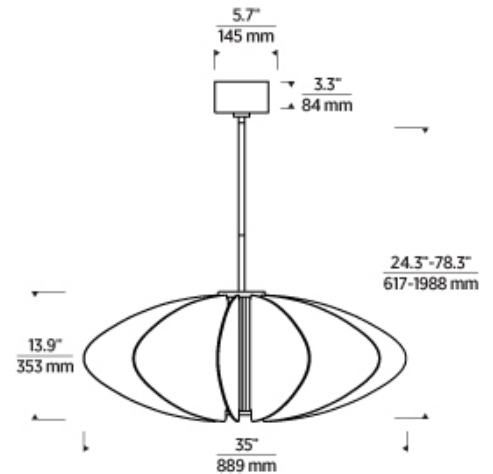


# NYRA LARGE PENDANT

VISUAL COMFORT & Co.

## SPECIFICATIONS

PRIMARY MATERIAL	Aluminum
SHADE MATERIAL	Acrylic
NET WEIGHT	26.5 lbs
HEIGHT	13.9in
WIDTH	35in
LENGTH	35in
UP LIGHT / DOWN LIGHT / BOTH?	
WET LISTED	
DAMP LISTED	
DRY LISTED	
MIN. HANGING HEIGHT	24.3in
MAX HANGING HEIGHT	78.3in
TOTAL CORD LENGTH	
TOTAL STEM LENGTH	Up to 60in
STEM QTY	6
SLOPED CEILING ADAPTABLE?	Yes 20° Max
GENERAL LISTING	ETL Listed
INCLUDES	



## LAMPING SPECIFICATIONS

	LED LAMP	INTEGRATED LED	NON LED	NO LAMP
DELIVERED LUMENS		2707		
WATTS		55.1		
MAX WATTAGE PER BULB		55.1W		
		Universal 120V-277V 0-10, ELV, TRIAC		
CCT		3000K		
CRI		90 CRI		
LED LIFETIME		>50000		
L70				
AVERAGE BULB HOURS				
FIELD SERVICEABLE LED				
LAMP BASE		Integrated LED		
LAMP SHAPE		Integrated LED		
LAMP INCLUDED?		True		
WARRANTY**		5 Years		

\* Dimming information available at [www.techlighting.com/Downloads#dimming](http://www.techlighting.com/Downloads#dimming)

\*\* Visit [techlighting.com](http://techlighting.com) for specific warranty limitations and details.

## T20 / T24 / JA8 INFORMATION

	Integrated LED	Replacement LED Lamp	No Lamp *
This product can be used to comply with California Building Energy Efficiency Standards 2016 Title 24 Part 6 / JA8.	Yes		
This product can be used to comply with California Appliance Efficiency Standards 2016 Title 20 and may be shipped to and sold in California.			

\* If a light fixture or component does not include a lamp or light source, it is the responsibility of the customer to select a lamp that meets the T24 and T20 requirements.

