

## 1044BK INSTALLATION INSTRUCTIONS

Please read carefully and save these instructions, as you may need them at a later date.

### CAUTION

**WARNING:** Risk of Fire. Consult a qualified electrician to ensure correct branch circuit conductor. Min 90°C supply conductors.

Turn off the main power at the circuit breaker before installing the fixture, in order to prevent possible shock.

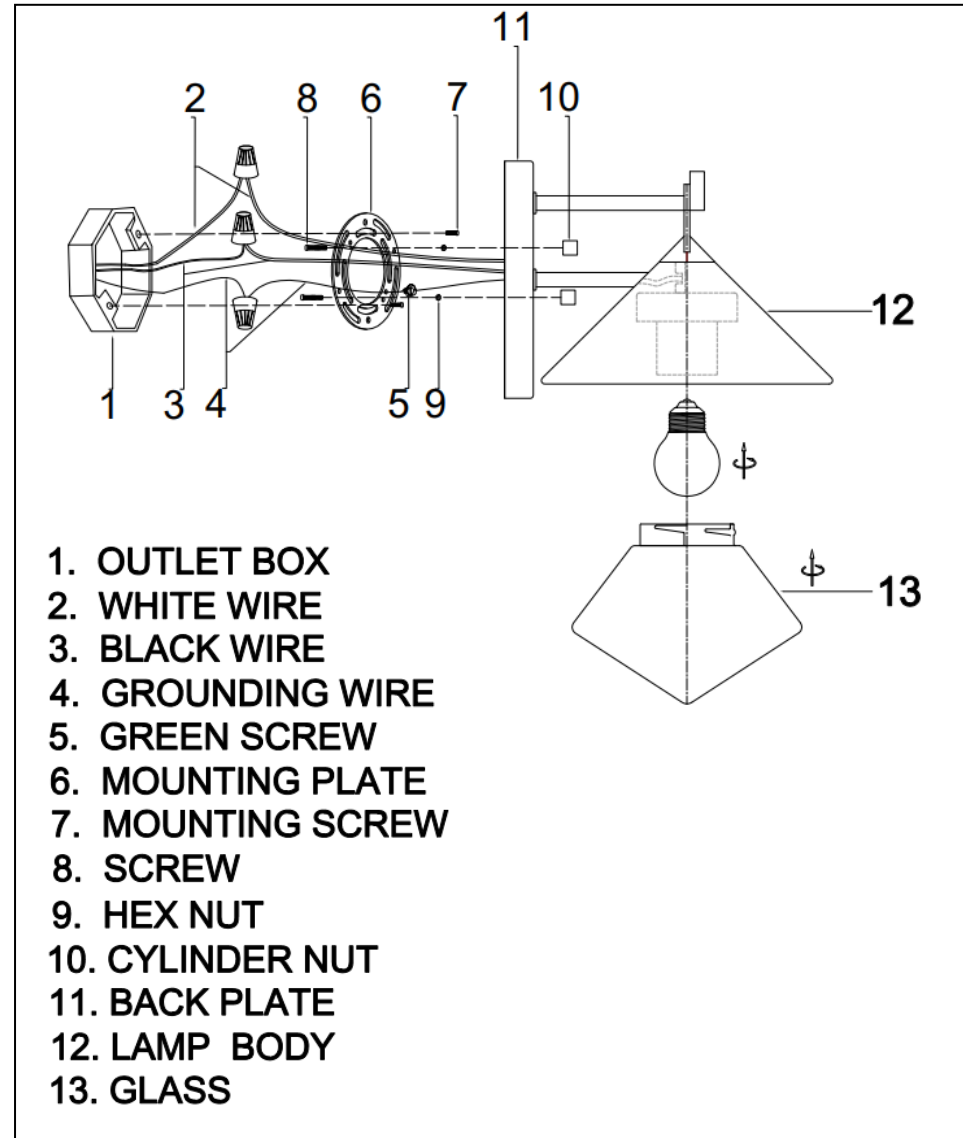
### GENERAL

All electrical connections must be in accordance with local and National Electrical Code (N.E.C.) standards. If you are unfamiliar with proper electrical wiring connections obtain the services of a qualified electrician.

Remove the fixture and the mounting package from the box and make sure that no parts are missing by referencing the illustrations on the installation instructions.

### ASSEMBLY AND INSTALLATION

1. Thread the screw (8) and hex nut (9), and attach to the mounting plate (6).
2. Secure the mounting plate(6) to the outlet box (1) with mounting screws (7).
3. Pull out the outlet wire and ground wire from the outlet box(1). Make wire connections
  - Ribbed/White wire (w/o marking) from light to White wire(2) from power source.
  - Smooth/Black wire (w/o marking) from light to Black wire(3) from power source.
  - Loop the ground wire to mounting plate(6) with a green screw(5).
4. Attach the back plate (11) to the mounting plate(6) by inserting the screw, then secure with the cylinder nut (10).
5. Install bulbs: (bulbs not included)  
(Do not exceed the maximum capacity recommended on the socket).
6. Align the opening of the glass shade(13) with the lamp cup on the lamp body(12), and rotate the glass to secure it onto the lamp cup.
7. Seal the fixture by putting silicone (not included) around the back plate.



INSTALLATION IS NOW COMPLETED